



IM350+ Lithium

IMPORTANT!
DO NOT DESTROY

Always refer to operating and safety instructions (#905920 & #014744) for detailed information on this tool. It is the customer's responsibility to have all operators and service personnel read and understand this information.

TOOL SCHEMATIC AND PARTS

PARTS LEGEND

1	902285	1	Grille, Black	53	404464	2	Rubber Stop
2	900315	1	Filter	54	404424	1	Reed Valve
3	900902	3	Screw, Thread Forming Sems 8-32 x 5/8	55	404422	1	Muffler
4	902637	1	Limiter	56	404423	1	Muffler Cover
5	902644	1	Fan Motor Assembly, includes Motor Mount	57	902227	1	Utility Hook Button
6	900468	1	Washer, Motor Shaft	58	900596	3	Screw Thread Forming Sems 8-32 x 7/16
7	901063	4	Shoulder Screw 10-24 x 1-1/2	59	403816	2	Socket Head Capscrew 10-24 x 1-1/8
8	401340	1	Stem adapter	60	404445	2	Bushing, Shear Block
9	401356	1	Motor Sleeve	61	902249	1	Wear Plate, Nose
10	900286	1	Spark Plug Assembly, includes O-Ring	62	901249	1	Upper Probe
17	014880	1	Cylinder Head	63	902225	1	Lower Probe
18	900935	2	Seal Ring	64	900592	2	S.H.C.S. Sems 10-32 x 1/2
19	403167	1	Fan Blade Assembly	65	401380	1	Tie Bar
20	902604	1	Spark Unit Assembly	66	902211	1	Fuel Pivot Arm
21	902625	1	Molded Circuit Assembly	67	905603	1	Housing Assembly
22	900478	1	Spark Plug Assembly Wire	68	902237	1	Utility Hook
23	900231	1	Clip, Wire Spark Plug	69	905913	1	Label, Paslode® , Left
■ 24	403987	2	Screw Thread Forming 6-32 x 1/4	70	905615	1	Label, Silver, Left
25	902606	1	Handle Assembly Kit - Right & Left	71	902240	1	Retainer Ring, Sleeve
26	404448	1	Roller Lever Assembly	▲ 72	900593	3	S.H.C.S. Sems 10-24 x 5/8
27	404702	2	Screw Thread Forming 6 x 3/8	73	403985	1	Follower
28	404436	1	Nail Channel	74	900520	1	Follower Bushing Spring Assembly
29	902623	1	Cover Plate Magazine	75	901202	1	Retaining Ring
30	901222	2	Shoulder Screw 10-32 x 1/2	76	403986	1	Spring Pin
31	902206	1	Cap, Black	77	902204	1	Follower Guide
32	404412	1	Wear Plate, Chamber Lock	78	902205	1	Follower Button
33	900453	4	Screw Plastite 8-16 x 7/8	79	404457	1	Spring
35	905921	1	Magazine Channel	80	904571	2	Foam Pad
■ 36	900594	4	S.H.C.S. Sems 8 - 32 x 1/2	81	902619	1	Probe Release
37	901241	1	Stop, Cage	82	902620	2	Button, Probe Release
38	404451	1	Lockout Bar, Follower	83	404426	1	Exhaust Baffle
39	902262	1	Shear Block	84	404425	1	Reed Plate
40	901238	1	Spring, Flat	■ 85	900969	4	Torx Screw 8-32 x 5/8
41	404435	1	Trigger	86	900481	1	O-Ring
42	900269	1	Chamber Lock Bar	87	902222	1	Combustion Chamber Ring
43	404927	1	Spring, Trigger	88	404407	1	Combustion Chamber
44	401328	1	Retainer ring	89	900595	2	Torx Screw Sems 8-32 x 3/8
45	401461	2	Piston Ring	91	905902	1	Nameplate
46	404485	1	Piston Assembly, includes rings	92	900427	1	Light Pipe
47	902233	1	Combustion Chamber Assembly	93	905915	1	IM350+ Lithium Label
48	404827	2	Pin	94	404411	2	Spring
49	905601	1	Bumper	95	900546	1	Brass Insert
50	902239	1	Spring	96	900597	1	Screw Thread Forming Sems 6-19 x 3/8
51	900934	2	Steel Ring, Sleeve	97	902238	1	Utility Hook Spring
52	901204	1	Sleeve Assembly, includes rings	98	902213	1	Pin Fuel Arm Pivot
				99	014882	1	Fuel Door Assembly
				100	905914	1	Label, Paslode® , Right
				101	905614	1	Silver Label, Right

SAFETY INSTRUCTIONS

WEAR EYE AND HEARING PROTECTION

Replace if necessary. Label is available at no charge through the Service Department.

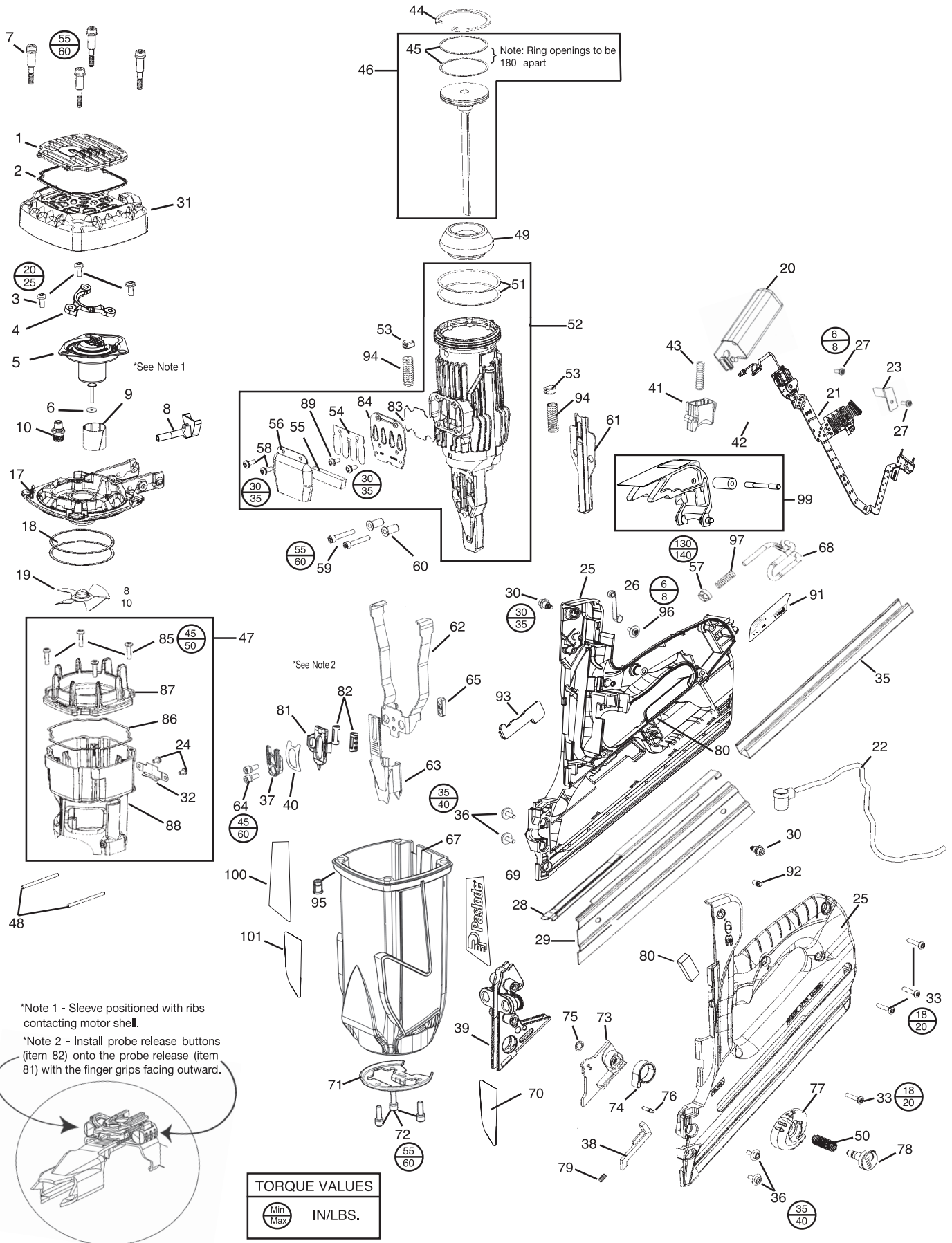
- ▲ Apply Loctite 242 (Blue) Part No. 093500.
- Apply Loctite RC-620 (Green) Part No. 401491
- Denotes new change.



Always wear hearing protection and eye protection devices, including side shields when operating or working in the vicinity of a tool.

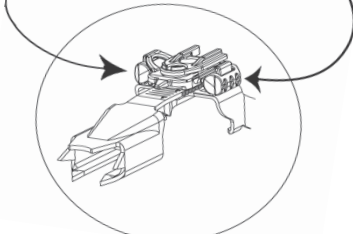
WARNING

All parts must be periodically inspected and replaced if worn or broken. Failure to do this can affect the tool's operation and present a safety hazard.



*Note 1 - Sleeve positioned with ribs contacting motor shell.

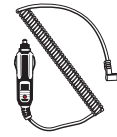
*Note 2 - Install probe release buttons (item 82) onto the probe release (item 81) with the finger grips facing outward.



ACCESSORIES

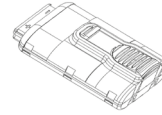
Car Adapter

Enables you to re-charge your battery with your vehicle's electrical system.



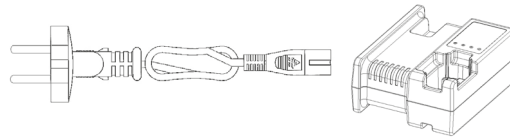
Part No. 900507

Battery Cell



Part No. 018880

Battery Charger



Part No. 018881 (EU)
Part No. 018882 (UK)

Cable



Part No. 018885 (EU)
Part No. 018886 (UK)

Paslode Cordless Lubricating Oil



Part No. 401482

5/32" Hex Key

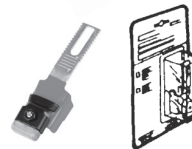
For clearing jams and servicing.



Part No. 401331

No-Mar Work Contacting Element

Rubber tipped WCE to eliminate marring work surface.
Replacement rubber tip, Part No. 210610



Part No. 012082

Paslode Cordless Nailer Case



Part No. 905607

Clear Safety Glasses



Part No. 014121

Cordless Tool Cleaner

Ideal cleaner for all Paslode® tools.



Part No. 115251



An Illinois Tool Works Company
Route de Lyon - BP 104
F - 26501 Bourg Les Valence - Cedex France
