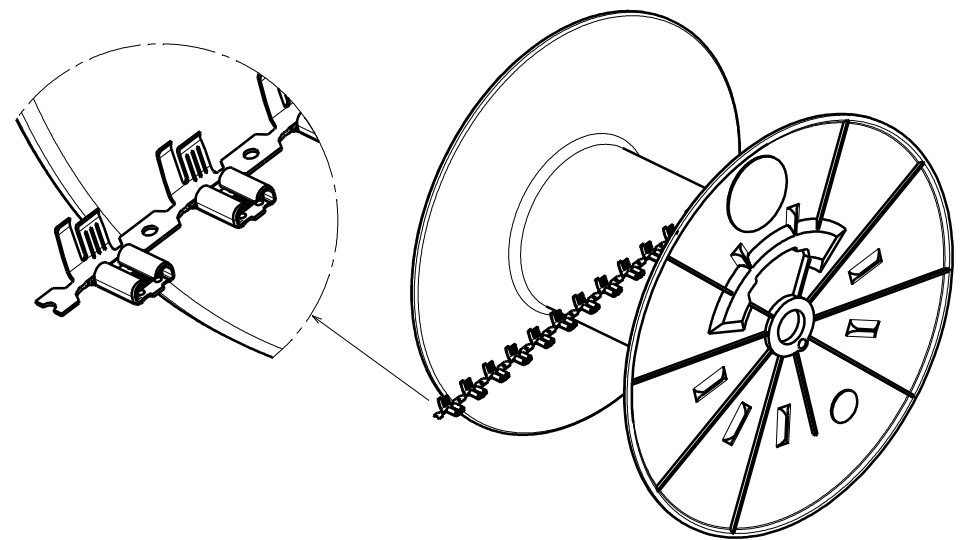
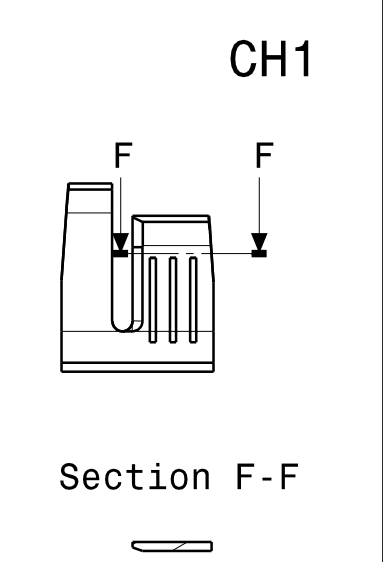
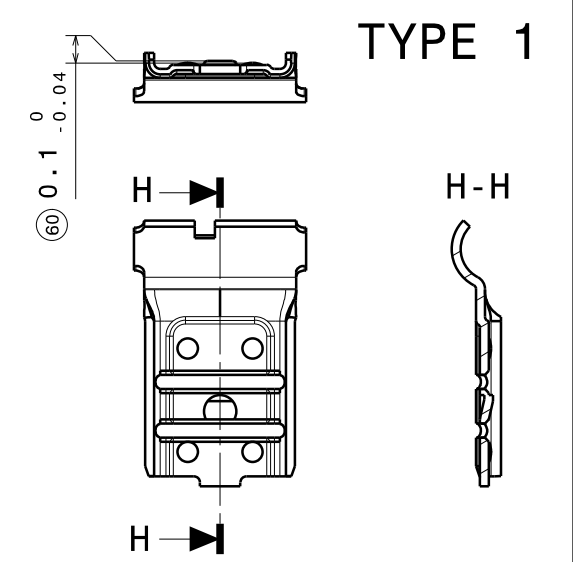
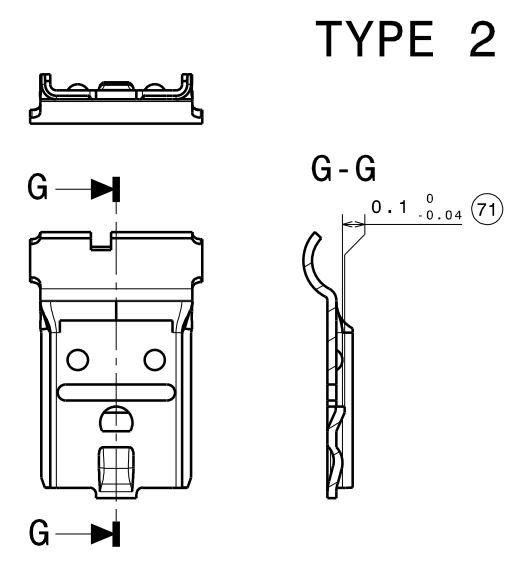
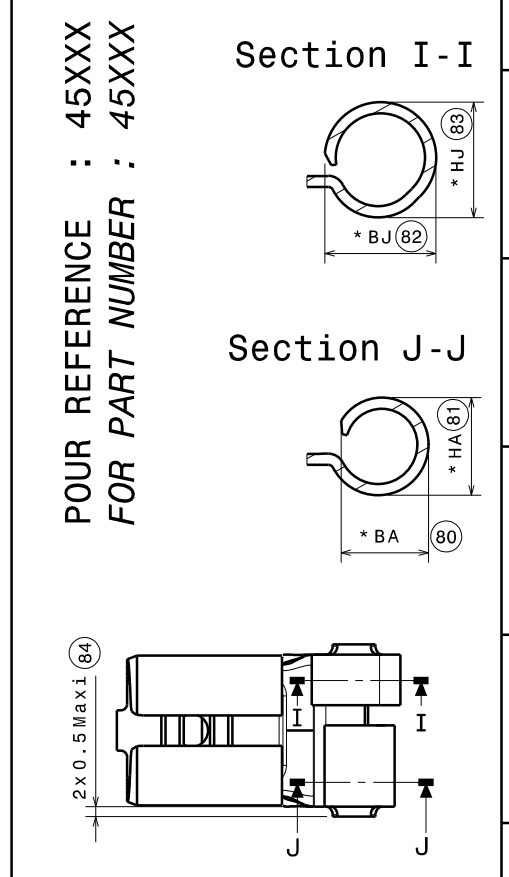
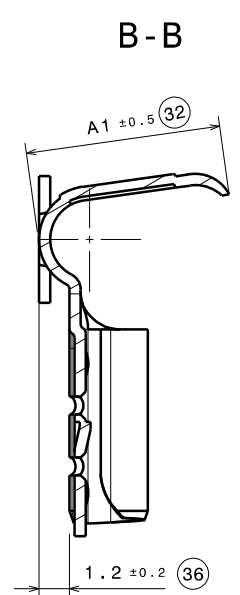
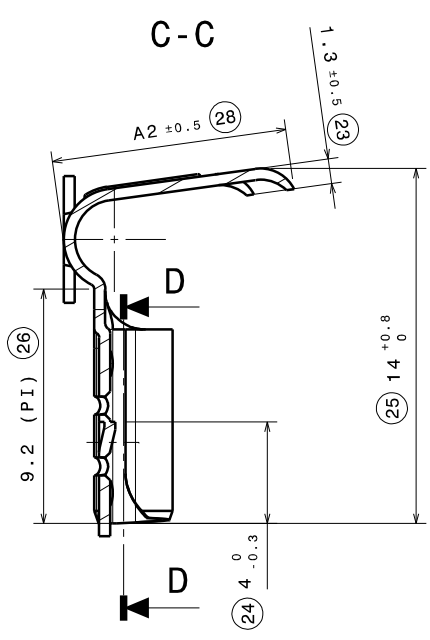
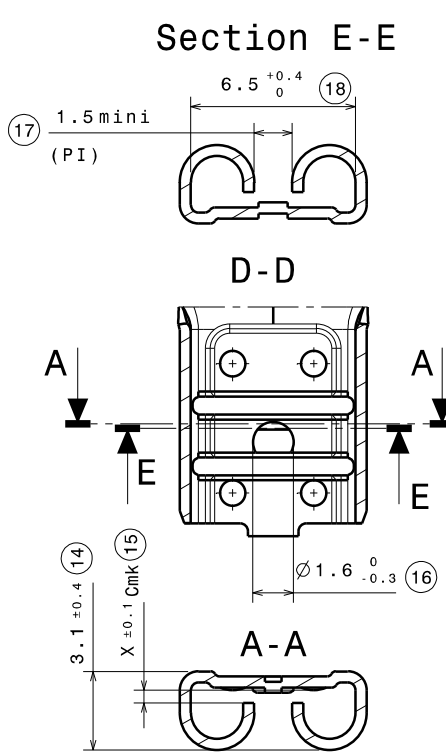
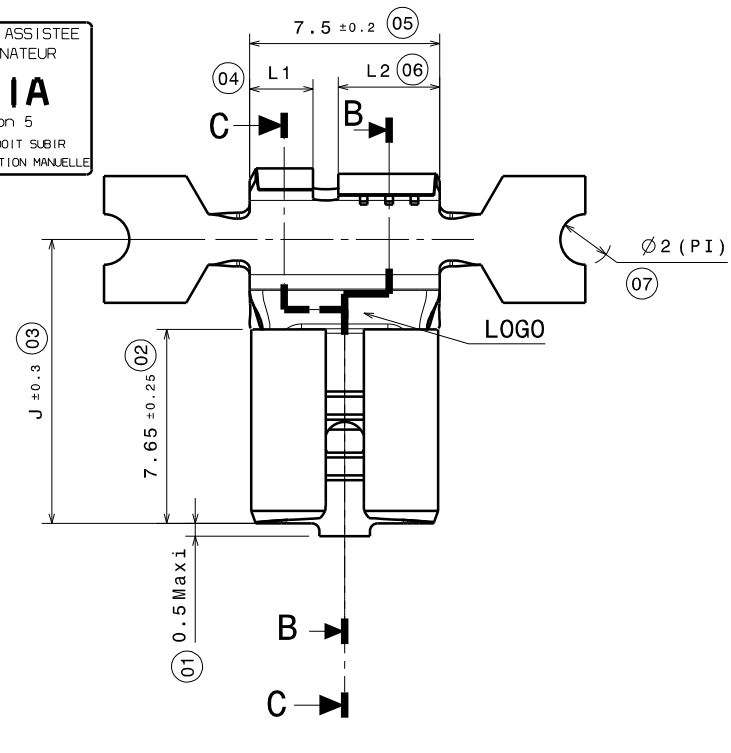


CONCEPTION ASSISTEE  
PAR ORDINATEUR  
**CATIA**  
Version 5  
CE PLAN NE DOIT SUBIR  
AUCUNE MODIFICATION MANUELLE



25785	05785	45785	1/2.5mm2	4	2.5	11.2	9	10.8	3.45	3.85	4.55	4.40	0.55	4	1	YES	20
22072			1/2.5mm2	4	2.5	11.2	9	10.8					0.55	4	1	NO	19
25319	05319		0.5/1.5mm2	4	2.5	11	7.5	8.8					0.55	3	1	NO	19
25049			0.5/1.5mm2	4	2.5	11	7.5	8.8					0.55	3	2	NO	19
25048			0.5/1.5mm2	3.6	2	11	7.5	8.8					0.55	3	1	YES	19
25039		45039	0.5/1.5mm2	4	2.5	11	7.5	8.8	3.70	3.40	4.35	3.90	0.55	3	2	NO	19
22230			0.5/1.5mm2	3.6	2	11.2	7.5	10.7					0.65	3	1	YES	19
22076			0.5/1.5mm2	4	2.5	11	7.5	8.8					0.65	3	1	NO	19
22042			0.5/1.5mm2	3.6	2	11.2	7.5	10.7					0.55	3	1	YES	19
BANDE/BAND	VRAC/BULK	PART NUMBER	SECTION	L2±0.2	L1±0.2	J	A1	A2	HA	BA	HA	BJ	X	NOMBRE DE STRIES NUMBER OF GROOVES	TYPE	CH1	PAS/STEP

417	031	DC04	Post Ni3
213	042	CuSn6	Post Ag3
213	011	CuSn6	Post Sn3
213	004	CuSn6	Brut/raw
213	009	CuSn6	Brut/raw
123	211	CuZn30	Post Sn3 recuit/annealed
123	241	CuZn30	Post Ag1 recuit/annealed
123	204	CuZn30	Brut recuit/annealed
123	178	CuZn30	Sn2
123	009	CuZn30	Brut/raw
Material Code	Treatment	Material	Treatment Designation

SERRATION ACCORDING TO :	DRAWING	CHART
CONDUCTOR CLAW CHAMFER ACCORDING TO :	26000 I7	1-2 and 3
INSULATOR CLAW CHAMFER ACCORDING TO :	26000 I7	4
LOGO :	25000 Folio 3	Size 1
SMUDGES ACCORDING TO :	NF E81-010 class B	
NOT DIMENSIONED RADIUS :	R0.3 0/-0.3	
THICKNESS :	0.44	

DEROULEMENT SE05  
UNWIDING SE05

(M) : COTE POUVANT ETRE MODIFIEE - DIMENSION COULD BE MODIFIED  
 (Δ) : CARACTERISTIQUES FONCTIONNELLES - FUNCTIONAL CHARACTERISTIC  
 (Ind) : INDICE DE MODIFICATION - MODIFIED ITEM  
 < > : NON CONFORMITE ACCEPTABLE. LA COTE D'ORIGINE EST SEULE VALABLE EN CAS DE RECLAMATION, DE REPARATION OU DE CONSTRUCTION D'OUTILLAGE. ACCEPTABLE NONCONFORMITY. ONLY THE ORIGINAL DIMENSION IS VALID IN CASE OF TOOL CONSTRUCTION, REPAIRING OR QUALITY COMPLAINT.  
 Cm Cmk : COTES SOUMISES A CAPABILITE INITIALE - INITIAL CAPABILITY  
 Cp Cpk : COTES SOUMISES A CAPABILITE EN PRODUCTION - PRODUCT CAPABILITY  
 SPC : COTES SOUMISES A UN SUIVI SPC - SPC CONTROL  
 (PI) : POUR INFORMATION - FOR INFORMATION

LA COTATION EST EFFECTUEE SUIVANT L'EXIGENCE D'ENVELOPPE DIMENSIONING IS PERFORMED ACCORDING TO SURROUNDING REQUIREMENT ISO 8015:1985 (NF E 04-561 OCT.1991)

ISO 1101 (NF E 04-552)  
 ISO 2692:1988 (NF E 04-555 FEV.1992)  
 ISO 5459 (NF E 04-554 DEC.1988)  
 ISO 5458:1987 (NF E 04-559 FEV.1991)  
 ISO 10578 (NF E 04-558 AOUT 1983)  
 ISO 10579 (NF E 04-565 OCT.1986)  
 ISO 3040:1990 PARTIELLE (NF E 04-557 DEC.1991)

**ATTENTION : LES COPIES NE SONT PAS GEREES, SEUL LE FICHER INFORMATIQUE FAIT FOI**  
**CAUTION : THE COPIES ARE NOT MANAGED, ONLY THE COMPUTER FILE IS VALID**

05	12000M025	26/11/12	70022-02-G01	02	DJ	JS
04	12000M020	05/11/12	70022-02-G01	02	DJ	JS
03	12000M015	04/10/12	70022-02-G01	02	DJ	JS
02	12000M014	17/09/12	70022-01-G01	01	JC	JS
01	12000M007	23/05/12	70022-01-G01	01	JC	JS
Draw Index	Modif.Nb	Date	Part name	Part index	Name	Verif
Project	XXXX					A2

ALL FEATURES NOT DEFINED ON DRAWING MUST BE OBTAINED FROM MATH MODEL WITH 0.0 APPLIED  
 General tol. NFT5800 classe normale ISO 2768-m  
 Wire range: see chart  
 Volume: See chart  
 Weight: See chart



CLIP DRAPEAU 6.3x0.8/90  
 FLAG RECEPTACLE 6.3x0.8/90

Scale: 5/1

70022 - K1 - 05

