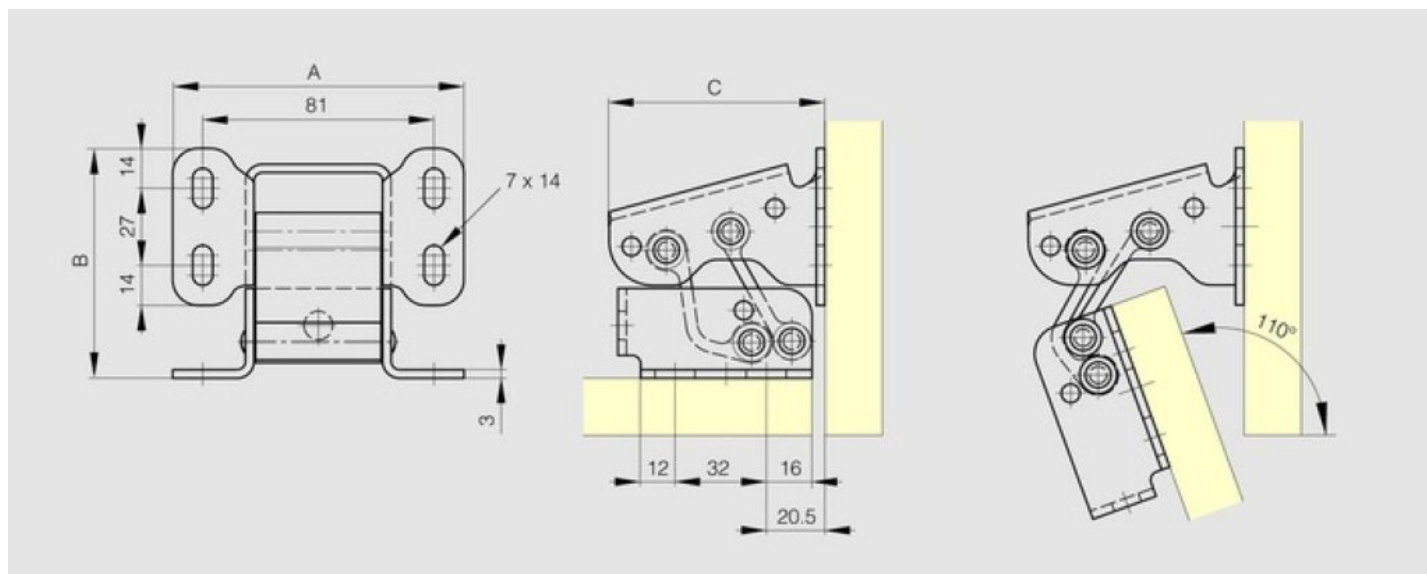


Concealed hinge - 110° opening

Model : 70-1-3557



Heavy duty concealed hinge.
Tested to 10,000 cycles using 2 hinges with a door weight of 25 kg measuring 1 m x 1 m.
Links in anodised aluminium.



Finish	zinc plated
Functions	concealed
B (width)	80.5
C	76
Opening angle	110
A (length)	102
Weight (g)	520
Material	steel
Material	steel