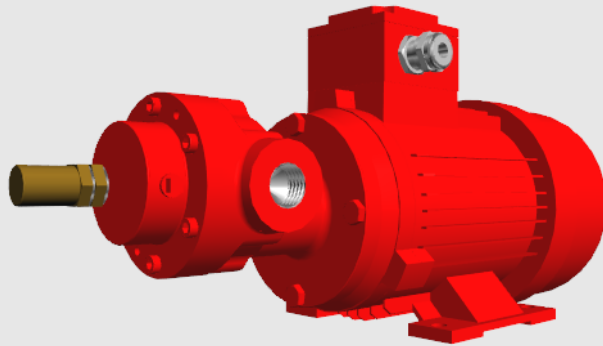
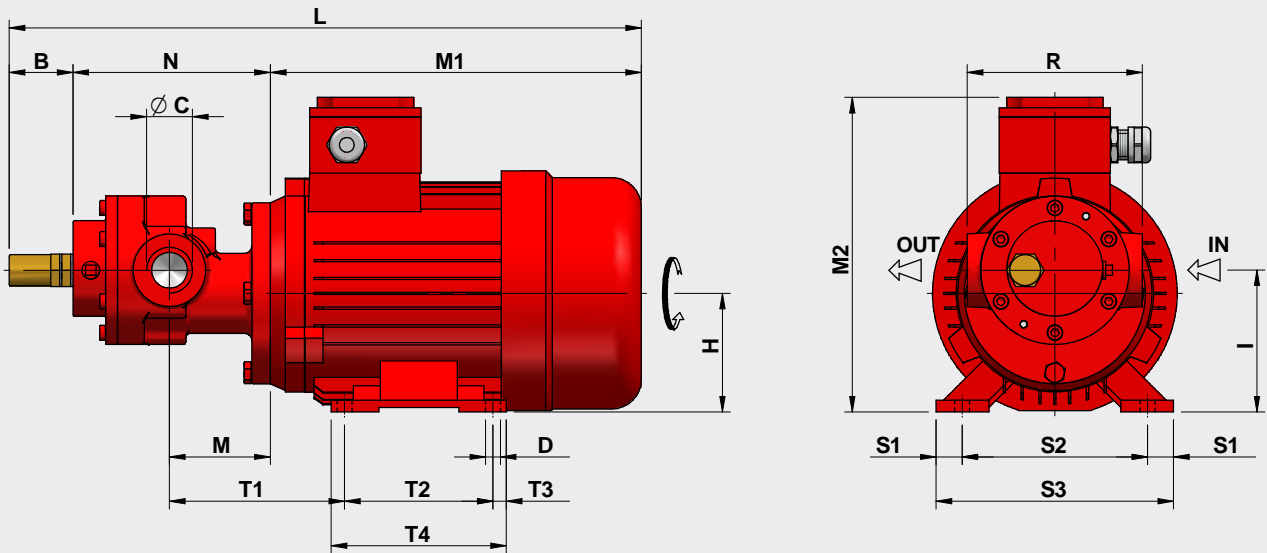


FT FM 40 - 70

Gruppi pompa monoblocco ad ingranaggi FT FM 40 - 70 tenuta meccanica singola
Monobloc gear pump sets FT FM 40 - 70 single mechanical seal



Dimensioni di ingombro FT FM 40 - 70

FT FM 40 - 70 outline dimensions

Type	4 poles IEC motor size	Dimensioni in mm *Dimensioni indicative														Dimensions in mm *Approximate dimensions				
		B	C	D	H	I	L	M	M1*	M2*	N	R	S1	S2	S3	T1	T2	T3	T4	Wt. [kg]
FT 40	80B	47	1"	10x13	80	100	446	73	250	212	149	131	17,5	125	160	133	100	9	118	16
FM 40	90S	47	1"	10x13	90	110	458	73	262	230	149	131	17,5	140	175	143	100	11	122	18
FT 50	90S	47	1"	10x13	90	110	458	73	262	230	149	131	17,5	140	175	143	100	11	122	18,5
FM 50	90L	47	1"	10x13	90	110	483	73	287	230	149	131	17,5	140	175	129	125	11	147	23,5
FT 70	90L	47	1"	10x13	90	110	492	73	287	230	158	131	17,5	140	175	143	125	11	147	24,5
FM 70	90L	47	1"	10x13	90	110	492	73	287	230	158	131	17,5	140	175	143	125	11	147	25,5