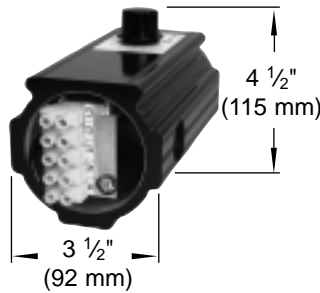


Selection

Refer to Table 1 to select the XT model best suited to your application. Note that all XT's are field convertible in minutes from externally adjustable to internally adjustable 'tamper-proof'. Just turn off the power and then simply open the cover, press down on the spring-loaded thermostat and unscrew the knob and shaft assembly. Replace this assembly with the socket-head cap screw provided as standard. When the cap screw is removed, the temperature can be adjusted using a slot-type screwdriver without having to remove the cover.

All thermostats feature a convenient terminal block mounted to a slide-out trolley.



This unique feature simplifies wiring.

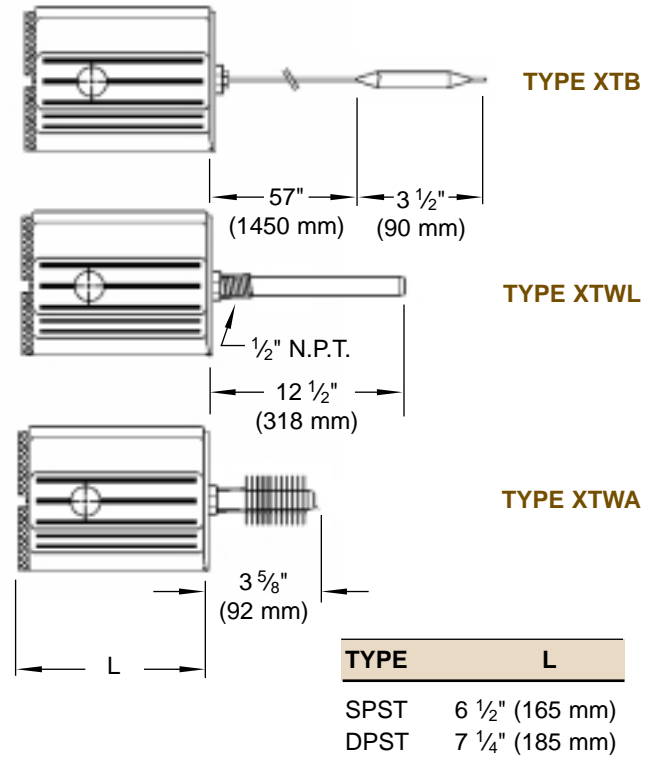


TABLE 1 - MODEL XT EXPLOSION RESISTANT THERMOSTATS

DESCRIPTION	TEMPERATURE RANGE	HAZARDOUS AREA RATING		CATALOG NO.		APPROX. WT. kg (lbs)
		Cl. 1 Gp. A,B,C,D Cl.2 Gp. E,F,G Cl.3	Cl.1. Gp C, D Cl.2 Gp E,F,G Cl.3	SPST - 15A/600V 1Ø 25A/277V	DPST - 15A/600V 3Ø	
Remote Sensing Bulb, with 57" capillary length	-18 to 40°C (0-100°F)	-	✓	• XTB04481	• XTB04483	1.7 (3.8)
	10-120°C (50-250°F)	-	✓	• XTB12481	• XTB12483	1.7 (3.8)
Bulb in Well with 1/2" NPT Fitting for Liquid Sensing	-18 to 40°C (0-100°F)	✓	✓	• XTWL04481	• XTWL04483	1.8 (4.0)
	10-120°C (50-250°F)	✓	✓	• XTWL12481	• XTWL12483	1.8 (4.0)
Bulb in Finned Well for Air Sensing	-18 to 40°C (0-100°F)	✓	✓	• XTWA04481	• XTWA04483	1.8 (4.0)
	10-120°C (50-250°F)	✓	✓	XTWA12481	XTWA12483	1.8 (4.0)
For XB heaters, use as an add-on Kit, Well Assembly provided	-18 to 40°C (0-100°F)	✓	✓	• XTKW04481	• XTKW04483	0.3 (0.7)
	10-120°C (50-250°F)	✓	✓	XTKW12481	XTKW12483	0.3 (0.7)
For CX and XGB heaters, use as an add-on Kit, with 8" capillary	-18 to 40°C (0-100°F)	-	✓	• XTKB04481	XTKB04483	0.2 (0.5)
	10-120°C (50-250°F)	-	✓	XTKB12481	XTKB12483	0.2 (0.5)

Options

- 70°C to 280°C (150°F to 550°F) and 160°C to 370°C (300°F to 700°F) temperature ranges
- other cover styles
- series 2 housing construction (4 3/8" I.D.)
- various housing lengths up to 1220mm (48") with contactor and transformer

• Normally stocked

- multiple thermostats in one housing
- custom conduit entry size and location
- other finish options
- capillary protected with flexible armoured cable
- nickel plated or S.S. bulb and capillary

To Order

Specify quantity, catalog number, area classification and special features (consult factory).