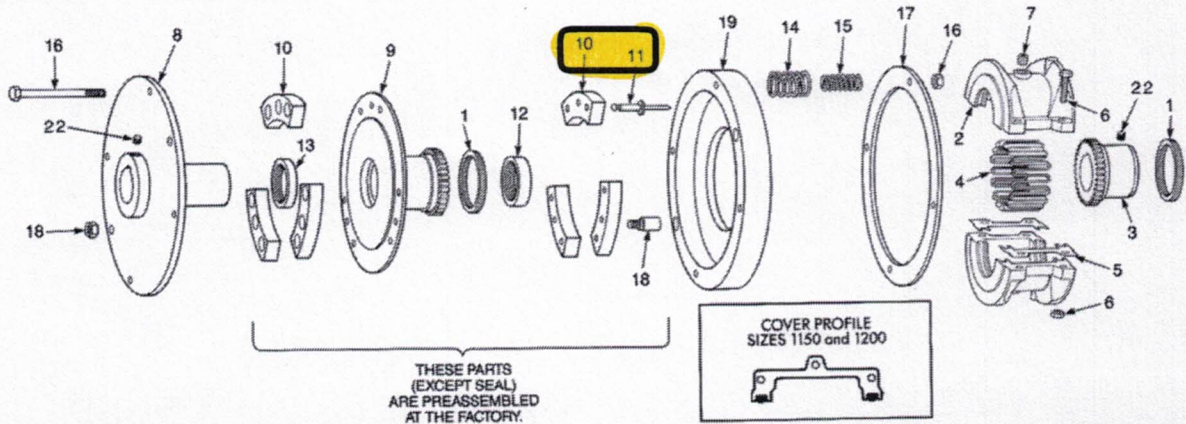


**Part Descriptions — Type T41
Controlled Torque Coupling**


- | | | |
|---|--|--------------------------------------|
| 1. Seal (T10) | 8. T41 Hub (Specify Bore & Keyway) | 16. Fastener and Adjusting Nut |
| 2. Cover (T10) | 9. T41 Sleeve * | 17. Guide Ring |
| 3. T Hub (Specify Bore & Keyway) | 10. Friction Segment † | 18. Drive Pin and Nut |
| 4. T Grid | 11. Rivet † | 19. Drive Plate |
| 5. Gasket (T10) | 12. Bearing, Outer | 22. Setscrew (Size 1020T thru 1090T) |
| 6. Fasteners (T10) — Coupling may be supplied with one set each of inch series fasteners and metric fasteners | 13. Bearing, Inner | |
| 7. Lubrication Plug | 14. Spring, Outer (not required for T41-2) | |
| | 15. Spring, Inner (T41 & T41-2) | |
- ★ Part 9 is available only in assembly with Parts 10 through 13; however, Parts 10 & 11, and Parts 12 & 13 may be purchased without Part 9.
 † Friction segments with rivets consist of a complete set for a coupling and are available only as sets.

Order Information

- Identify part(s) required by name above.
- Furnish following information.

EXAMPLE:

Coupling Size: 1030
 Coupling Type: T41
 T Hub Bore: 1.375
 T Hub Keyway: .312 x .156
 T41 Hub Bore: 1.250
 T Hub Keyway: 250 x .125

- Price parts from 102-101 and discount sheet.

**Part Descriptions — Type T41
Controlled Torque Coupling**
