



**JOUKA**

Ø125

Ø165

**Valves you can trust**

**Ball valves | Actuators**



Quality. Design. Respect .....	3
Process Industry .....	4
Paper Industry.....	5
Marine Industry.....	6
Chemical Industry .....	7
Machinery and Hydraulics .....	8
Vehicles.....	9
Aluminium valves .....	10–11
Steel and stainless steel valves .....	12–13
Sample taking valves.....	14
Ball valve type selection .....	15
Jouka Joline Actuators .....	16
Valves with actuators.....	17
LNG .....	18
Tailor-made subcontracting products. ....	19

# Quality

High Quality is a result of continuously improving and long experience.

Established in 1957, Jouka Inc. designs and manufactures a wide range of high-quality ball valves in its Ylöjärvi factory situated near Tampere, Finland. Using feedback and ideas from our customers, we strive to continuously develop the quality of our products. Depending on customer need, we can supply pneumatic, hydraulic and electrical actuators to further enhance the performance of our valves. Jouka also offers subcontracting services for metal pressing, machine part manufacture and deep drawing.

# Design

Valve solutions to meet customer needs using standard valve components.

# Respect

Our relationships with customers, employees and the environment are built on two things: trust and respect.



In accordance with the EU Pressure Equipment Directive (PED), all Jouka valves carry a barcode that allows the valve to be easily traced and contains information on the manufacturing process and the materials used.

Thanks to its lightweight and modular construction, the Jouka aluminum valve is well known as an economical solution.

Jouka manufactures valves from a variety of special materials to meet the needs of our customers. For example, valves can be manufactured from stainless steel, duplex steel or Hastelloy. In addition, Jouka can supply valves fitted with chromium-coated balls for extreme and demanding conditions.

Jouka offers customers full life-cycle support starting from initial design services to the supply of spare parts for even the oldest of valves. A key element of our company philosophy is that Jouka valves must be very easy to service and repair. For example, Jouka valves can be removed from a pipeline without having to remove the flanges.

# Process Industry

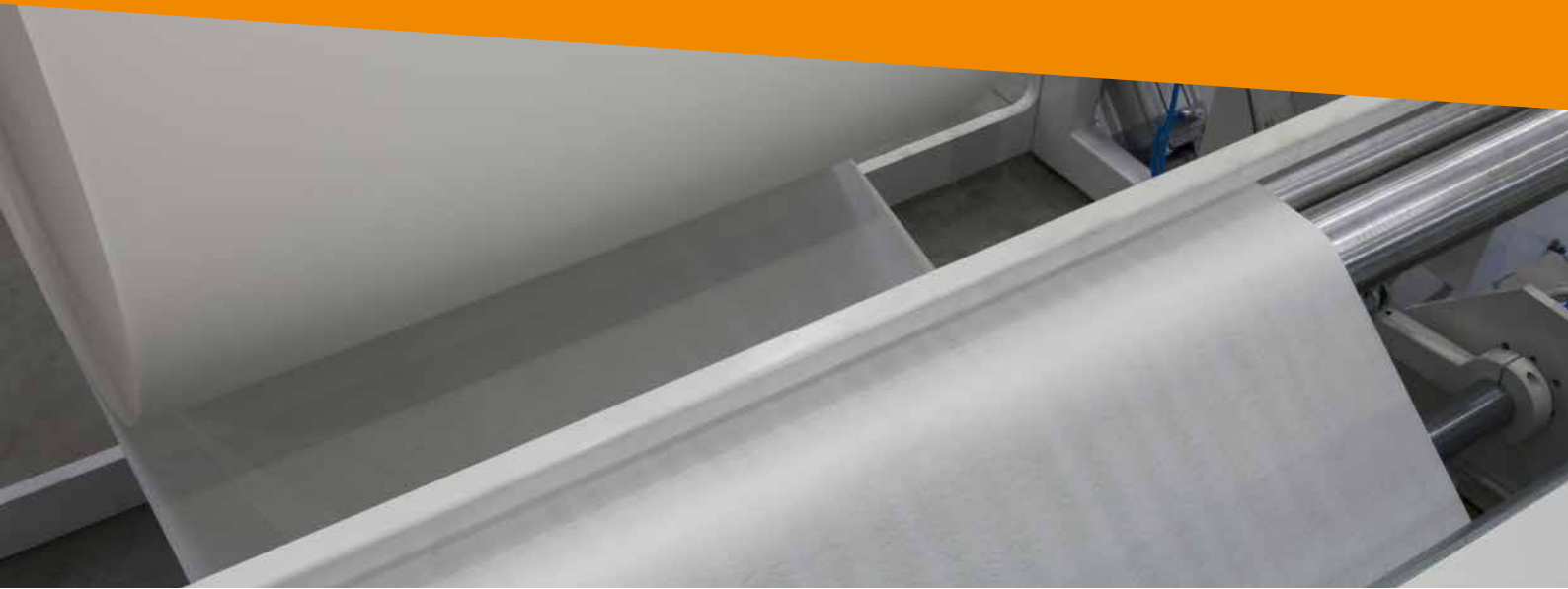


Jouka develops and supplies safety valve solutions for the process industry. For over 60 years, Jouka has been helping customers find the most cost-effective tailor-made and standard valve solution for their particular application. For process industry

customers, we supply valves manufactured from duplex steel with a specially designed filler sealing to prevent blockage of the valve housing by the processing medium. Jouka also supplies 3-way and V-drilled valves for process industry applications.



# Paper Industry



For the paper industry, Jouka delivers sample-taking valves and valves fitted with wear-resistant stellite seals. These robust and reliable valves can be connected directly to a main pipe. Developed especially for use with fibrous media, the stellite seals can also be fitted to standard

valves. Conditions in the paper industry are often demanding with very high temperatures and very abrasive media. To meet these demanding conditions, Jouka supplies valves fitted with stellite seals and hard chrome-plated balls.



# Marine Industry



The extensive material portfolio and the reliable tailor-made valve solutions offered by Jouka are very much appreciated by our customers from the marine and offshore industries. The valves supplied to these industries are manufactured from aluminum, carbon steel, stainless steel, duplex steel, titanium and

elastomeric materials. In the marine industry, valves made from elastomeric plastic are especially suited for applications involving medium salinity seawater. Approval by various classification societies can be sought on customer request.



# Chemical Industry



The materials and seals used in the manufacture of Jouka valves fulfill the requirements of all media used in the chemical industry. Based on our many decades of experience, Jouka valves have been developed to meet the highest quality requirements

of the chemical industry. For demanding chemical industry applications, valves made from special materials such as duplex steel, Hastelloy, titanium and elastomeric plastics are also available.



# Machinery and Hydraulics



Thanks to our many years of experience in the field of machinery and hydraulics, Jouka valves can be tailor-made according to the exact requirements of the customer. Reliability and ease of installation are the key advantages of Jouka valves. To ensure the optimum solution for your application, we provide

different configurations of SAE flanges and hose connectors. In addition, Jouka also manufactures special connectors that can be used for attaching to direct receivers in addition to complete subassemblies.



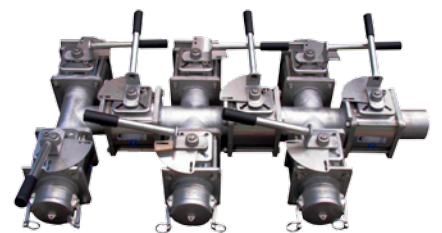


# Vehicles

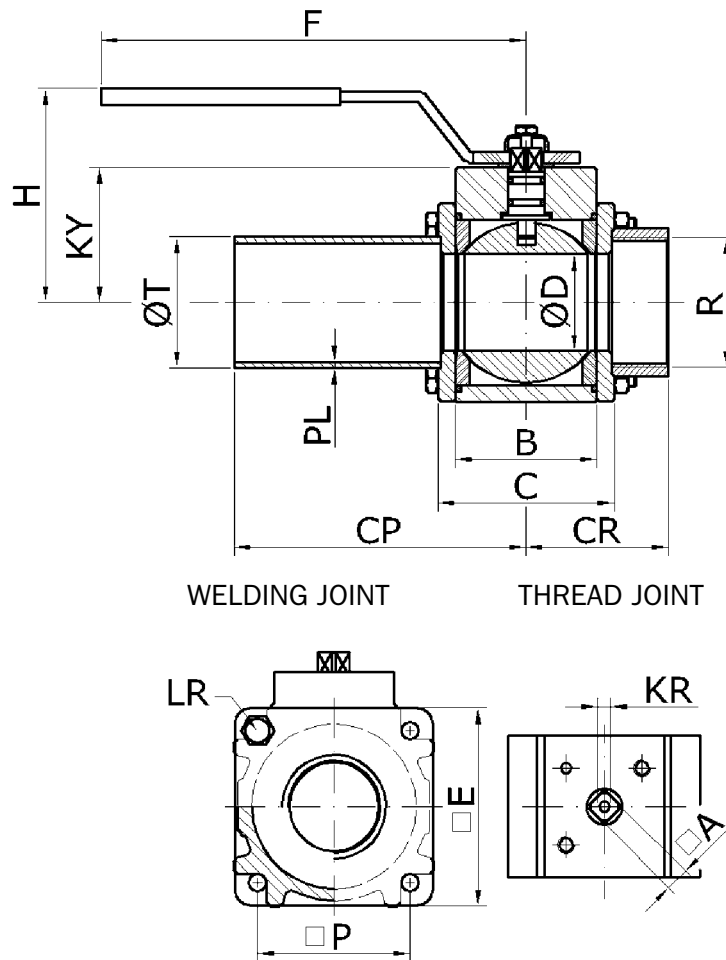


For many decades, Jouka aluminum valves have been used in vehicles in Finland and abroad. Jouka aluminum valves are a reliable solution for vehicles where weight and tailored solutions are key drivers. Designed for use with different media, Jouka also

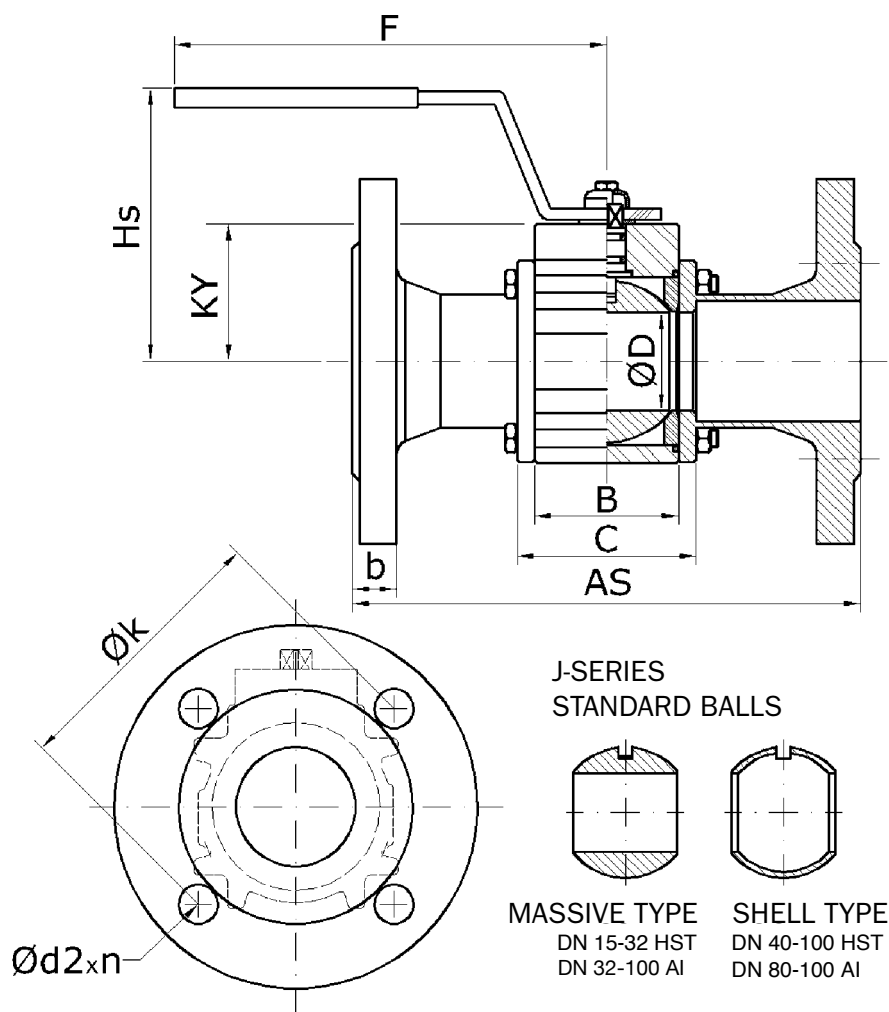
delivers acid-resistant steel valves. For many years, we have manufactured lightweight DN100 aluminum valves fitted with stainless steel or hard chromed-coated balls for very demanding applications such as sewage suction units.



# Aluminium valves



NOMINAL SIZE DN												
mm	in	D	PN	A	B	H	E	F	R	KY	P	KR
20	3/4	25	25	11	36	60	61	150	3/4"	40	46	M6
25	1	25	25	11	36	60	61	150	1"	40	46	M6
32	1 1/4	32	25	11	50	90	74	200	1 1/4"	53	57	M6
40	1 1/2	48,5	25	11	65	100	91	200	1 1/2"	62	70	M6
50	2	48,5	25	11	65	100	91	200	2"	62	70	M6
65	2 1/2	55	16	14/17	77	160	112	260	2 1/2"	74	86	M8
80	3	67	16	14/17	90	165	124	260	3"	81	97	M8
100	4	90	16	14/17	126	190	167	260	4"	106	129	M8
100	4	100	16	14/17	126	190	167	260	4"	106	129	M8



						DIN 2633 PN16						
LR	C*	CP*	T	PL*	CR*	AS	d2	n	k	b	Hs	PKY
M8	52	121	26,9	2,3	43	150	14	4	75	18	75	1
M8	52	121	33,7	2,6	46	160	14	4	85	18	75	1
M8	66	128	42,4	2,6	56	180	18	4	100	18	110	1,5
M8	81	136	48,3	2,6	67	200	18	4	110	18	100	2,4
M8	81	136	60,3	2,9	69	230	18	4	125	20	100	2,6
M10	101	146	76,1	2,9	81	290	18	4	145	18	125	4,3
M10	114	152	88,9	3,2	94	310	18	8	160	20	135	5,8
M12	150	170	114,3	3,2	117	350	18	8	180	20	130	10,8
M12	150	170	114,3	3,2	117	350	18	8	180	20	130	10,8

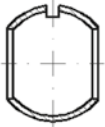
\*Measures are normative for steel pipe joints.

# Steel and stainless steel valves

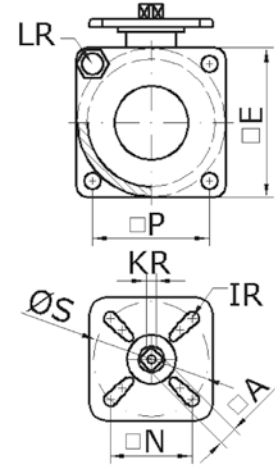
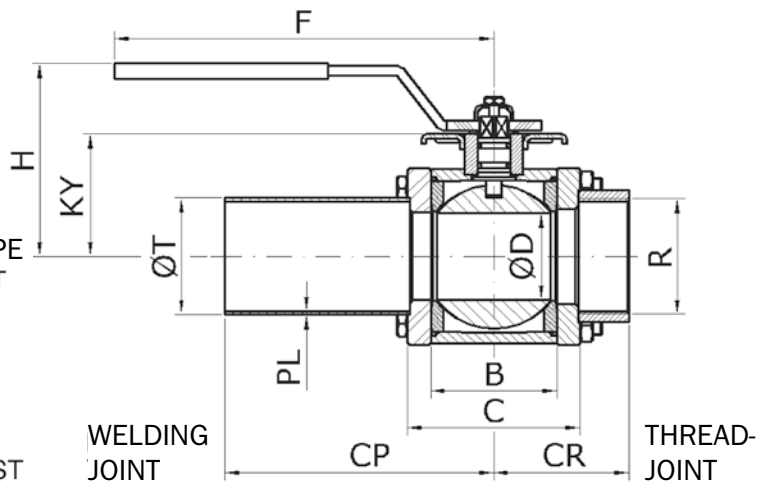
H/K-SERIES  
STANDARD  
BALLS



MASSIVE TYPE  
DN 10-32 HST

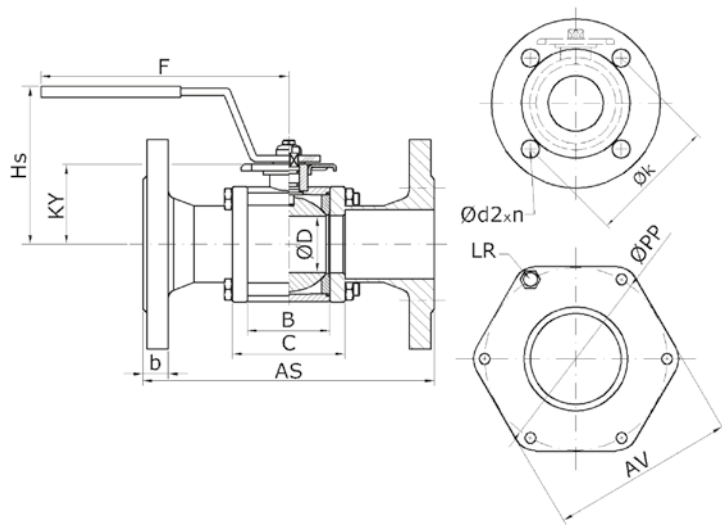


SHELL TYPE  
DN 40-200 HST



NOMINAL SIZE DN		D	PN	ISO														
mm	in			5211 F	A	B	H	E	F	R	KY	P	KR	LR	PP	AV	C*	
10	3/8	15	25	05	11	30	50	47	150	3/8"	31	32	M6	M6	-	-	42	
15	1/2	15	25	05	11	30	50	47	150	1/2"	31	32	M6	M6	-	-	42	
20	3/4	25	25	05	11	36	60	61	150	3/4"	39	46	M6	M8	-	-	51	
25	1	25	25	05	11	36	60	61	150	1"	39	46	M6	M8	-	-	52	
32	1 1/4	32	25	05,07	11	50	90	74	200	1 1/4"	54	57	M6	M8	-	-	66	
40	1 1/2	48,5	25	05,07	11	65	100	91	200	1 1/2"	63	71	M6	M10	-	-	85	
50	2	48,5	25	05,07	11	65	100	91	200	2"	63	71	M6	M10	-	-	85	
65	2 1/2	48,5	16	05,07	11	65	100	91	200	2 1/2"	63	71	M6	M10	-	-	85	
65	2 1/2	55	16	07,10	17	77	165	112	260	2 1/2"	73	86	M8	M10	-	-	101	
65	2 1/2	67	16	07,10	17	90	170	124	260	2 1/2"	81	97	M8	M10	-	-	114	
80	3	67	16	07,10	17	90	170	124	260	3"	81	97	M8	M10	-	-	114	
80	3	80	16	07,10	17	116	185	152	260	3"	94	115	M8	M12	-	-	140	
100	4	80	16	07,10	17	116	185	152	260	4"	94	115	M8	M12	-	-	140	
100	4	90	16	10,12,14	17	126	205	167	310	4"	103	129	M8	M12	-	-	158	
100	4	100	16	10,12,14	22	136	220	202	310	4"	111	-	M8	M12	200	202	168	
125	5	100	16	10,12,14	22	136	220	202	310	-	111	-	M8	M12	200	202	168	
125	5	125	16	10,12,14	22	164	240	235	310	-	132	-	M8	M16	220	235	204	
150	6	125	16	10,12,14	22	164	240	235	310	-	132	-	M8	M16	220	235	204	
150	6	150	16	10,12,14	27	186	315	272	*	-	167	-	M8	M20	272	275	226	
200	8	150	16	10,12,14	27	186	315	272	*	-	167	-	M8	M20	272	275	226	
200	8	200	16	10,12,14	27	242	351	366	*	-	206	-	M8	M20	351	366	282	
250	10	250	10	12,14,16	36	303	*	466	*	-	270	-	M8	M24	442	466	359	
300	12	300	10	12,14,16	36	356	*	542	*	*	308	*	M8	M24	515	542	415	

\*hand wheel with gear



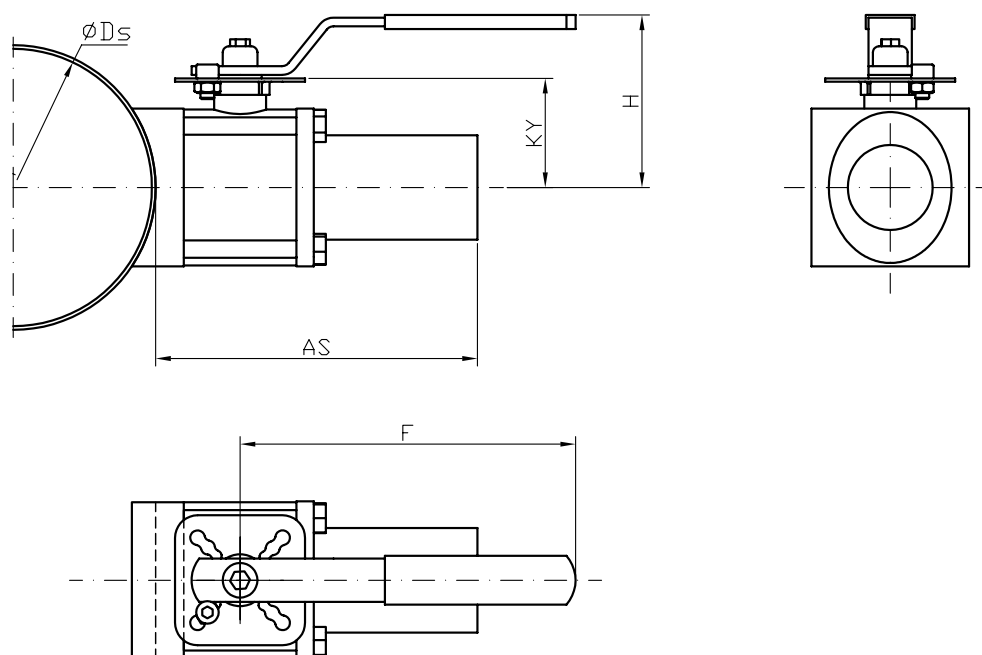
ISO 5211	IR	N	S
F05	M6	35,4	50
F07	M8	49,5	70
F10	M10	72,1	102
F12	M12	88,4	125
F14	M16	99	140

R = inside thread  
P = welding joint, long (standard)  
D = DIN-flange  
O = middle part (without joints)

CP*	T	CR*	PL		DIN						WEIGHTS (Kg)					NOMINAL SIZE DN	
			H	K	AS	d2	n	k	b	Hs	R	P	T	D	I	mm	in
115	17,2	45	1,6	2	130	14	4	60	16	70	0,6	0,7	0,6	2,0	0,4	10	3/8
115	21,3	35	1,6	2	130	14	4	65	16	70	0,7	0,7	0,6	2,2	0,4	15	1/2
120	26,9	42	1,6	2,3	150	14	4	75	18	80	1,4	1,5	1,4	3,6	0,7	20	3/4
120	33,7	45	1,6	2,6	160	14	4	85	18	80	1,4	1,6	1,4	4,0	0,7	25	1
127	42,4	54	1,6	2,6	180	18	4	100	18	115	2,4	2,6	1,9	5,5	1,0	32	1 1/4
137	48,3	64	1,6	2,6	200	18	4	110	18	125	3,5	4,0	3,6	8,3	2,0	40	1 1/2
137	60,3	68	1,6	2,9	230	18	4	125	20	125	3,5	4,1	3,7	9,4	2,0	50	2
137	76,1	72	1,6	2,9	290	18	4	145	18	125	3,7	4,2	3,7	11,2	2,0	65	2 1/2
145	76,1	80	1,6	2,9	290	18	4	145	18	165	6,3	7,0	6,4	13,6	3,7	65	2 1/2
151	76,1	86	1,6	2,9	290	18	4	145	18	170	8,6	9,6	8,9	16,4	5,1	65	2 1/2
151	88,9	89	2	3,2	310	18	8	160	20	170	8,6	9,6	8,9	18,5	5,1	80	3
164	88,9	102	2	3,2	310	18	8	160	20	185	14,3	15,1	14,7	22,5	10,3	80	3
164	114,3	102	2	3,6	350	18	8	180	20	185	14,3	15,1	14,8	24,6	10,3	100	4
173	114,3	111	2	3,6	350	18	8	180	20	205	20,0	19,8	19,0	29,3	12,5	100	4
177	114,3	116	2	3,6	350	18	8	180	20	220	23,5	23,3	22,5	32,8	15,4	100	4
177	139,7	-	2	4	400	18	8	210	22	220	-	23,3	22,5	36,5	15,4	125	5
196	139,7	-	2	4	400	18	8	210	22	240	-	-	37,8	51,8	25,7	125	5
196	168,3	-	2	4,5	480	22	8	240	22	240	-	-	37,8	53,7	25,7	150	6
207	168,3	-	2	4,5	480	22	8	240	22	315	-	-	64,8	80,7	44,3	150	6
207	219,1	-	2	6,3	457	22	12	295	24	315	-	-	65,3	87,2	44,3	200	7
236	219,1	-	2	6,3	457	22	12	295	24	315	-	-	-	115	48,0	200	7
380	273	-	2,6	6,3	895	22	12	350	26	-	-	-	-	225	115,0	250	10
408	323,9	*	3,2	7,1	950	22	12	400	26	*	*	*	*	318	172,0	300	12

\*Measures are normative for steel pipe joints.

# Sample taking valves



NIM SIZE DN	FLOW PORT D	PN	ISO 5211 F	A	AS	E	F	H	KY	T	
mm	in	$\phi$									
10	3/8	15	25	05	11	140	47	150	50	31	17,2
15	1/2	15	25	05	11	150	47	150	50	31	21,3
20	3/4	25	25	05	11	150	61	150	60	39	26,9
25	1	25	25	05	11	150	61	150	60	39	33,7
32	1¼	32	25	05, 07	11	170	74	200	90	54	42,4
40	1½	48,5	25	05, 07	11	185	91	200	100	63	48,3
50	2	48,5	25	05, 07	11	185	91	200	100	63	60,3
65	2½	48,5	25	05, 07	11	185	91	200	100	63	76,1
65	2½	55	16	07, 10	17	200	112	260	165	73	76,1
65	2½	67	16	07, 10	17	215	124	260	170	81	76,1
80	3	67	16	07, 10	17	215	124	260	170	81	88,9
80	3	80	16	07, 10	17	240	152	260	185	94	88,9
100	4	80	16	07, 10	17	240	152	260	185	94	114,3
100	4	90	16	10, 12, 14	17	255	167	310	205	103	114,3
100	4	100	16	10, 12, 14	22	265	202	310	220	111	114,3
125	5	100	16	10, 12, 14	22	265	202	310	220	111	139,7
125	5	125	16	10, 12, 14	22	300	235	310	240	132	139,7
150	6	125	16	10, 12, 14	22	300	235	310	240	132	168,3
150	6	150	16	10, 12, 14	27	325	272	□	□	167	168,3
200	8	150	16	10, 12, 14	27	325	272	□	□	167	219,1
200	8	200	16	10, 12, 14	27	380	366	□	□	206	219,1
250	10	250	10	12, 14, 16	36	555	466	□	□	270	273
300	12	300	10	12, 14, 16	36	610	542	□	□	308	323,9

Ds = Dimension given with order | A = Square size of shaft | AS-dimension (+5) | □ = Manual use

**BALL MATERIAL:**

- A = Aluminium
- H = Stainless steel (AISI 316)
- K = Hard chrome plated ball, only DN100/090
- T = Titanium
- M = Plastic (POM), other material marked with "E"
- D = Duplex (2205 / EN 1.4462)

**O-RING MATERIAL:**

- V = FPM (Viton) (Jouka standard)
- T = PTFE (Teflon)
- E = EPDM (Ethylene propylene)
- N = NBR (Nitrile)
- P = FFKM (Perlast / Kalrez)
- A = FEPM (Aflas)
- SA = stellite ball seals, FEPM (Aflas) O-rings
- SP = stellite ball seals, FFKM (Perlast/Kalrez) O-rings

**FLOW PORT DIAMETER:**

Flowport diameter (marked with three numbers)

**JOINTS:**

- R = inside thread R (BSP)
- RU = outside thread
- P = welding joint, long (standard)
- F = Smooth finished joint (for special applications)
- S = Separate flanges
- D = DIN-flanges, D1=PN16, D2=PN25, D4=PN40
- O = without joints, ball valve middle part + bolts/nuts
- C = kamlock hose joint
- L = Hose mandrel
- A = Sample taking valve

Different joints are marked with slash, P/L = welding joints / Hose mandrel. Manual hand lever is installed to point to towards joint after slash in open position.

**H080/067HVP- - - - -**

**NOMINAL SIZE OF VALVE:**

DN-size (marked with three numbers)

**BODY MATERIAL:**

- J = Aluminium
- M = Plastic (POM), other material marked with "E"
- H = Stainless steel (AISI 316), other materials marked with "E"
- K = Steel
- T = Titanium
- D = Duplex (2205 / EN 1.4462)

**ADDITIONAL INFORMATION:**

- V = Hand lever, galvanized steel (H-series valves always AISI 316)
- VH = hand lever stainless steel (AISI 316, standard in H-series)
- T = Actuator version, shaft size (mm)
- PP = Solid, massive type ball
- G = Ball seals, fibreglassed PTFE
- C = Ball seals PTFE+C (25 % carbon)
- NS = Metric dimension pipe
- E = special design, see specification
- Cr = Hard chrome coated ball

**3PLH080...**

**3-WAY VALVE:**

- 3P = Third joint opposite the shaft (bottom)
- 3S = Third joint at the side

**BALL MODEL:**

- L = L-shaped
- T = T-shaped
- S = Sector

# Jouka Joline Actuators



Joline	-50	-63	-80	-100
<b>Weight/kg</b>				
1-acting		3,3	6,2	10,8
2-acting	1,1	1,8	3,8	6,1

The construction of the Joline actuator is both simple and reliable. The change from straight motion into rotational motion is smooth as a result of the exact and clearance-free functions of the actuator. Thanks to its simple construction, the Joline actuator comprises fewer wear parts. In addition, large

bearing surfaces result in a much longer life cycle of about 5 million rotational motions. The Joline actuator can be equipped with a magnetic valve or a limit switch and used with valves and different hatches with 90° rotations in the open-close process.



# Valves with actuators



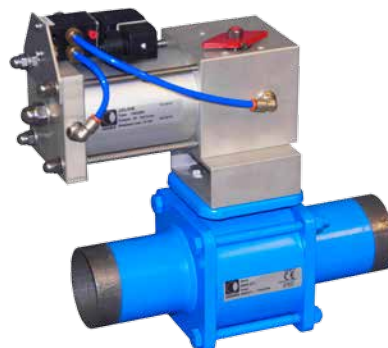
Electric actuators



Electric actuators



Electric actuators



Jouka-Joline



Hydraulic actuators



Pneumatic actuators

# LNG



The use of environmentally friendly LNG as a fuel source for tankers and cruise ships is becoming more common. Jouka has kept up with technological advances by manufacturing new valves and manifolds specially designed for the propulsion systems of LNG carriers and LNG terminal applications. Jouka LNG valves are designed to

handle the extensive temperature variations found in demanding LNG applications. Customers can be provided with the relevant certification for Jouka LNG valves and manifolds containing information on traceability, manufacturing process and materials used.



# Tailor-made subcontracting products



With 80 production machines and several hydraulic and mechanical presses, Jouka can provide many kinds of CNC and manual processing, grinding and welding services. Surface finishing and polishing is done with a vibrating grinding machine.

Jouka offers a full range of subcontracting services:

- design, strength calculations, manufacturing and deep drawing
- design and manufacture of tools

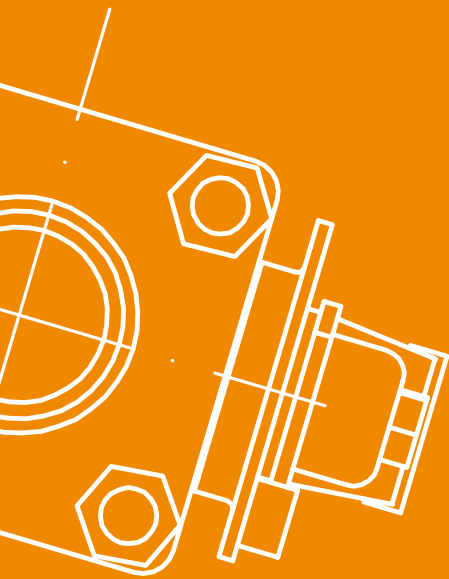
To ensure customers always find the best solution for their needs, Jouka is there from the beginning to the very end of the manufacturing process. Delivery times and batch sizes are agreed with customers beforehand. Small batch sizes are also possible.



**Jouka Inc.**  
Somerotie 4  
FIN-33470 Ylöjärvi, FINLAND  
Tel. +358 3 359 7500  
info@jouka.fi  
**jouka.fi/en**

# **JOUKA**

Valves you can trust



ISO 9001  
ISO 14001

