




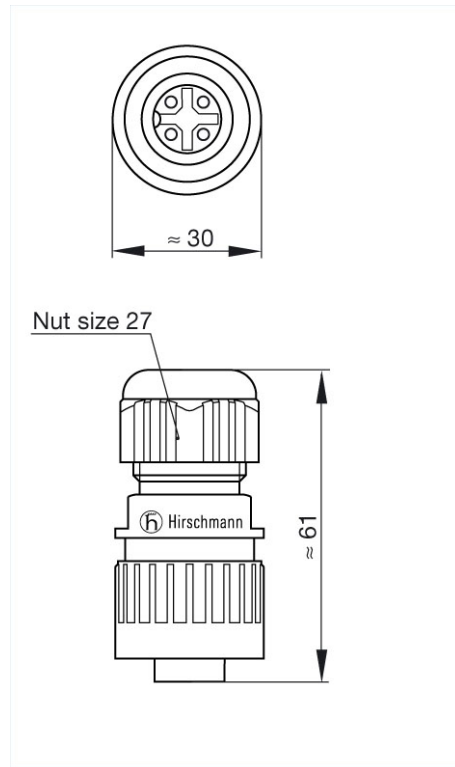
## Product information CA 3 LD

Industrial Connecting Solutions: Circular Connectors: MIL, DIN, Universal Connectors: Signal and Power (CA series): Cable socket and panel-mounted socket: CA 3 LD

<http://www.e-catalog.beldensolutions.com/link/57078-24228-256281-256284-24359-24360-36070/en/conf/ui/state>

Name	CA 3 LD
	
	Straight cable socket, integrated strain relief
<b>Delivery informations</b>	
Availability	available
<b>Product description</b>	
Description	Straight cable socket, integrated strain relief
Type	CA 3 LD
Order No.	934 125-100
Number of contacts	3 + PE
Cable gland	M 22x2
Cable diameter	6 mm to 12 mm
Conductor size	max. 2.5 mm <sup>2</sup>
Housing Color	black
<b>Technical data</b>	
Pin dimensions	2 mm
Rated voltage	AC 400 V / DC 250 V
Rated current	DC 10 A / AC 16 A
Contact resistance	<= 3 mOhm
Type of termination	screw
<b>Material</b>	
Contact surface material	Ag
Contact bearer material	PA 66-GF 25
Housing material	PA 66-GF 25
O-Ring	NBR
<b>Environmental conditions</b>	
Protection class (IEC 60529)	IP 67
Pollution severity	3
Temperature range	-40 °C to +90 °C
<b>Inflammability class</b>	
Flammability, UL standard	94 V-0
<b>Approvals</b>	
UL	UL
VDE	VDE
<b>Packaging unit</b>	
Packaging unit	100 pieces
<b>Scope of delivery and accessories</b>	
Scope of delivery	1 cable socket, not assembled, assembly instructions
Accessories to order separately	can be plugged into CA 3 LS, CA 3 GS; cap CA 00 SD 3, order no. 831 532-400

Picture  
Drawing



**Belden Deutschland GmbH**  
Im Gewerbepark 2  
58579 Schalksmühle  
Germany  
Phone: +49 7127/14-1806  
E-Mail: [icos-sales@belden.com](mailto:icos-sales@belden.com)

The information published in the websites has been compiled as carefully as possible. It is subject to alteration without notice in technical as well as in price-related/commercial respect. The complete information and data were available on user documentation. Mandatory information can only be obtained by a concrete query.