

Catalog PCC-4/USA



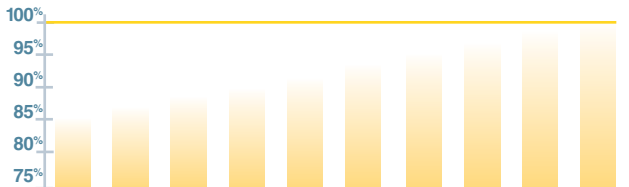
Parker Hannifin Corporation

A global, Fortune 300 company with sales of \$8 billion and over 400,000 customers in 46 countries, Parker Hannifin is the world's leading supplier of motion control components and system solutions serving the industrial, mobile, and aerospace markets.

Excellence is imprinted on our corporate DNA. We are the only manufacturer offering customers a choice of hydraulic, pneumatic, electromechanical, or computer motion control.

Total Systems Solutions

Parker's team of highly qualified applications engineers, product development engineers, and system specialists can turn pneumatic, structural extrusion, and electromechanical products into an integrated system solution. And our Selectable Levels of Integration™ program provides the components, subsystems, and controlled motion systems for the level of integration you choose.



Parker consistently raises the bar for its manufacturing plants and distributors, measuring its delivery to customer request date.

1st in Delivery, Field Sales and Distribution

Parker boasts the industry's largest global distribution network, with more than 8,600 distributors worldwide. With factories located strategically on five continents, we can maintain matchless on-time delivery rates.

Expect industry's fastest response and delivery by customer request date when you contact Parker or one of its distributors. Plus, Parker's army of pneumatic engineers works hand-in-hand with you and your local distributors during the design process to ensure the best products, services, and application performance.

Parker Pneumatic Distribution offers the next level in premier customer service. Each location has significant on-hand inventory to keep your down time to a minimum. And many distributors have in-house design capability to support your system and subsystem requirements.



Parker world headquarters in Cleveland



Training

Parker's best-in-class technology training includes hands-on classes, Web-based training, and comprehensive texts for employees, distributors, and customers. Parker also provides

computer based training, PowerPoint presentations, exams, drafting and simulation software, and trainer stands.

Five-Year Warranty

Our standard 18-month warranty on pneumatic products is extended to 60 months when used with a properly installed and maintained Parker air preparation system.

www.parker.com/pneumatics

Industry's most comprehensive Web site is your single source for:

- Product information
- Downloadable catalogs
- 3D design files
- Training materials
- Product configuration software
- RFQ capabilities



24/7 Emergency Breakdown Referrals

The Parker product information center is available any time of the day or night at 1-800-C-Parker. Our operators will connect you with on-call representatives who will identify replacement parts or services for all motion technologies. Talk to a real person!



Warning, Offer of Sale

 **WARNING**

FAILURE OR IMPROPER SELECTION OR IMPROPER USE OF THE PRODUCTS AND/OR SYSTEMS DESCRIBED HEREIN OR RELATED ITEMS CAN CAUSE DEATH, PERSONAL INJURY AND PROPERTY DAMAGE.

This document and other information from Parker Hannifin Corporation, its subsidiaries and authorized distributors provide product and/or system options for further investigation by users having technical expertise. It is important that you analyze all aspects of your application including consequences of any failure, and review the information concerning the product or system in the current product catalog. Due to the variety of operating conditions and applications for these products or systems, the user, through its own analysis and testing, is solely responsible for making the final selection of the products and systems and assuring that all performance, safety and warning requirements of the application are met.

The products described herein, including without limitation, product features, specifications, designs, availability and pricing, are subject to change by Parker Hannifin Corporation and its subsidiaries at any time without notice.

Offer of Sale

The items described in this document are hereby offered for sale by Parker Hannifin Corporation, its subsidiaries or its authorized distributors. This offer and its acceptance are governed by the provisions stated on the separate page of this document entitled "Offer of Sale".

© Copyright 2007 Parker Hannifin Corporation. All Rights Reserved.

Notes

Logic

- Logic Elements • Time Delay Relays • Memory Relays • Modular Sequencer
- Amplifier and Sensor Relays • Solenoid Relays • Pressure Switches
- 3 & 4-Port Modular Subbases • Independent Subbases
- Impulse & Dial Timers • Binary & Calibrated Dial Timers • Logic Processing Spare Parts

A

Logic

PS1E

- Electro-pneumatic Interface Valves

B

PS1E

Control Panel Products

- Push Buttons • Selector Switches • Valve Bodies & Accessories • Legend Plates • Visual Indicators
- Rotary Selector Switches • Joystick Operators • Foot Pedal Operated Switches
- Two-hand Control

C

Control Panel Products

Sensing

- Mechanical Limit Switches • Pressure Switches • Vacuum Switches
- Bleed Sensors • Fluidic Proximity Sensors • Threshold Sensors • Flow Controls

D

Sensing

Accessories

- Mounting Accessories • Tubing Accessories

E

Accessories

ATEX

- European Directives Information

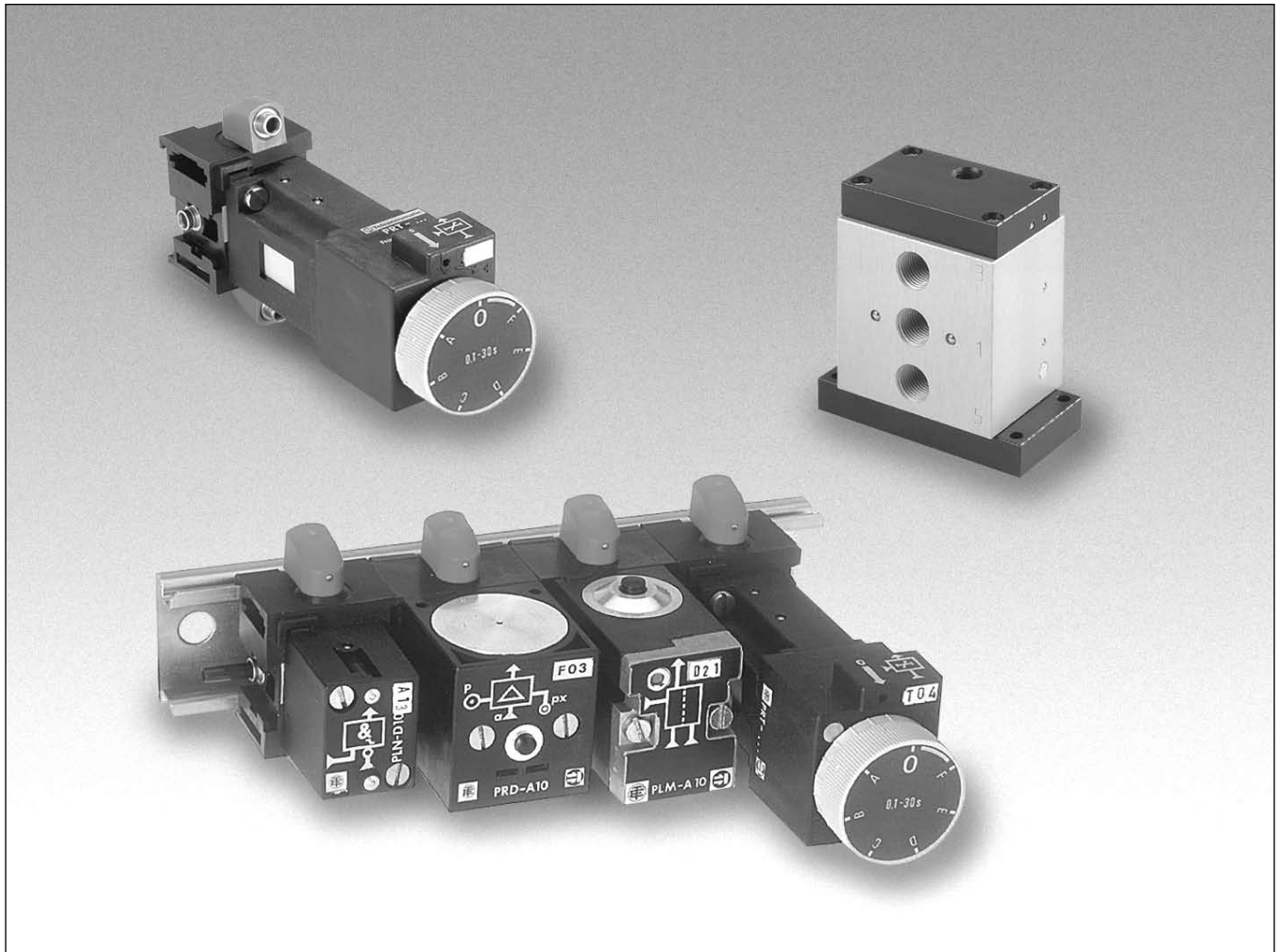
F

ATEX

**Model Number to Page Number Index,
Safety Guide, Offer of Sale****G**Model Number Index,
Safety Guide,
Offer of Sale

Notes

Section A



Choosing Pneumatic Controls	A2-A3	Amplifier Relay	A26
Basic Features	A4-A10	Fluidic Proximity Sensors	A27
Inline Logic Elements AND, OR & Mounting Clip	A11	Solenoid Relays.....	A28
Integrated Logic Elements AND, OR, NOT, Head / Tail Plate (With 5/32" Swivel Connections)	A12	Pressure Switches.....	A29-A31
Subbase Mounted Logic Elements AND, OR, YES, & NOT (For Mounting on 3-Port Subbases)	A13-A14	Vacuum Switches	A32
Time Delay Relays.....	A15-A17	3 & 4-Port Modular Subbases	A33
Memory Relays.....	A18-A19	Independent Subbases.....	A34
Modular Sequencers	A20-A23	Technical Information - Logic Components	A35-36
Bleed Sensor Relays	A24	Impulse Counters & Dial Timers.....	A37-A38
Bleed Sensors.....	A25	Binary & Calibrated Dial Timers	A39
		Kits & Accessories.....	A40

A

When to Choose Pneumatic Controls

Automated machines often mix pneumatic actuation (cylinders, air motors, blowers, suction cups, etc.) and electrical actuation (motors, heat resistors, electro-magnets, etc.).

In choosing control hardware, the designer should seek to maximize overall system uniformity.

Therefore:

- **Pneumatic controls should be used when the majority of actuators are pneumatic.**
- **Electrical controls should be used when the majority of actuators are electrical.**

The flow chart on the facing page enables the choice of control technology for a machine or machine work station where pneumatic actuators are in the majority (60% minimum); the machine must be of unit or semi-unit construction; and finally it should only comprise of separate signals and require only logic processing.

These latter conditions apply to the latest automated systems. If however the machine under consideration comprises sections with analog or digital signals, it can be structured as a series of work stations and those which do not meet all the conditions can be treated separately.

Using the Flow Chart

The three essential selection criteria are applied in turn to the machine under consideration.

1 - Distance and Reaction Time

This criterion eliminates the total pneumatic configuration for machines which are too large.

The signal transfer distance, $D = D^1 + D^2$ is easily evaluated.

- If $D \leq 4m$: all configurations are possible.
- If $D \geq 16m$: only electro-pneumatic is suitable.
- If $4m < D < 16m$: the choice is made using **Diagram A** on the right; an average time is calculated for the stage T_E and, as a function of D , the diagram enables the choice of direction I - all configurations possible, or direction II - electro-pneumatic configuration.

2 - Matching of Sensors

We have seen the parallel which exists between pneumatic sensors and electric and electrical sensors. At this stage, verify that the majority of the sensors can be pneumatic.

3 - Volume of Processing Required

This is the optimization criterion enabling the best choice for the life of the machine and therefore its best overall cost.

The processing volume is a function of:

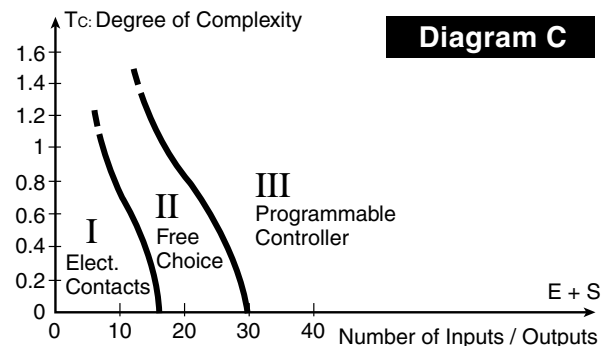
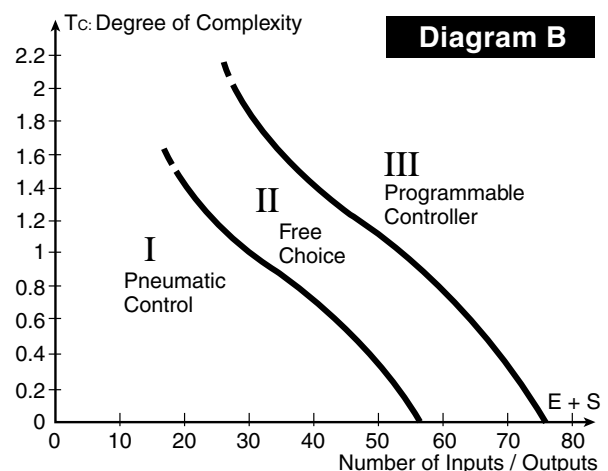
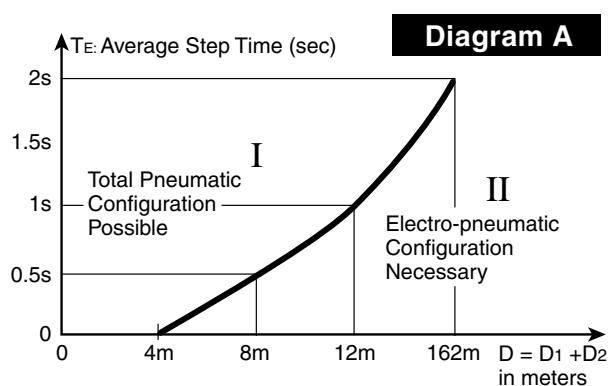
- the number of inputs / outputs, $I + O$
- the degree of complexity given by the formula:

$$T_c = \frac{N^\circ \text{ of steps} + N^\circ \text{ of sequences}}{I + O}$$

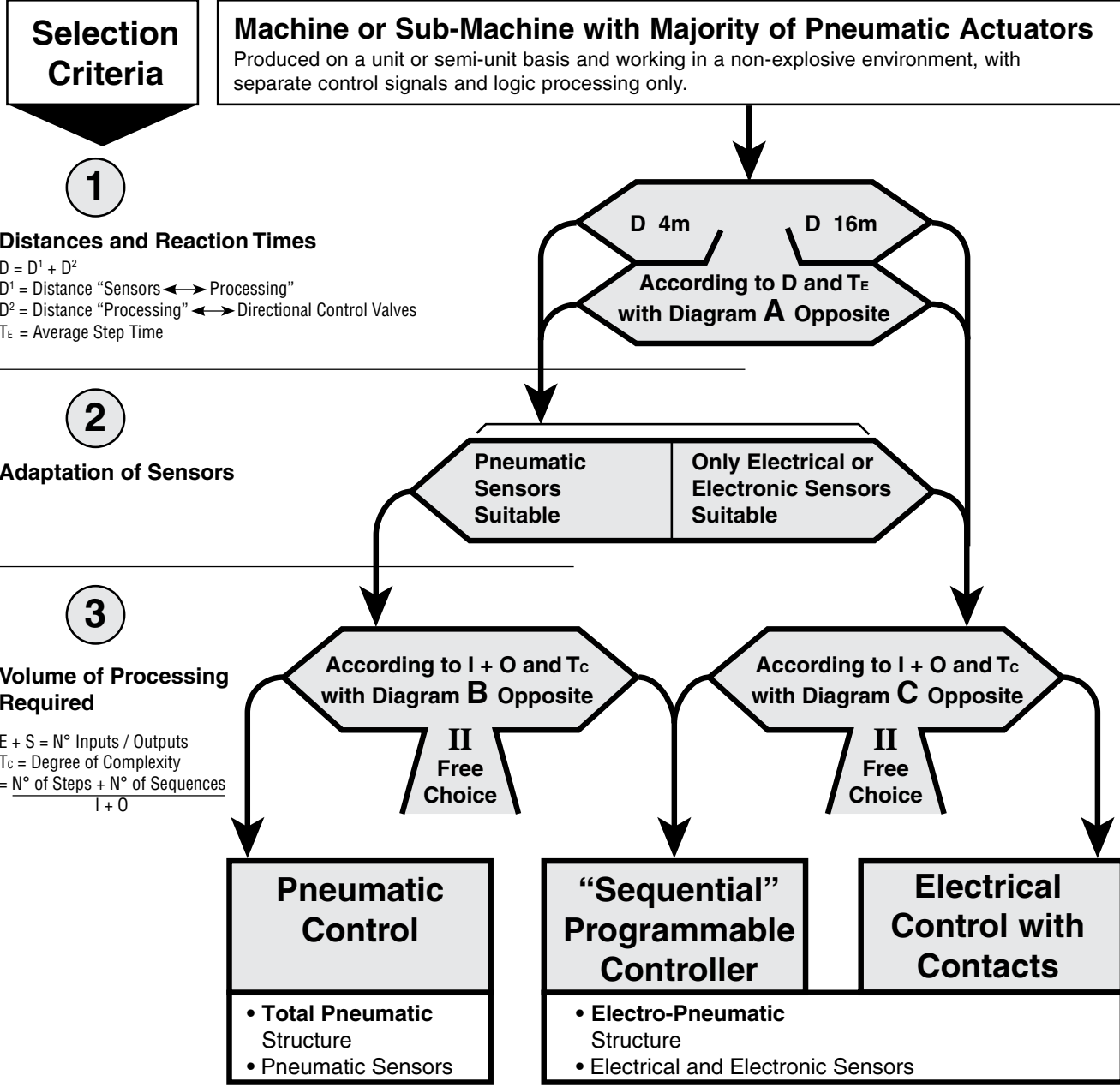
Values are established for both of these elements for the application concerned, and entered onto one of the diagrams alongside:

- **Diagram B** enables the choice between pneumatic control (I) and the programmable controller (II).
- **Diagram C** enables the choice between the electrical control with contacts (I) and the programmable controller (III).

In the case where the diagram indicates "free choice", both technologies present are valid for the application concerned.



A



1

Distances and Reaction Times

$D = D^1 + D^2$
 $D^1 = \text{Distance "Sensors"} \leftrightarrow \text{Processing}$
 $D^2 = \text{Distance "Processing"} \leftrightarrow \text{Directional Control Valves}$
 $T_E = \text{Average Step Time}$

2

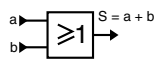
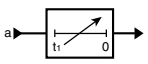
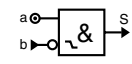

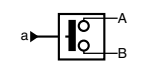
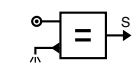
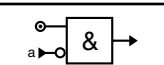
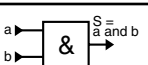
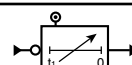
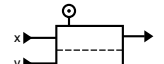
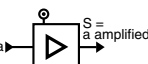
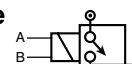
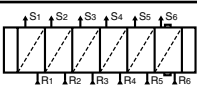
Adaptation of Sensors

3

Volume of Processing Required

$E + S = N^\circ \text{ Inputs / Outputs}$
 $T_C = \text{Degree of Complexity}$
 $= \frac{N^\circ \text{ of Steps} + N^\circ \text{ of Sequences}}{I + O}$

Component Symbols

<p>OR Function</p> 	<p>TIME Function</p> 	<p>THRESHOLD NOT Function</p> 
<p>YES Function</p> 	<p>Air/Electric Interface (Pressure Switch: Non Adjustable)</p> 	<p>Back-Pressure Sensor (Booster Relay)</p> 
<p>Not Function (Inhibitor)</p> 	<p>AND Function</p> 	<p>INVERTED TIME Function</p> 
<p>MEMORY Function</p> 	<p>Amplifier Function</p> 	<p>Electric/Air Interface (Pressure Switch: Non Adjustable)</p> 
<p>Modular Sequencer</p> 		

A

Advantages

Total Pneumatic control systems have a number of advantages over electro-pneumatic actuation. Among these are:

• System Uniformity

The use of one power and control medium simplifies design, operation, and maintenance of equipment by reducing the number of necessary skills and techniques.

• Hardware Uniformity

In practice, pneumatic cylinders integrate better with pneumatic sensors than electrical sensors. For example:

In Wet Environments:

Contrary to electrical sensors, pneumatic sensors operate trouble free in wet surroundings, an application where pneumatic cylinders are generally favored.

In Explosive Environments:

Explosion-proof electrical components are cumbersome and expensive; pneumatic components, inherently explosion-proof, are ideally suited to increasingly frequent explosive industrial environments.

For Short Stroke Cylinders:

Short strokes, typical of clamping cylinders for example, are easily sensed with pneumatic limit sensors.

Where Limit Switches Cannot be Used:

This frequently encountered problem can be solved by using threshold relays.

• Elimination of Solenoid Valves

Pneumatic systems are more compact, more reliable. Costs are reduced.

• Elimination of Electric Power Supplies and Protection Devices

Reduced costs and added safety.

• Increased Safety

No Shocks from cut or exposed wires and devices.

• Longer Life and Increased Reliability

Recent generations of pneumatic controls have maximized simplicity of operation. Pneumatic controls are not inherently self-destructive as are their equivalents (through arcing).

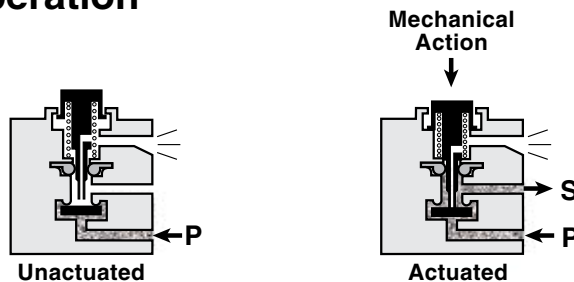
• Faster Response Times

In compact control systems, total pneumatic systems have faster response times than electro-pneumatic systems.

• Reduced Overall Costs

For all these reasons, total pneumatic automation is an effective technique to reduce machine design, operation and maintenance costs.

Direct Operation



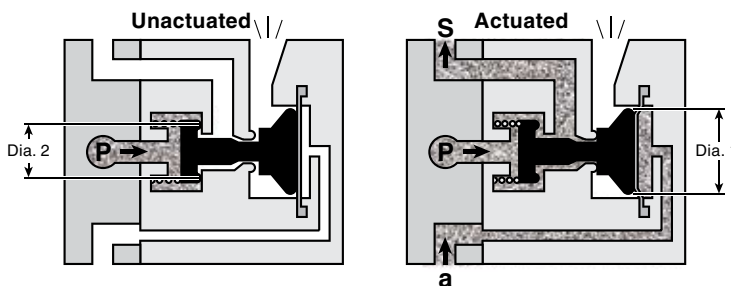
Components Using Illustrated Principles



Miniature Limit Switch

Relay Operation

• Non-Passing (YES Function)



- Output signal S is ON when pilot signal "a" is present.
- Relay is snap-acting because area of diameter 1 is greater than area of diameter 2.



YES Relay

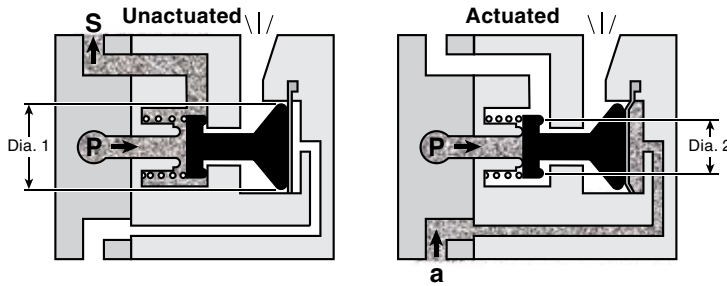


Time Delay Relay (ON Delay)



Booster Relay

• **Passing (NOT Function)**



- Output signal S is ON when pilot signal "a" is present. When "a" appears, S is exhausted to atmosphere.
- Relay is snap-acting because area of diameter 1 is greater than area of diameter 2.

Components Using Illustrated Principles



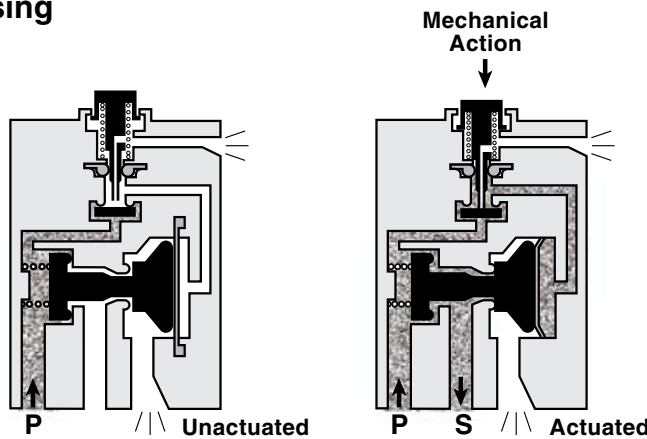
Time Delay Relay (Inverted)



NOT Relay

Pilot Operation

• **Non-Passing**

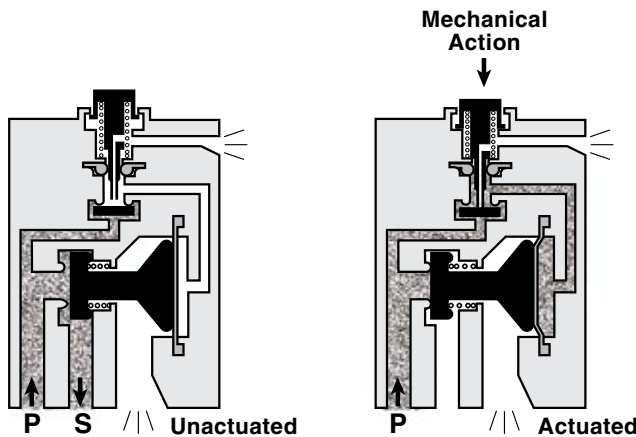


- Depressing actuator creates signal from pilot section; signal actuates NON-PASSING relay. Output S is ON.
- Associating pilot and relay in one component allows high flow (full 1/8" internal orifice) with minimal actuating effort (11 oz.). Snap-action at a precise point along actuator travel is an added characteristic.



Limit Switches

• **Passing**



- Depressing actuator creates signal from pilot section; signal actuates PASSING relay. Output S is OFF.
- Associating pilot and relay in one component allows high flow (full 1/8" internal orifice) with minimal actuating effort (11 oz.). Snap-action at a precise point along actuator travel is an added characteristic.

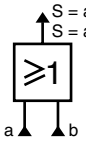
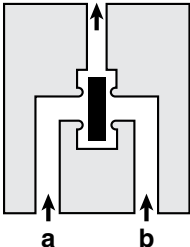
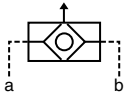
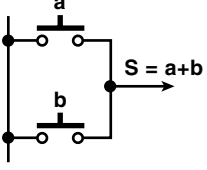
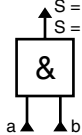
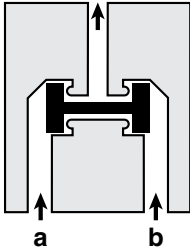
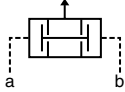
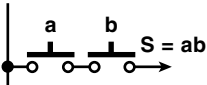
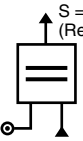
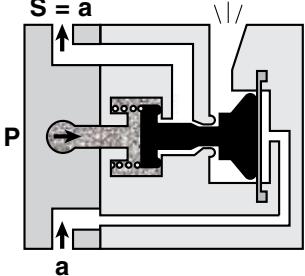
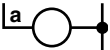
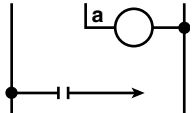
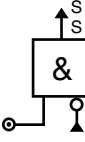
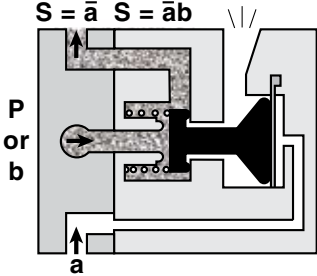
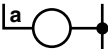
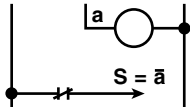
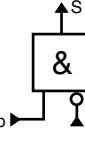
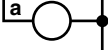
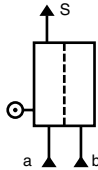
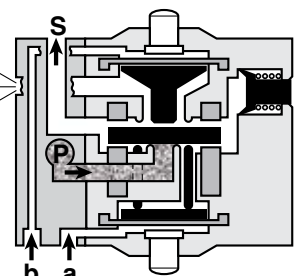
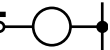
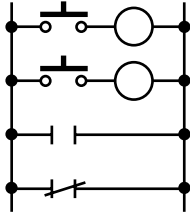


Push Buttons



The following chart shows how pneumatic components perform all the basic logic functions.

A

	Logic Function	Logic Symbol	Pneumatic Component	Function Symbol	Electrical Equivalent
PASSIVE FUNCTIONS	OR	$S = a \text{ OR } b$ (or both) $S = a + b$  Output S is ON if at least one of the inputs "a" OR "b" is ON	$S = a + b$ 		
	AND	$S = a \text{ and } b$ $S = ab$  Output S is ON only if inputs "a" AND "b" are ON	$S = ab$ 		
ACTIVE FUNCTIONS	YES (Regenerate)	$S = a$ (Regenerated)  Output S is ON and regenerated if input "a" is ON	$S = a$ 		
	NOT (Inhibit)	$S = \text{NOT } a$ $S = \bar{a}$  Output S is ON if input "a" is OFF (and if supply P is present)	$S = \bar{a}$ $S = \bar{a}b$ 		
		$S = \bar{a}b$  "b" is an intermittent signal. "a" inhibits "b". Output S is ON if "b" is ON and "a" is OFF			
MEMORY	 Input "a" generates Output S (SET). Output S remains ON until removed by input "b" (RESET)				

Virtually all production machines using pneumatic actuators operate in a dedicated and repeatable sequence or cycle. The purpose of any control method is to insure that all steps of the machine's cycle occur as intended.

The sequencer constitutes the backbone of a Telepneumatic control circuit. The sequencer's poppet design provides long life using only shop air.

Since it is modular, the sequencer can easily be configured to any application cycle requirement. Logic elements

and supporting relays provide for other application needs such as safety conditions, operating modes and time delays.

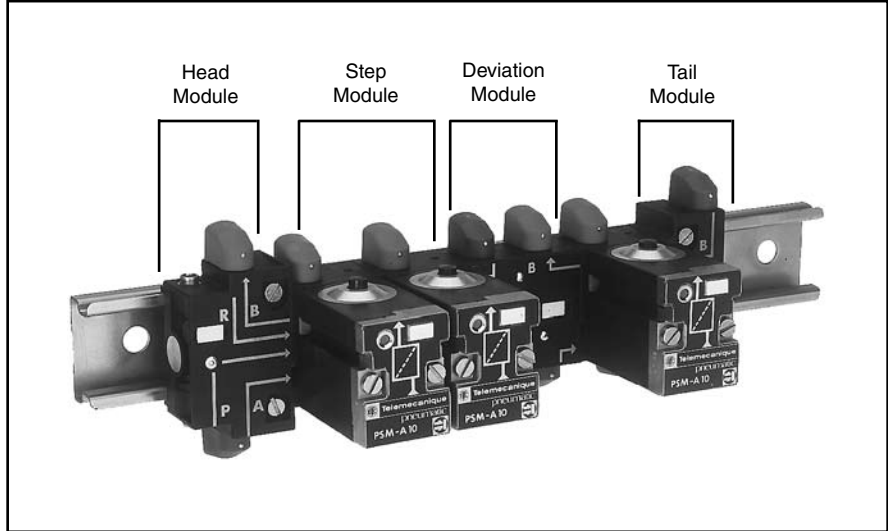
The Telepneumatic sequencer eliminates the need for solenoid operated valves.



COMPOSITION

A sequencer is comprised of a Number of step modules, each corresponding to a defined step in the machine's cycle according to the application requirements.

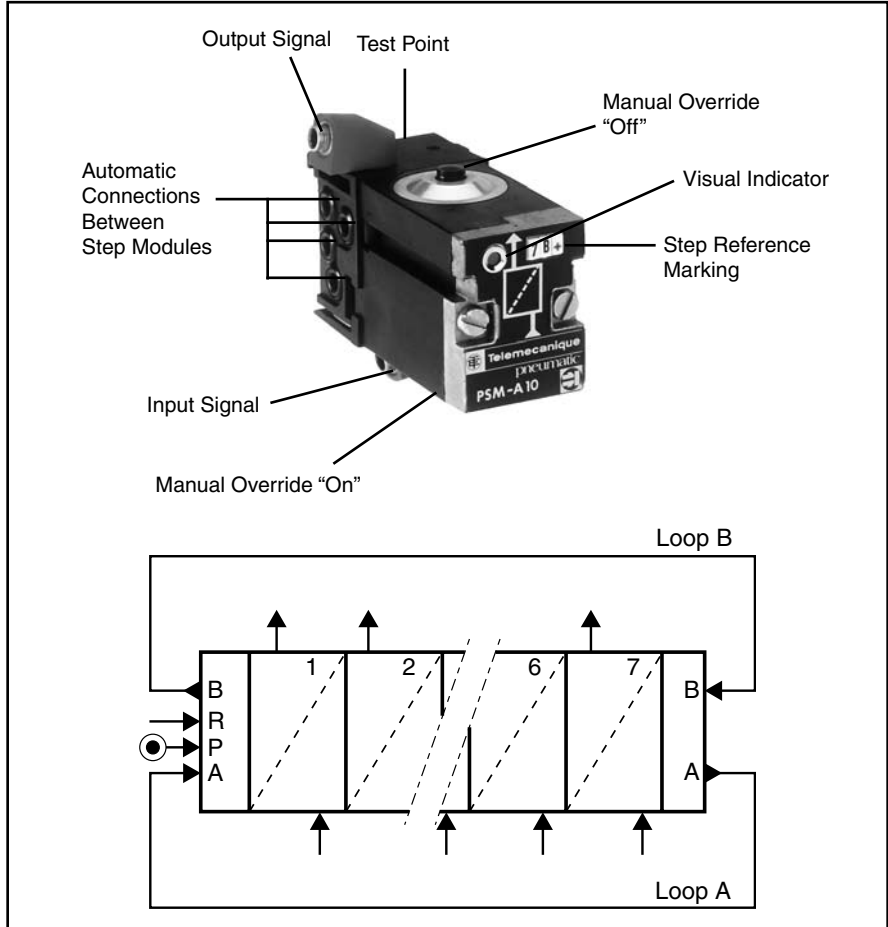
The head / tail module performs the function of locking the easily stacked step modules to the 35 mm DIN rail while also supplying connection to the stack as follows: (1) supply pressure, (2) starting condition and (3) general and emergency resets. A deviation module is placed between step modules to provide for variation to the normal sequence of events such as skips, repeats, multi line cycles and resets.



STEP MODULE

At the heart of the sequencer, the step module is the decision making element that will read the necessary inputs and provide output commands as needed. The step module consists of the following parts:

- Input / Output via 5/32" Instant Swivels with Test Points
- Visual Indicator, Defining Status
- Both On and Off Manual Overrides
- Step Reference Marking to Assist in Sequence Diagnostics
- Stackable Subbase with Special Internal Piping.



A

GRAFSET

The use of a function flow diagram allows the designers of machine tool automation to organize application requirements in a simple sequential flow. The GRAFCET flow diagram becomes a snapshot of the machine's positions and conditions. This simplifies understanding and modification of the specific application.

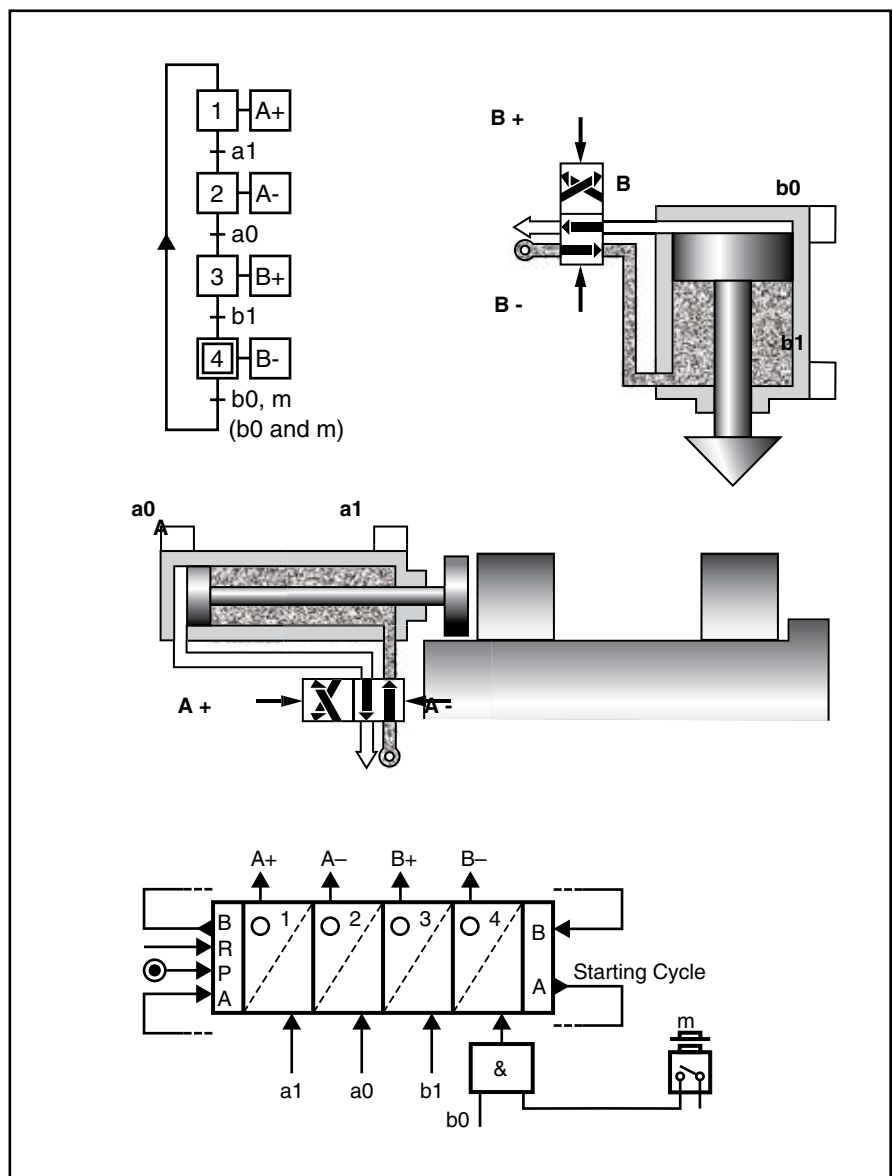
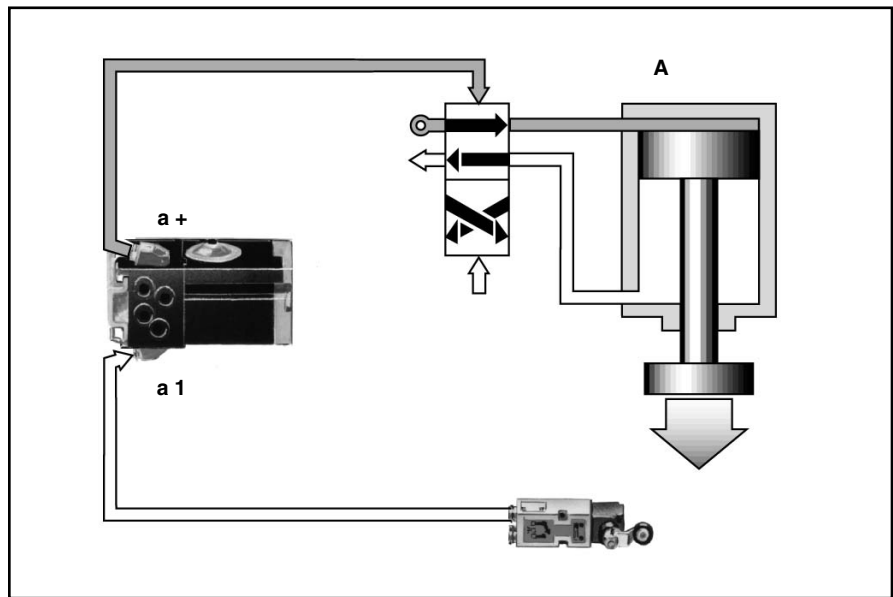
CONTROL LOOP

To understand the operating cycle, we first define each actuator motion in sequence. We will address each actuator with a letter starting with A. For a cylinder as shown to the right, the motion required is the extension of the cylinder. This action will now be known as A+. The "+" indicates the extension of a cylinder, or the turning of an actuator that is digital (on / off). When the cylinder reaches the end of its stroke, it will trigger a limit switch. This signal is an input (transition) that we call "a1". The "a" defines the actuator, and "1" defines its active state. This completes a step consisting of a command and a transition.

COMBINATION

We can now combine additional actuators and reciprocal motions to create a total control package. To the right are two actuators A and B. "A" is a transfer cylinder that will move parts into the workspace. "B" is a press that will form the parts.

The GRAFCET flow diagram in the upper left shows the required actions and the corresponding limit switch feedback signals to indicate the actions are complete. When the machine starts, the transfer (A) will extend (+), placing a part in the nest. Feedback (a1) states that the action is complete and initiates retraction (A-). Feedback (a0) confirms the action is complete and initiates the next motion. The press (B) will extend downward (+) until reaching the end of stroke sensor (b1) which confirms the action and initiates the final step that returns the press to its home condition (B-). The sensor (b0) confirms when (B) is home and signals end of cycle.



**IN-LINE MOUNTED
 LOGIC ELEMENTS**

These logic elements can be either flush mounted on any flat surface, 35mm DIN rail mounted with the addition of a spring clip or hung from the tubing.

In-line elements are available in two logic statements: AND and OR.



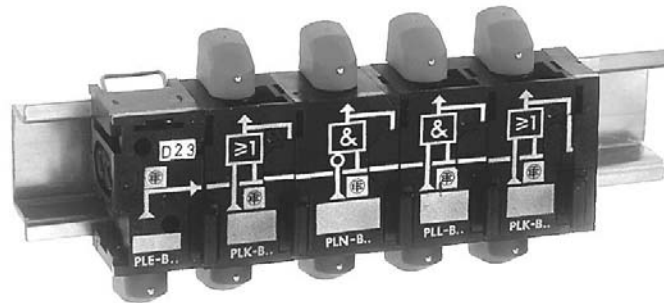
A

**INTEGRATED
 LOGIC ELEMENTS**

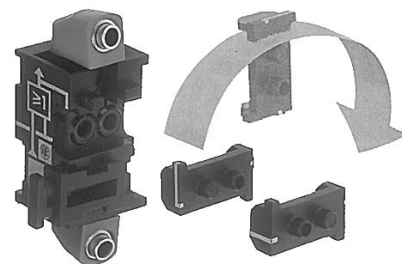
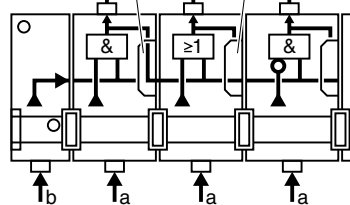
These elements can be combined with each other, allowing the creation of string statements in a compact footprint while reducing the piping required. There are three logic functions available in this configuration: AND, OR and NOT.

Each element is supplied with an integral locking key which allows each logic unit to lock to the next element to the right. In addition, each element includes a mode selector which enables the user to select either cascade (series) or common (parallel) circuitry.

Cascade mode determines that the output of a logic element will feed the next downstream logic element, while the common mode feeds its supply to the next component. These units are designed for 35mm DIN rail mounting and are supplied with the internal piping diagram printed on the face of the device. This internal piping is field convertible.

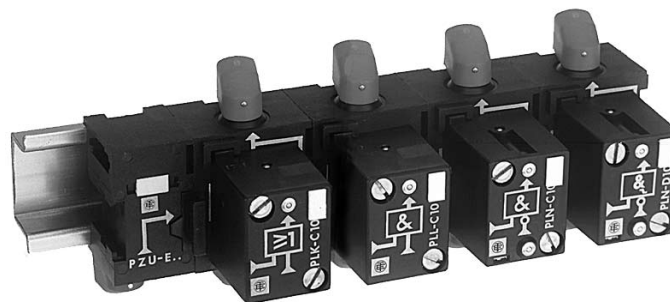


Selector in
Cascade Position Selector in
Common Position



**SUBBASE MOUNTING
 LOGIC ELEMENTS**

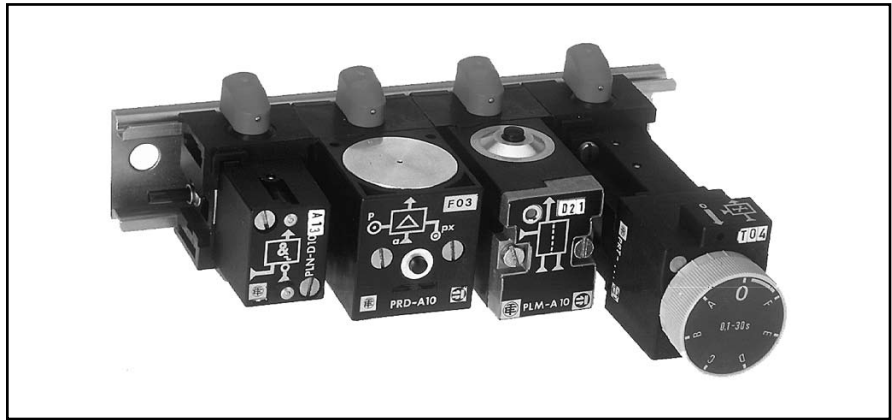
All logic devices are designed to mount on 3-port subbases. The 3-Port subbase is available in two styles (common input and cascade input) and are manifoldable with each other as well as the 4-Port subbases for relays. A stand alone 3-Port (1/8" pipe) metal subbase is also available. There are 5 logic elements for subbase mounting: AND, OR, YES, NOT and THRESHOLD NOT.



A

RELAYS

These components provide additional capability to the pneumatic logic system. Types available are: Time Delay, Memory, Amplifier, Sensor, Solenoid, and Pressure Switch (both pneumatic and electric). Depending on function, a 3 or 4-Port subbase is used.

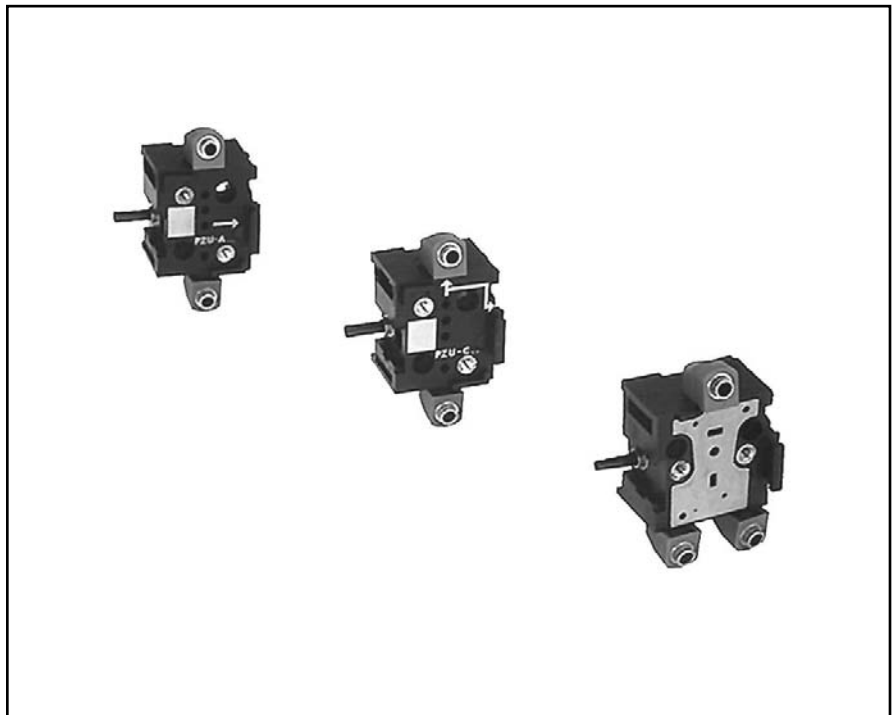


3-PORT SUBBASES

These stackable subbases are designed for the mounting of:

- Logic Devices
- Timers
- Bleed Sensor Relays
- Threshold NOT Relays
- E/P and P/E Interfaces.

They are stackable with the 4-Port subbases below and are available in common input or cascade input styles.



4-PORT SUBBASES

These stackable subbases are designed for the mounting of:

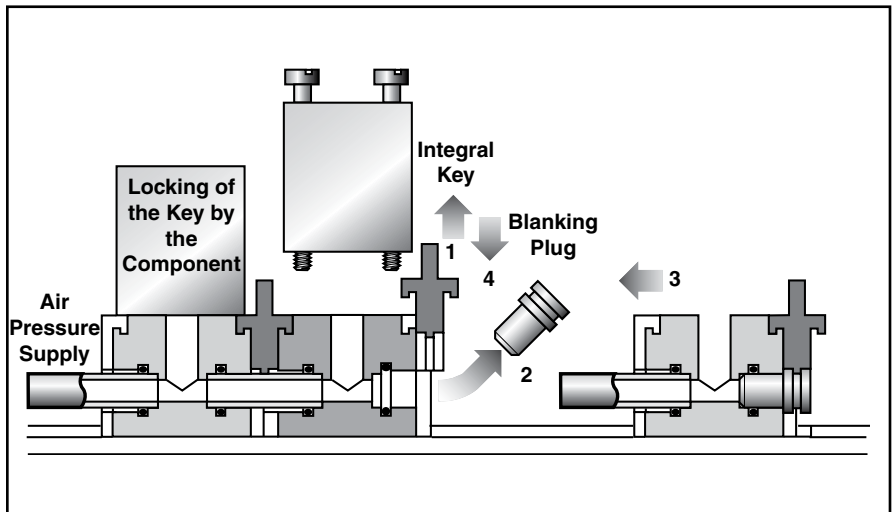
- Memory Relays
- Amplifier Relays for use with Proximity Sensors.

They are stackable with the 3-Port subbases above.

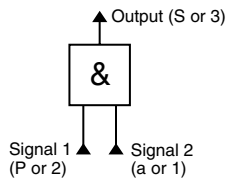
STACK ASSEMBLY

The drawing to the right explains the procedure for assembling subbase mounted logic components and relays.

Note: The subbases are supplied with an integral key that must be pulled upward (1) to release the blanking plug (2). Now the downstream subbase can be positioned (3) then locked by returning the integral key back to its original position (4). After this process is complete, the relay or logic element are mounted on top.



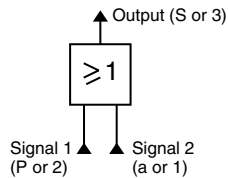
AND Element



PLLA11

Part Number	Description
PLLA11	5/32" Instant

OR Element



PLKA11

Part Number	Description
PLKA11	5/32" Instant

Mounting Clip Assembly



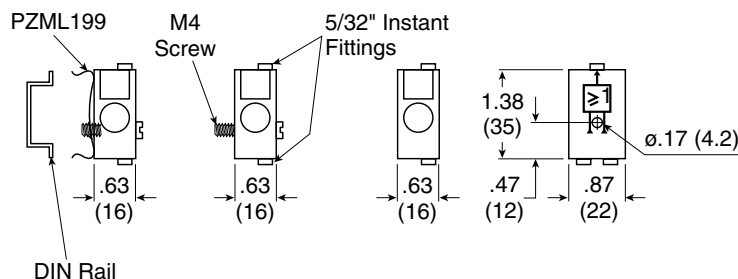
PZML199

Part Number	Description
PZML199	1 Set of Clip Assemblies

Specifications

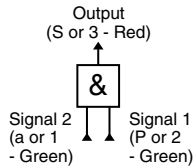
- Air Quality –**
 Standard Shop Air, Lubricated or Dry, 40 µm Filtration
- Cv**0.14 (1.8)
- Flow rate at 90 PSI (6 bar) in SCFM (l/mn ANR)** ...6.4 (180)
- Materials –**
- Body.....Polyamide
 - Poppet..... Polyurethane
 - Seals..... Nitrile (Buna N)
- Mounting** Inline or 35mm DIN Rail
- Number of Operations with Dry Air at 90 PSI and 70°F, Frequency 1 Hz**..... 10 Million
- Operating Positions**.....All Positions
- Operating Pressure**20 to 115 PSIG (1.4 to 8 bar)
- Ports –**
 Standard: 5/32" Instant for Semi- Rigid Nylon or Polyurethane Tube
 10-32 UNF Available
- Response Time** 2 to 3 msec
- Temperature –**
 Operating 32°F to 122°F (0°C to +50°C)
 Storage -22°F to 140°F (-30°C to +60°C)

Dimensions



With 5/32" Instant Swivel Connections and Pressure Indicators

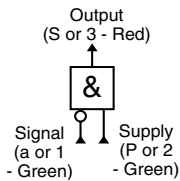
AND Element



PLLB12

Part Number	Description
PLLB12	With Integral Circuit Selector for Cascade or Common Mode Selection

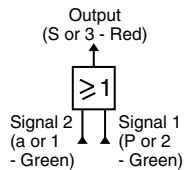
NOT Element



PLNB12

Part Number	Description
PLNB12	With Integral Circuit Selector for Cascade or Common Mode Selection

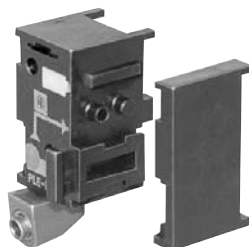
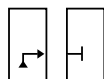
OR Element



PLKB12

Part Number	Description
PLKB12	With Integral Circuit Selector for Cascade or Common Mode Selection

Head / Tail Plate Set



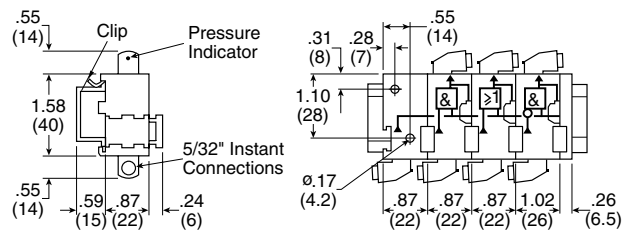
PLEB12

Part Number	Description
PLEB12	Mounts on DIN Rail, Required with Integrated Logic Elements to Complete Stack Assembly

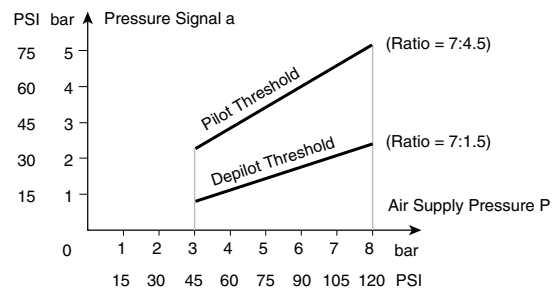
Specifications

- Air Quality –**
 Standard Shop Air, Lubricated or Dry, 40 µm Filtration
- Cv**0.14 (1.8)
- Flow rate at 90 PSI (6 bar) in SCFM (l/mn ANR) ...6.4 (180)**
- Materials –**
 - Body.....Polyamide
 - Poppet..... Polyurethane
 - Seals..... Nitrile (Buna N)
- Mounting** Inline or 35mm DIN Rail
- Number of Operations with Dry Air at 90 PSI and 70°F, Frequency 1 Hz.....10 Million**
- Operating Positions.....All Positions**
- Operating Pressure** 40 to 115 PSIG (3 to 8 bar)
- Ports –**
 Standard: 5/32" Instant for Semi- Rigid Nylon or Polyurethane Tube
 10-32 UNF Available
- Response Time** 2 to 3 msec
- Temperature –**
 Operating 32°F to 122°F (0°C to +50°C)
 Storage -22°F to 140°F (-30°C to +60°C)

Dimensions

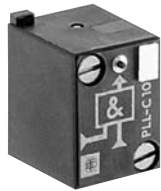
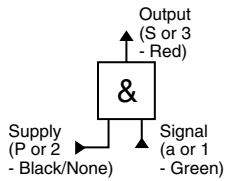


PLN - NOT



For Mounting On 3 Port Subbases

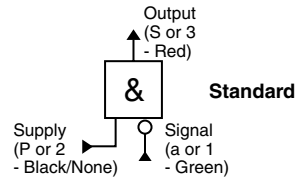
AND Element



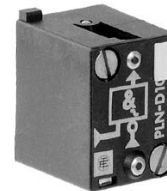
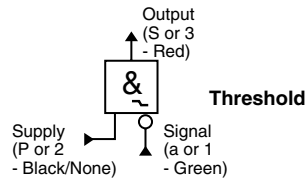
PLLC10

Part Number	Description
PLLC10	Less Base

NOT Elements



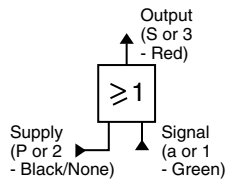
PLNC10



PLND10

Part Number	Description
PLNC10	Less Base
PLNC12	PLNC10 on PZUA12 Subbase
PLND10	Less Base
PLND12	PLND10 on PZUA12 Subbase

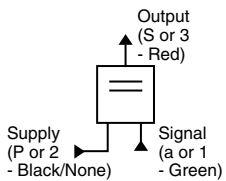
OR Element



PLKC10

Part Number	Description
PLKC10	Less Base

YES Element



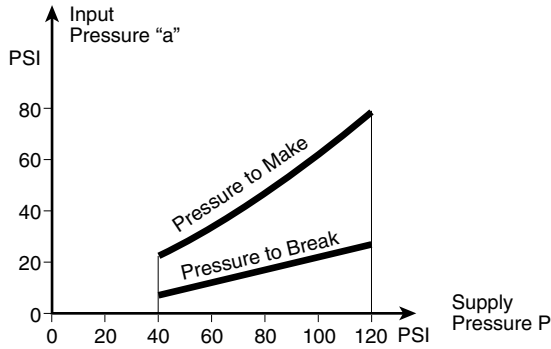
PLJC10

Part Number	Description
PLJC10	Less Base



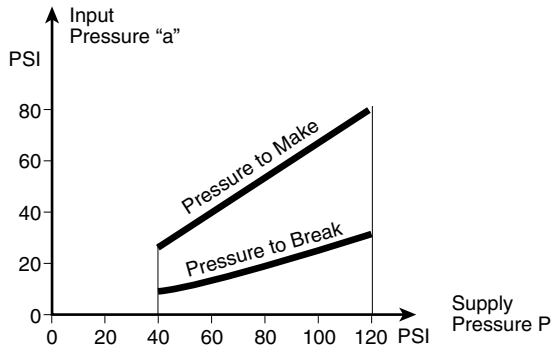
Make and Break Pressures

PLJ - YES Element



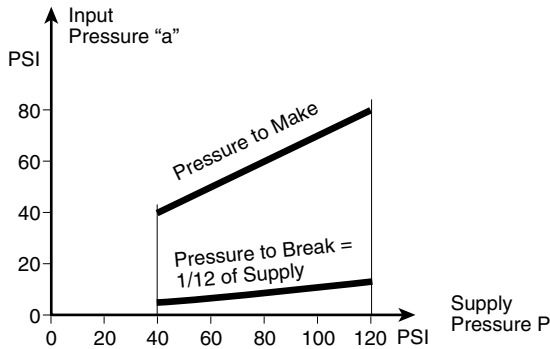
Because of sizeable differences in seating areas, pressure to make and pressure to break differ significantly. Snap-acting feature of relay is a result of this difference in pressure.

PLN - NOT Element



Because of sizeable differences in seating areas, pressure to make and pressure to break differ significantly. Snap-acting feature of relay is a result of this difference in pressure.

PLND - Threshold NOT Element



Diameter of supply P orifice is reduced to keep relay from breaking until control signal "a" is almost completely exhausted.

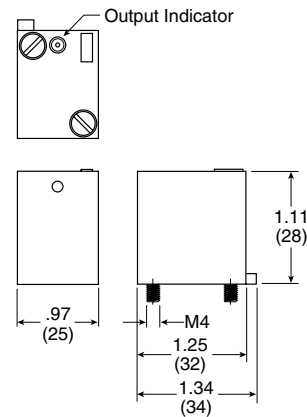
- Nominal supply orifice diameter = 5/64"
- Cv factor: .11

Specifications

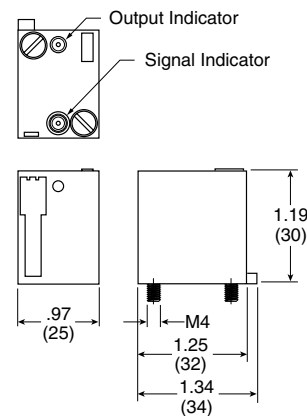
- Air Quality** – Standard Shop Air, Lubricated or Dry, 40 µm Filtration
- Cv** –
 PLNC, PLJC, PLL & PLK 0.14 (1.8)
 PLND08 (1.0); 0.14 (1.8)
- Flow rate at 90 PSI (6 bar) in SCFM (l/mn ANR)** –
 PLNC, PLJC, PLL & PLK 6.4 (180)
 PLND 3.2 (90); 6.4 (180)
- Materials** –
 - Body..... Polyamide
 - Poppet..... Polyurethane
 - Seals..... Nitrile (Buna N)
- Mounting** 3-Port Subbase
- Number of Operations with Dry Air at 90 PSI and 70°F, Frequency 1 Hz** –
 PLND, PLNC / PLJC 10 Million
 PLL & PLK 100 Million
- Operating Positions**..... All Positions
- Operating Pressure** 40 to 115 PSIG (3 to 8 bar)
- Ports** –
 Standard: 5/32" Instant for Semi-Rigid Nylon or Polyurethane Tube
 10-32 UNF Available
- Response Time** 2 to 3 msec
- Temperature** –
 Operating 32°F to 122°F (0°C to +50°C)
 Storage -22°F to 140°F (-30°C to +60°C)

Dimensions

PLKC10,
 PLLC10



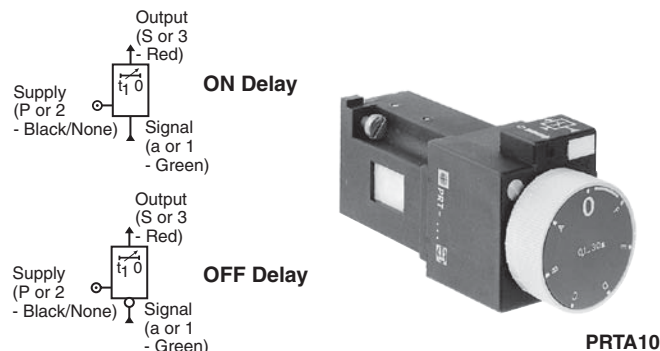
PLNC10,
 PLND10,
 PLJC10



Part Numbers

Time Delay Relays

For Mounting on any 2* or 3-Port Subbase
Using Atmospheric Air for Control
Single Turn Adjustment



*Function Must Be Checked.

Part Number	Description	Timing Range
PRTE10	ON Delay	0.1 to 3 sec.
PRTA10	ON Delay	0.1 to 30 sec.
PRTB10	ON Delay	10 to 180 sec.
PRTF10	OFF Delay	0.1 to 3 sec.
PRTC10	OFF Delay	0.1 to 30 sec.
PRTD10	OFF Delay	10 to 180 sec.
PRTA12	PRTA10 on PZUA12 Subbase	
LA9D901	Tamperproof Cap	

The Time Delay Relay delays a maintained input signal during an adjustable time period after which a regenerated output appears.

Setting

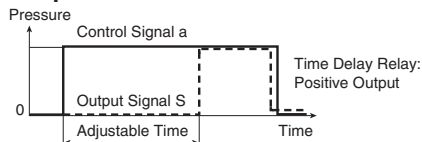
- Delay is set by turning knob.
- One 360° turn covers complete timing range.
- When white line on dial is set at top dead center, TDR goes to infinity. This feature facilitates machine set up.

Connections: 3-Port Subbase with

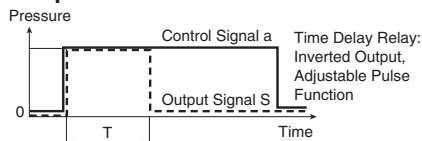
- Instant Straight Connections
- Instant Swivel Connections
- 1/8" NPT Female Connections

Timing Functions

• Positive Output



• Inverted Output



Repeatability +2%

Specifications

Air Quality -

Standard Shop Air, Lubricated or Dry, 40 µm Filtration

Cv0.14 (1.8)

Filter a-PPRL23, Vent - PPRL20

Flow rate at 90 PSI (6 bar) in SCFM (l/mn ANR)....6.4 (180)

Interchangeable 50 µm Filter -

a (Input).....PPRL23

Input Cylinder.....PPRL20

Materials -

- Body.....Polyamide
- Poppet.....Polyurethane
- Seals.....Nitrile (Buna N)

Mounting2 or 3-Port Subbase

Number of Operations with Dry Air at 90 PSI and 70°F,
Frequency 1 Hz.....10 Million

Operating Positions.....All

Operating Pressure40 to 115 PSIG (3 to 8 bar)

Repeatability±5% / 5 Operations

Response Time2 to 3 msec

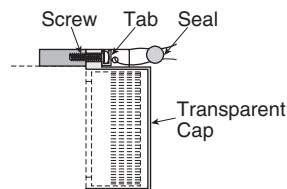
Temperature -

Operating32°F to 122°F (0°C to +50°C)

Storage-22°F to 140°F (-30°C to +60°C)

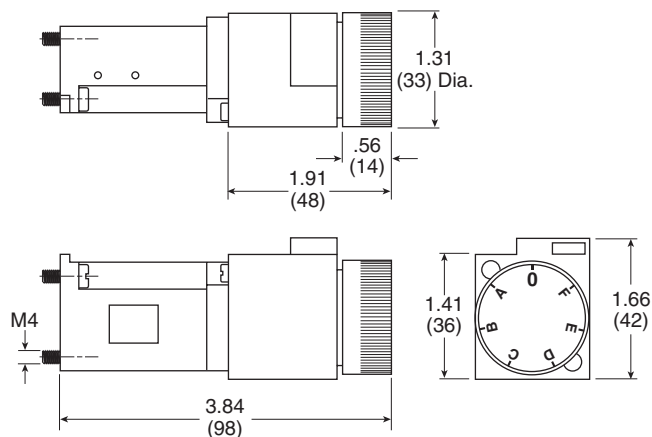
Tamperproof Cap

- **Locking**
Set desired time delay, then place transparent cap over setting knob and tighten screw.
- **Sealing**
Bend tab over screw head; run wire over head, then seal.



Dimensions

PRT•10



A

Operating Principle

The time delay relay is entirely pneumatic. Air supply to the timing head is taken from the ambient atmosphere. The timing function is therefore independent of line pressure. As a result, repeatability is unaffected by variations in supply pressure, temperature or contamination of supply. In the

positive output version, output is provided by a YES relay. In the inverted version, Output is provided by a NOT relay.

Note: Piping inverted TDR for adjustable pulse function: Tee off input "a" to supply port as shown on diagram.

Time Delay Relay Operating Principle: On Delay Positive Output

• SET

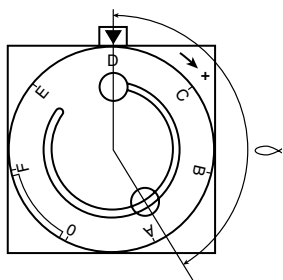
Signal "a" appears at input orifice in subbase and is divided into two separate signals after filter ①. The first signal cocks the piston ② and timing begins.

Simultaneously the second divided signal flows through fixed orifice ③ and supplies bleed at orifice ④.

• TIMING

Poppet ⑤, attached to bellows ⑦ and released by piston ②, starts to extend at a rate determined by the amount of delay required. Bellows ⑦ rate of extension is controlled as follows:

- Spring ⑥ pushed bellows out. To extend, bellows draws atmosphere air through filter ⑧ and circular channel ⑨. Length of channel ⑨ varies as a function of angle, determined by knob ⑩.



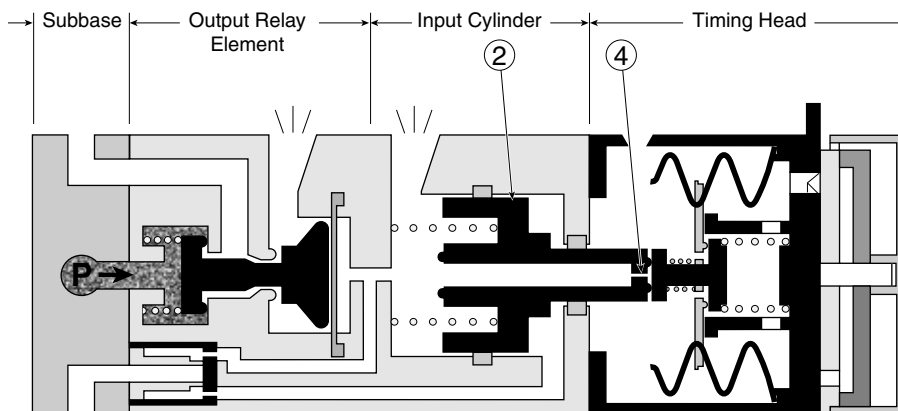
The greater the angle, the longer the time delay.

• OUTPUT

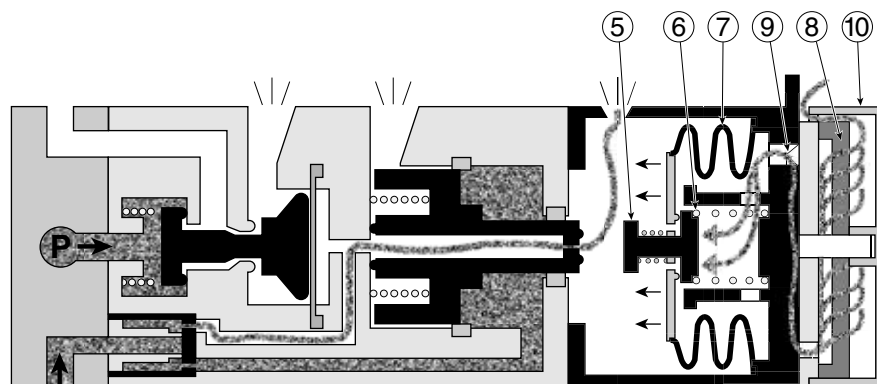
When bellows ⑦ reaches the end of its travel, poppet ⑤ seals off bleed from orifice ④, causing a rise in pressure and as a result output relay switches. Output S appears, supplied by pressure P.

• RESET

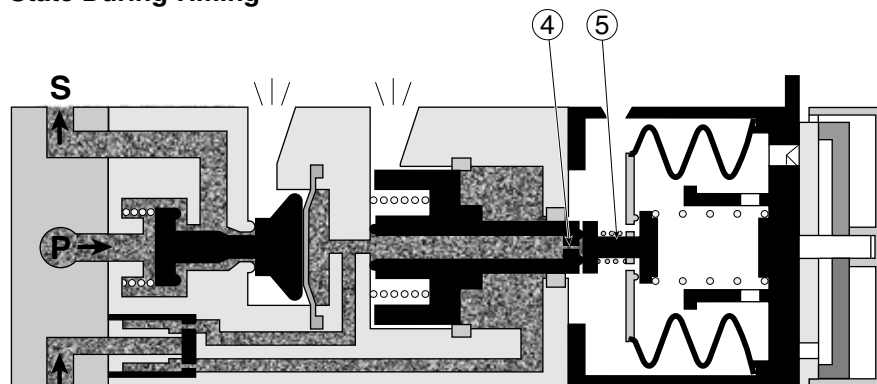
Removing the signal "a" automatically resets the time delay relay. Output S disappears.



Unactuated State (Before Timing)



State During Timing

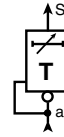
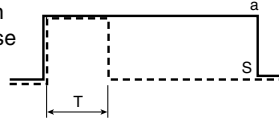


Actuated State (After Timing)

Adjustable Pulse Output Timer

Maintained input generates adjustable pulse output. When maintained input "a" goes ON, output S goes ON then drops OFF after an adjustable time period T even though "a" is still on.

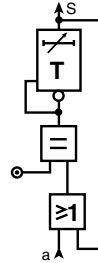
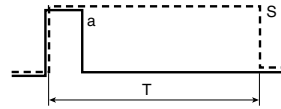
Maintained input "a" provides an adjustable pulse output using inverted TDR.



Single Adjustable Pulse Output Timer

Momentary input generates single adjustable pulse output (one shot). This circuit is useful when a brief signal needs to be prolonged, for example, rapidly actuated limit switches.

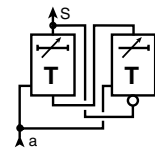
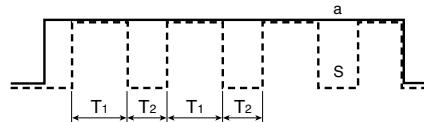
Momentary input "a" generates longer output S. After adjustable time period T, the inverted TDR cuts off output S.



Adjustable Reciprocate Output Timer

Maintained input generates repeated pulse output (clock signal). Maintained input "a" generates continuously repeated pulse output S.

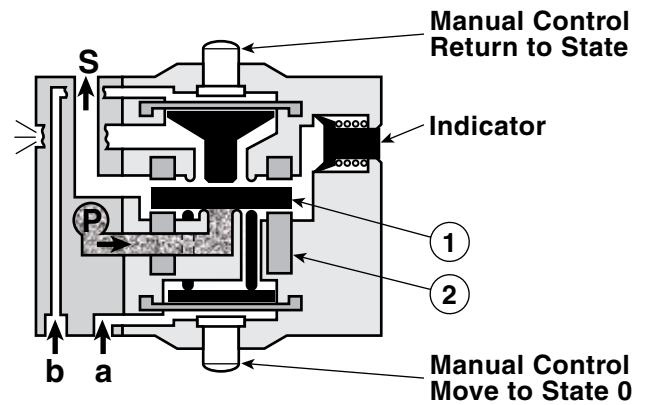
- The time duration of pulse S is adjustable separately.
- The time between pulses is adjustable separately.



Memory Operation

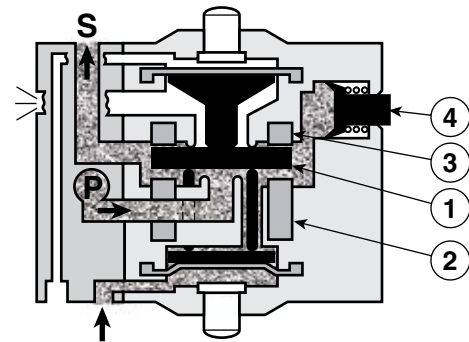
• OFF

Held in position by magnet ②, Poppet ① closes off supply pressure P.



• SET

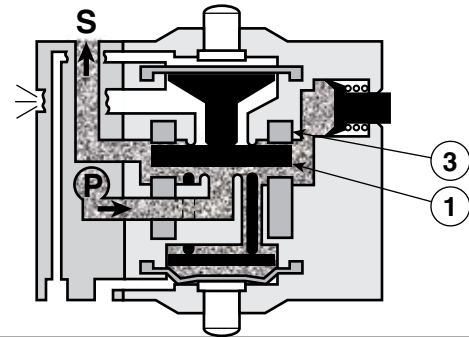
Input signal "a" acting on a diaphragm drives poppet ① from magnet ② to magnet ③ allowing pressure to flow. Output signal S appears as indicated by position indicator ④.



• ON

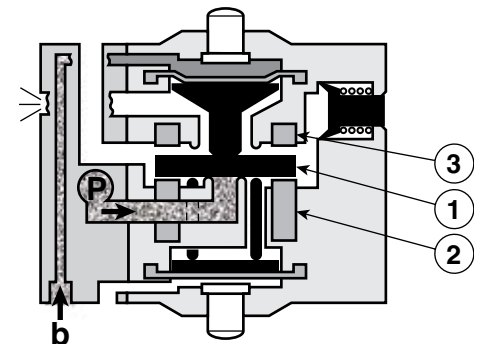
When input "a" is removed, output S is maintained since magnet ③ holds poppet ① seated.

Note: If pressure is lost, the last MEMORY will maintain its last position.



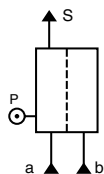
• RESET

Input "b" acting on the opposite diaphragm returns poppet ① to magnet ②. Output S is removed and exhausted to atmosphere.



Memory Relay Without Subbase For Mounting On 4-Port Modular Subbase

Specifications



PLMA10

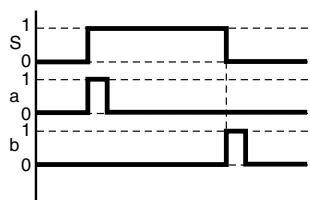
Part Number	Description
PLMA10	3-Way Double Air Pilot Operated Valve. Reset Signal "b" Always Has Priority Over Set Signal "a". With Manual Override
PLMA12	PLMA10 on PZUB12 Subbase

The Memory element is a relay designed to maintain output signal S after disappearance of the input signal which generated it.

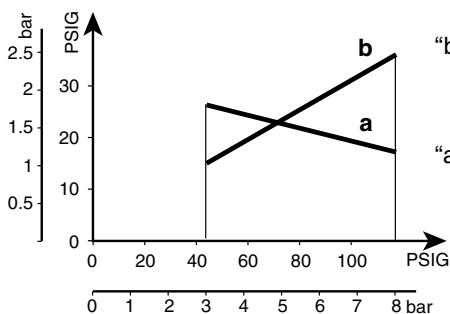
- Air Quality**
 Standard Shop Air, Lubricated or Dry, 40 µm Filtration
- Cv**0.14 (1.8)
- Flow rate at 90 PSI (6 bar) in SCFM (l/mn ANR)**....6.4 (180)
- Materials –**
- Body.....Polyamide
 - Poppet..... Polyurethane
 - Seals..... Nitrile (Buna N)
- Mounting** 4-Ported Subbase
- Number of Operations with Dry Air at 90 PSI and 70°F, Frequency 1 Hz**..... 10 Million
- Operating Positions**..... All
- Operating Pressure** 40 to 115 PSIG (3 to 8 bar)

- Response Time** 2 to 3 msec
- Temperature –**
- Operating 32°F to 122°F (0°C to +50°C)
 - Storage -22°F to 140°F (-30°C to +60°C)

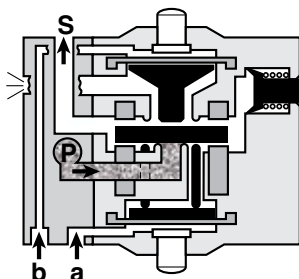
Special Characteristics



The signal "a" for setting to State 1 causes the output Signal S to be maintained. This will only be erased by the Signal "b" for resetting to State 0.

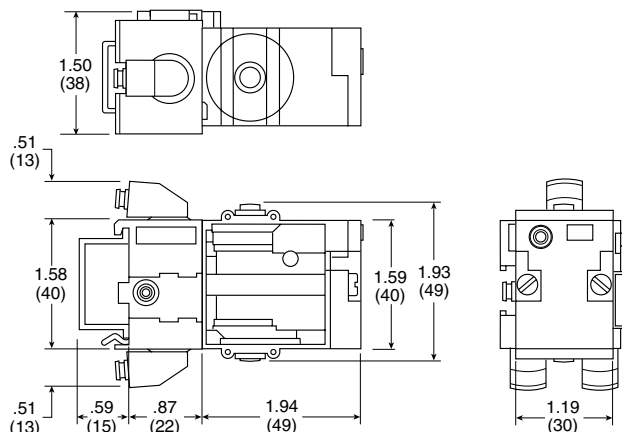


"b" = Resetting to State 0 of the Memory
 "a" = Setting to State 1 of the Memory



Dimensions

PLMA12



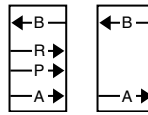
Step Module

A



PSMA10

Head / Tail Set (For 35mm DIN Rail Mounting)

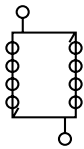


PSEA127

Part Number	Description
PSMA10	With Manual Override, Less Base
PSMB10	Without Manual Override, Less Base
PSMA12	PSMA10 on PSBA12 Base
PSMB12	PSMB10 on PSBA12 Base

Part Number	Description
PSEA127	Required to assemble Modular Sequencer Provides Inlet & Signal Ports

Step Module Subbase



PSBA12

Deviation Models



Standard



Blocked Port



PSDB12

Part Number	Description
PSBA12	For Mounting with PSM•10 Step Modules

Part Number	Description
PSDA12	Standard: - Parallel Sequences - Selection Sequences - Repeat Sequences - Skip Steps
PSDB12	Blocked Port: For the Remote Reinitialization of the Blocked Port

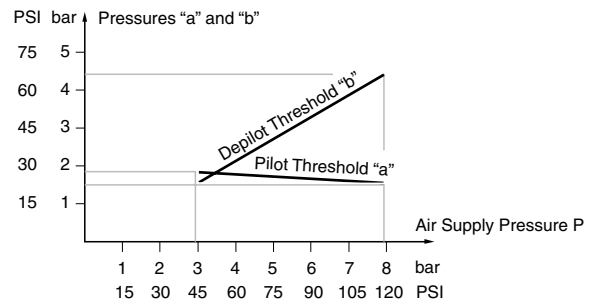
Step Module Interlock



PSVA12

Part Number	Description
PSVA12	Mounted between the Subbase and the Step Module to Interrupt the Sequence if a Sensor Signal is Faulty.

Pilot & Depilot Pressures Reset Signal always takes priority over Set Signal in a Step Module.



Specifications

Air Quality –

Standard Shop Air, Lubricated or Dry, 40 µm Filtration

Cv0.14 (1.8)

Flow rate at 90 PSI (6 bar) in SCFM (l/mn ANR)....6.4 (180)

Function –

3-Way, Double Air operated Valve with priority reset (Reset signal takes precedence over set signal).

Materials –

- Body.....Polyamide
- Poppet..... Polyurethane
- Seals..... Nitrile (Buna N)

Number of Operations with Dry Air at 90 PSI and 70°F, Frequency 1 Hz..... 10 Million

Operating Pressure 40 to 115 PSIG (3 to 8 bar)

Ports –

PSEA127: Supply 1/4", All Others 5/32"

PSDA12, PSDB12, PSBA12, PSVA12: All 5/32 use Semi- Rigid Nylon or Polyurethane Tube

Response Time 2 to 3 msec

Temperature –

Operating 32°F to 122°F (0°C to +50°C)

Storage -22°F to 140°F (-30°C to +60°C)



Sequencer Special Applications

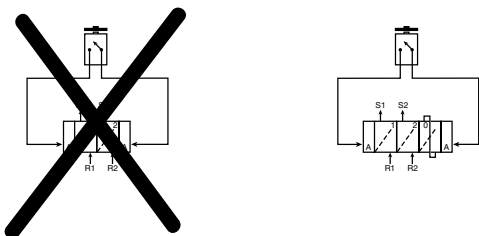
Application of Dummy Modules

In most applications the rule of thumb for sequencer circuit design is "one step module for each step in the cycle".

Some applications, particularly those involving several sequencers controlling sub-programs, may require the use of dummy modules.

Following are the most frequent instances and the method for handling each one.

Less than 3 Steps in the Cycle

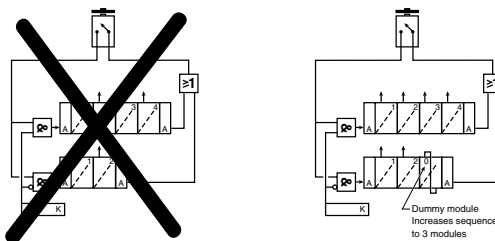


Module 1 cannot start because of module 2 resetting it while at the same time pressurizing the recycle loop.

Dummy module 0, with its output connected to its feedback port, pressurizes the recycle loop without resetting module 1. In most cases, sequencers must have at least 3 modules to operate.

Parallel Lines in the Cycle

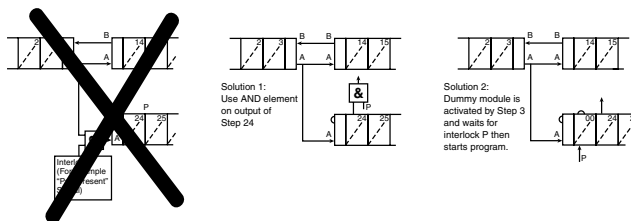
- Input k determines which program will be activated.
- One program has less than 3 steps.



The rule of "3 modules minimum" applies in this case also.

Parallel Lines in the Cycle

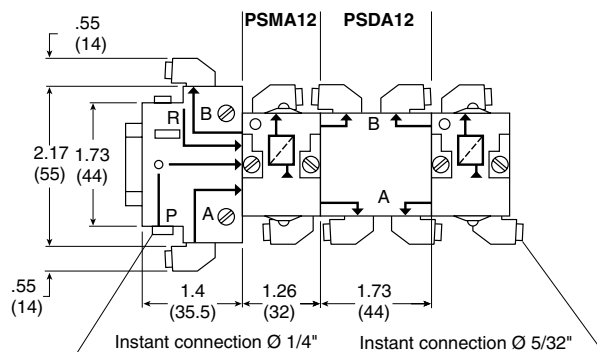
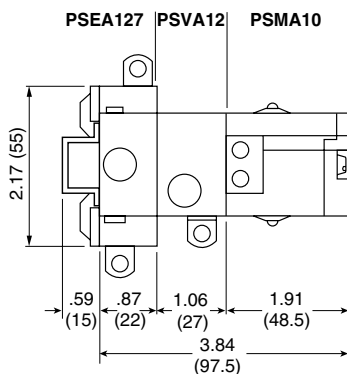
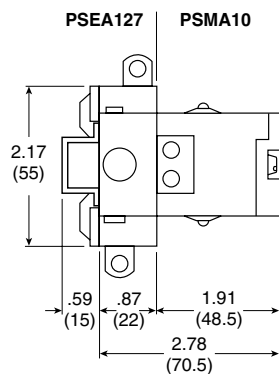
- Both programs operate simultaneously.
- Interlock P is required to start the second program.



Module 3 is reset by module 4.

If interlock P is delayed, module 3, reset by 14, will be unable to satisfy AND the function. Therefore module 24 will not start.

Dimensions





Application Example

The sequencer is inherently adapted to the control of sequential automation cycles as shown in the following example.

Machine

This typical pneumatic part forming machine consists of three pneumatic cylinders with the following functions:

- Cylinder **A**: Part Transfer
- Cylinder **B**: Part Forming
- Cylinder **C**: Part Ejecting

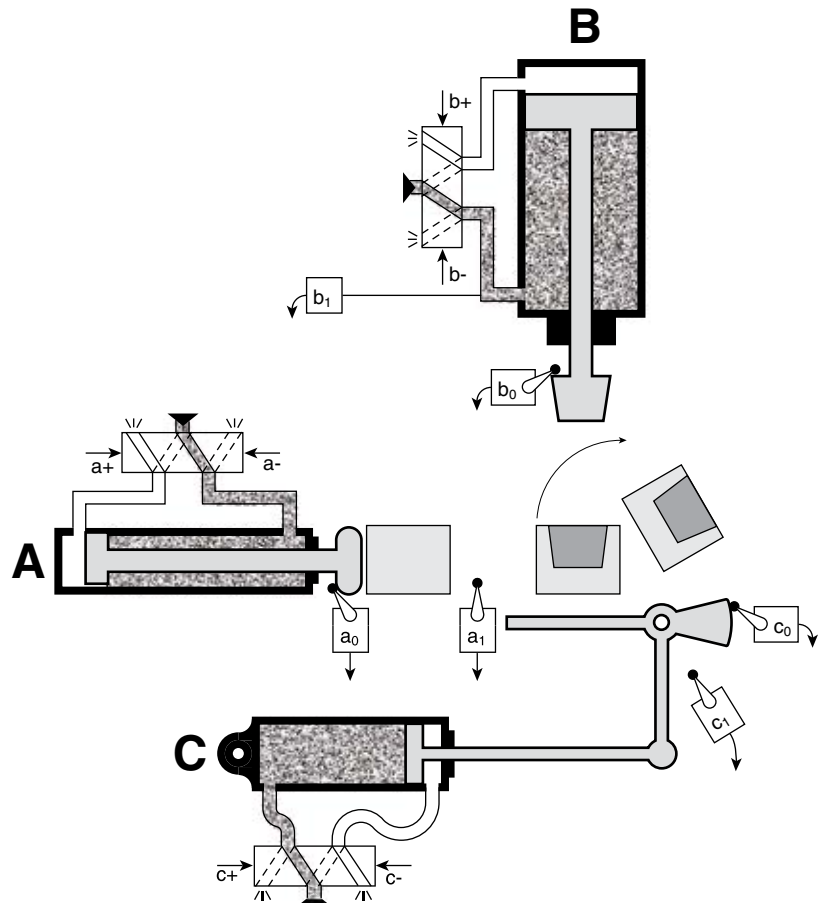
A 4-Way power valve controls each cylinder.

Limit switches are mounted at both ends of each cylinder stroke.

Push button starts the cycle..

Cycle

Step 1. Part is Transferred	A+
Step 2. Part is Formed. A retracts	B+ A-
Step 3. Cylinder B Retracts.	B-
Step 4. Part is Ejected.	C-
Step 5. Cylinder C Extends.	C+



Sequencer

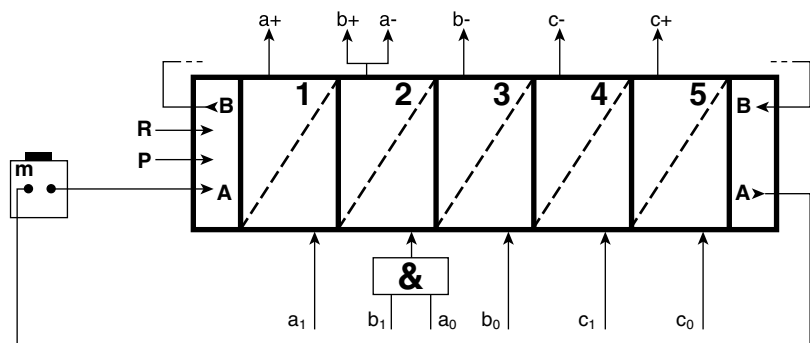
A step module is assigned to each step (or line) in the cycle.

Since there are 5 steps in the cycle, there are 5 step modules in the sequencer.

Control piping of the sequencer is immediately apparent:

- The **output** from each step module orders its assigned movement(s).
- The **feedback** from each completed movement(s) is directed back to the step module where the movement originated.

START push button is connected in series in the cycle loop.

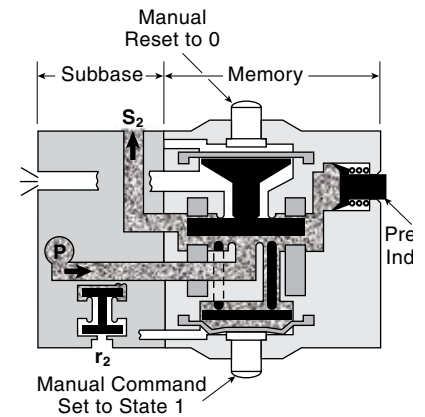
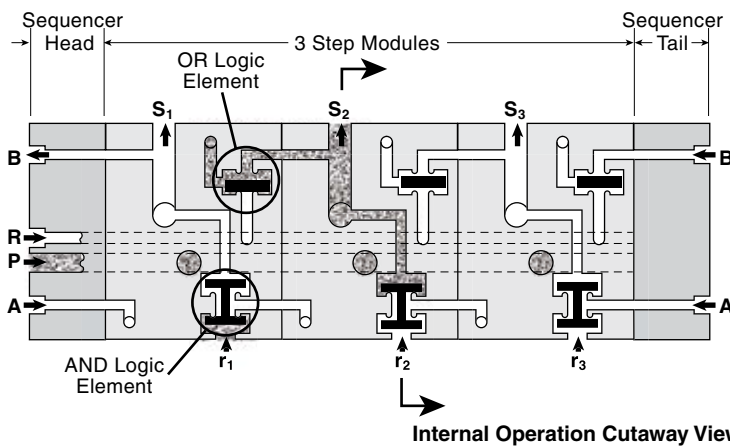
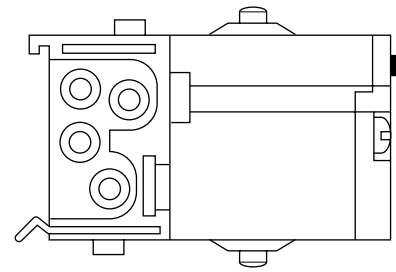
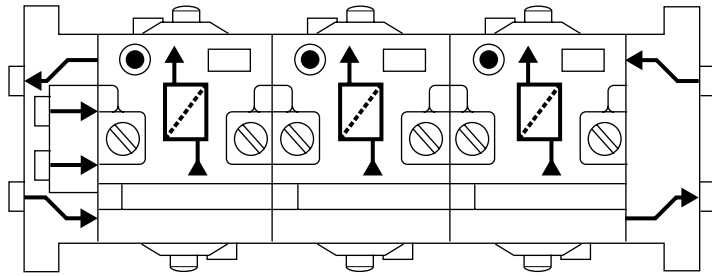


Operating Principle

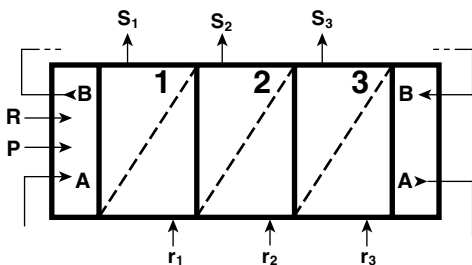
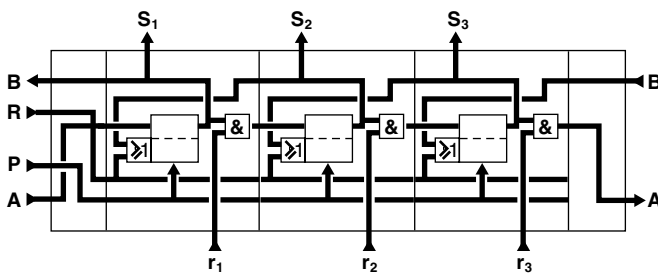
Each step module consists of a MEMORY mounted on a subbase. Integrated in each subbase are an AND function and an OR function. Module interconnections automatically plug in during sequencer assembly.

Two channels run from one end of the completed sequencer to the other:

- Common Supply Channel, inlet in entry module (P)
- General Reset Channel, input in entry module (R)



Schematic



Operating Principle

Step Module MEMORY is set (ON) by output from preceding AND element.

Output from MEMORY has three functions:

1. Provides working output for that step.
2. Resets preceding step module through OR element.
3. Pressurizes one input of its own AND element.

Upon completion of movement in the step, feedback signal "r" pressurizes second input of AND element. AND element goes PASSING (ON) and sets following step module MEMORY (ON).

Advantages of Modular Schematic

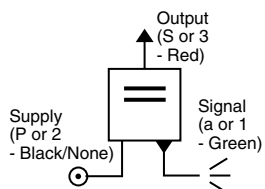
- Circuit design is immediately evident. Because circuit logic is integrated the designer has only to stack up modules. No need for elaborate diagrams.
- Cycle progression is clearly displayed. Position indicator identifies active step at all times.
- Cycle progression is fully interlocked. False feedback signals are rejected because the AND element in the active step module is the only one in PASSING state.
- Varying types of operating modes, emergency stops, "safeties" and interlock information can be plugged in as modular circuit elements.





Bleed Sensor Relay

For Mounting On Any 3-Port Base

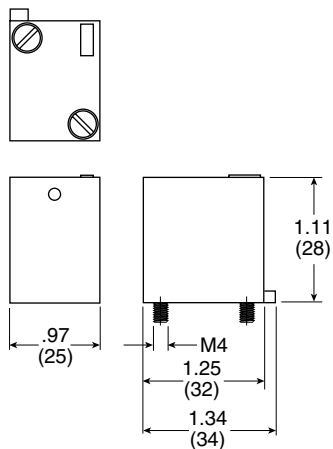


PRFA10

Part Number	Description
PRFA10	Provides a supply to a bleed sensor and generates an output signal when operated.
PRFA12	PRFA10 on PZUA12 Subbase

Dimensions

PRFA10



Specifications

- Air Quality –**
Standard Shop Air, Lubricated or Dry, 40 µm Filtration
- Cv** 0.14 (1.8)
- Flow rate at 90 PSI (6 bar) in SCFM (l/mn ANR)**... 6.4 (180)
- Function –**
3-Way Normally Closed NNP..... Yes
- Materials –**
 - Body..... Polyamide
 - Poppet..... Polyurethane
 - Seals..... Nitrile (Buna N)
- Mounting –**
Sensor.....3-Ported Subbase
- Nozzle Consumption –**
0.00487ft³ / PSI Min (2 l / bar - Min ANR)**Nozzle Ø (Of Sensor)**..... 1/32" (3mm)
- Number of Operations with Dry Air at 90 PSI and 70°F, Frequency 1 Hz**..... 10 Million
- Operating Positions**.....All
- Operating Pressure** 40 to 115 PSIG (3 to 8 bar)
- Response Time** 2 to 3 msec
- Temperature –**
 - Operating 32°F to 122°F (0°C to +50°C)
 - Storage -22°F to 140°F (-30°C to +60°C)

Bleed Sensors

Bleed sensors are used for the sensing of low forces and short travel. They are simple to install and connect. The detected object blocks the bleed air at low flow. An increase of pressure in tube (T) creates a pneumatic signal (S) on the relay equal to the supply pressure (P).



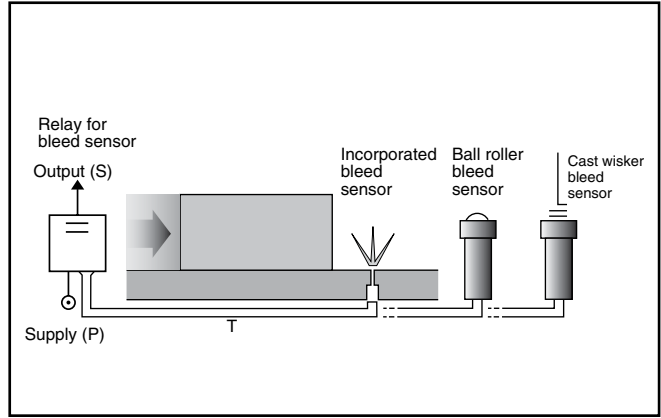
PXFA111



PXFA121



PXFA131

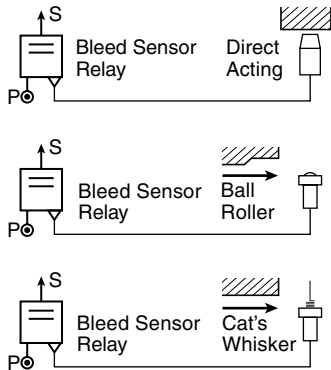


For Use With PRFA12 Relay		
Part Number	Port	Actuator
PXFA111	5/32" Instant	Touch
PXFA121	5/32" Instant	Ball Roller
PXFA131	5/32" Instant	Cat's Whisker

Application

Bleed sensors make it possible to sense very low actuating forces or small motions in a small space. They are easy to install and connect, as they only require a single tube.

Note: The length of the interconnecting tube must remain short if quick response times are required.



Specifications

Minimum Pre-Travel at 6 bar –

PXFA12•040 (1 mm)

Maximum Travel –

PXFA12•110 (2.8 mm)

Minimum Operating Force at 90 PSI (6 bar) –

PXFA12• 11 oz. (3 N)

Minimum Operating Torque at 90 PSI (6 bar) –

PXFA13• 1.3 in-oz (12.5 mmN) (Center of Operator)

Sensing Distance –

PXFA11• Direct

PXFA12• Direct

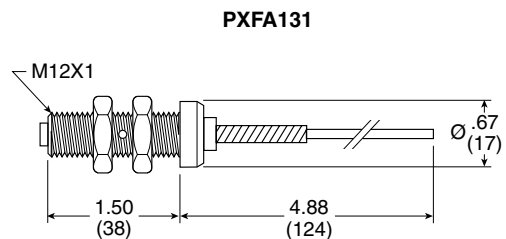
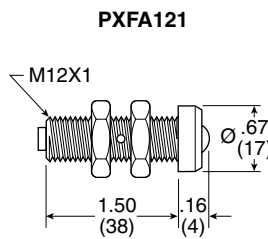
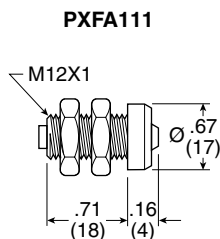
PXFA13• Direct

Sensing Angle –

PXFA13• 10°

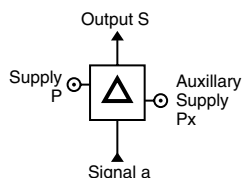
For PRFA12 Specifications, see Relays in Section A of this Catalog.

Dimensions



Amplifier Relay
For Mounting On 4-Port Base

A

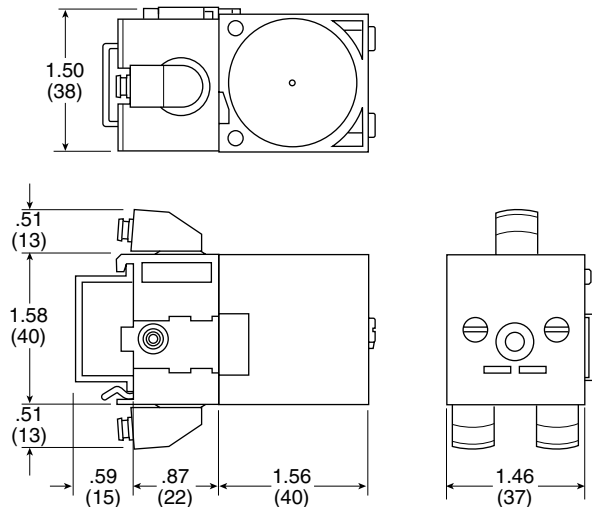


PRDA10

Part Number	Description
PRDA10	Amplifies the low pressure With signal coming from a fluidic Manual proximity sensor to a Override usable level.
PRDA12	PRDA10 on PZUB12 Subbase

Dimensions

PRDA12



Specifications

- Air Quality –**
Standard Shop Air, Lubricated or Dry, 40 µm Filtration
- Cv** 0.14 (1.8)
- Flow rate at 90 PSI (6 bar) in SCFM (l/mn ANR)**... 6.4 (180)
- Function –**
 3-Way Normally Closed NNP..... Yes
- Materials –**
 - Body..... Polyamide
 - Poppet..... Polyurethane
 - Seals..... Nitrile (Buna N)
- Mounting –**
 Amplifier.....4-Ported Subbase
- Number of Operations with Dry Air at 90 PSI and 70°F, Frequency 1 Hz** 10 Million
- Operating Positions**.....All
- Operating Pressure** 40 to 115 PSIG (3 to 8 bar)
- Response Time** 2 to 3 msec
- Temperature –**
 Operating 32°F to 122°F (0°C to +50°C)
 Storage -22°F to 140°F (-30°C to +60°C)
- PRD - Amplifier Relay Only:**
- Air Signal Pressure (a)**007 to .03 PSI (0.5 to 2 mbar)
- Auxiliary Supply Pressure (Px) –**
 1.5 to 3 PSI (100 to 200 mbar)
- Consumption –**
 At 1.5 PSI (100mbar) with a = 0: 0.1 SCFM (3NI/mn)
- Maximum Operating Frequency** 10 Hz
- Manual Control**PRDA
- Replacement Diaphragm for PRDA**.... PPRL08 (Pack of 10)

Part Numbers

**Fluidic Proximity Sensor
Amplified, 1/8" I.D. Internal Orifice**



PXDA111

For Use With PRDA12 Amplifier Relay			
Part Number	Sensing Distance	Ø Mounting	Connections
PXDA111	5/64" to 3/16" (2 to 5mm)	M12 x 2	5/32" (4mm) Instant

Mounting Styles

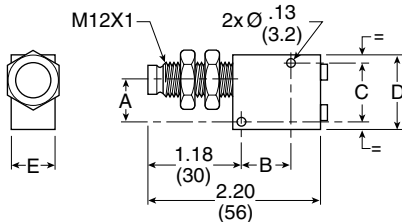
Two mounting styles are provided on each Sensor.

Nose Mount: Nuts are supplied

Flush Mount: Two clearance holes are provided in Sensor body.

Dimensions

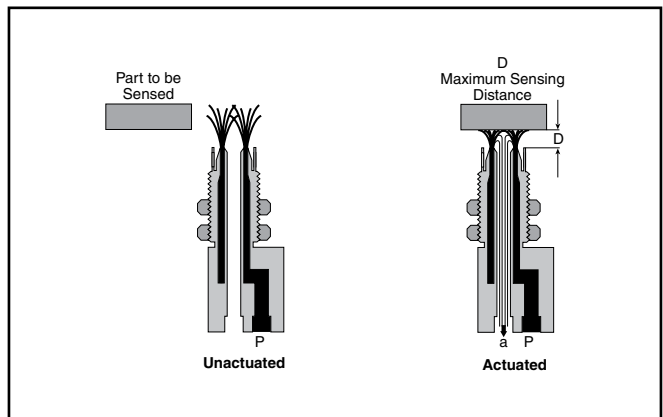
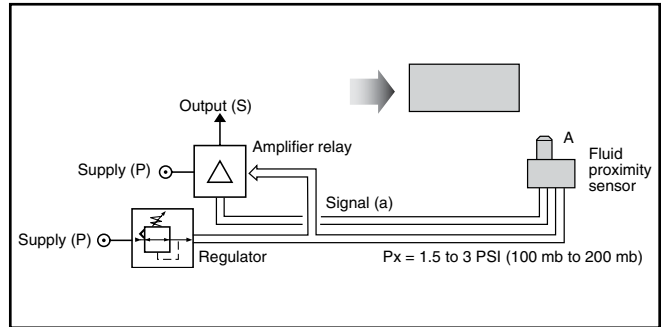
PXDA111



	inch	mm
A	.49	12.5
B	.67	17
C	.71	18
D	.98	25
E	.59	15

**Operating Principle,
Characteristics**

Fluidic proximity sensors are used when the application requires non-contact sensing of the moving part. A fluidic sensor emits a continuous air jet (A) at low pressure. When the object to be detected interferes with this air jet, a back pressure (a) is created. When this back pressure reaches the amplifier relay, an output signal (S) is generated equal to supply pressure (P).

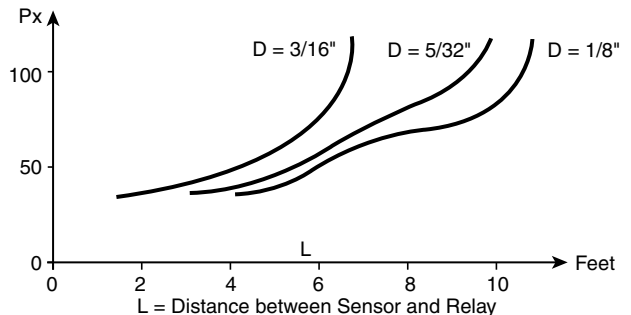


Specifications

Sensing Distance –

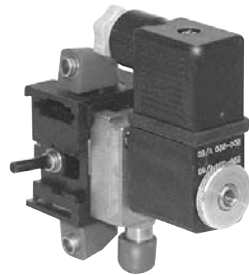
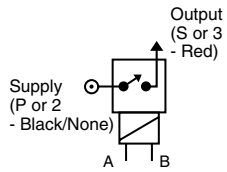
PXDA111•04 to .20 (1 to 5 mm)

Low Pressure
Supply Px
Inches of
WC



**Solenoid Relay
 With PZUA12 Subbase**

A



PRSA121B

With manual override and plug-in DIN connector
 22 x 30 mm (43650 Form B Industrial)

Part Number	Description
PRSA121B	24VAC 50/60 Hz 6VA
PRSA121F	120VAC 60 Hz 6VA
PRSA122B	24VDC 5W

**Solenoid Coil
 With Plunger and Plug-in
 DIN Connector (22 x 30mm)**



PVAF10

Part Number	Description
PVAF102B	24VDC 5W
PVAF102E	48VDC 5W
PVAF101B	24VAC 50/60 Hz 6VA
PVAF101E	48VAC 50/60 Hz 6VA
PVAF101F	120VAC 60 Hz 6VA
PVAF101M	240VAC 60 Hz 6VA

**Coil Mount
 For Mounting on any
 2 or 3-Port Subbase**



PRSD10

Part Number	Description
PRSD10	For mounting the Solenoid Coil and Plunger on a 3-Port Subbase With Manual Override

Specifications

Air Quality –
 Standard Shop Air, Lubricated or Dry, 40 µm Filtration

Consumption –
 Direct Current: Holding = 5 W
 Alternating Current: Holding = 6 VA; Inrush = 20 VA

Cv 0.05 (0.65)

Degree of Protection IP 65

Duty Rating 100 %

Electrical Connection –
 Plug-in Connector, 22-30 mm,
 Ø 9 mm Cable Entry, Terminal Capacity 1.5 mm²

Flow rate at 90 PSI (6 bar) in SCFM (l/mn ANR)..... 2.1 (60)

Manual Control Yes

Materials –
 - Body..... Polyamide
 - Poppet..... Polyurethane
 - Seals..... Nitrile (Buna N)

Mounting 3-Ported Subbase

**Number of Operations with Dry Air at 90 PSI and 70°F,
 Frequency 1 Hz**..... 10 Million

Operating Positions..... All Positions

Operating Pressure 40 to 115 PSIG (3 to 8 bar)

Rated Insulation Voltage 660V AC or DC

Response Time 8 to 12 msec

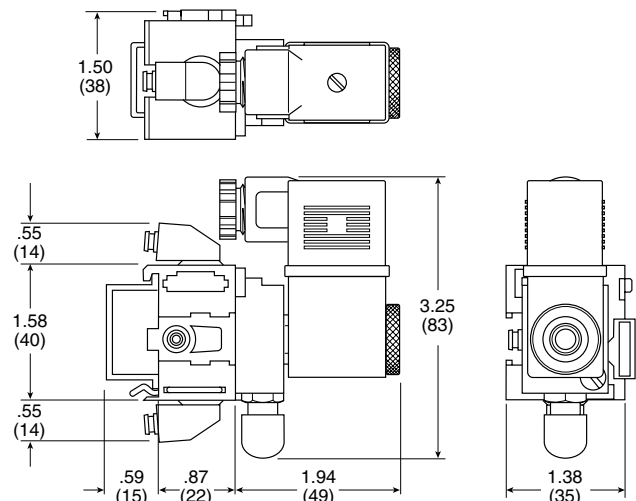
Standard Voltages –

24 VDC	48 VDC	24 VAC	48 VAC	120 VAC	240 VAC
--------	--------	--------	--------	---------	---------

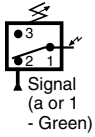
Temperature –
 Operating 32°F to 122°F (0°C to +50°C)
 Storage -22°F to 140°F (-30°C to +60°C)

Dimensions

PRSA121B



Electrical Pressure Switch Without Subbase For Mounting On Any 2 or 3-Port Base



LPS10/*

Part Number	Description
LPS10/2	1.5 to 30 PSIG Adjustable Senses Presence of Air Pressure to provide Electrical Switching
LPS10/3	10 to 100 PSIG Adjustable Senses Presence of Air Pressure to provide Electrical Switching

Units supplied with 3 crimp-on electrical terminals with insulators.

Electrical Characteristics

5A / 250V, 1 N.O. or 1 N.C. (SPDT) Contact

Terminal Number	Description
1	Common
2	Normally Passing
3	Normally Non-Passing

Specifications

Air Quality

Standard Shop Air, Lubricated or Dry, 40 µm Filtration

Degree of Protection

IP40 with Molded Connector

Depilot Pressure

Differential less than 25% of maximum range

Electrical Connection

Spade Connectors or Molded Cable

Function

SPDT Contacts (NO or NC)

Insulation Voltage Rating

250V AC or DC

Materials

- Body.....Polyamide
- Poppet.....Acetal
- Seals.....Nitrile (Buna N)

Maximum Operating Frequency

2 Hz

Mechanical Life

10 Million Operations

Mounting

2 or 3-Port Subbase

Number of Operations with Dry Air at 90 PSI and 70°F – Frequency 1 Hz

10 Million

Operating Positions

All Positions

Operating Pressure

115 PSIG (8 bar Max.)

Rated Current

5A (3A with 7097J03711 Cable)

Temperature

Operating
32°F to 122°F (0°C to +50°C)

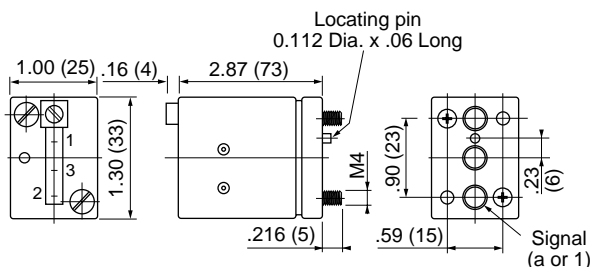
Storage
-22°F to 140°F (-30°C to +60°C)

Trip Pressure

LPS10/2 - 1.5 to 30 PSI (0.1 to 2 bar) Adjustable

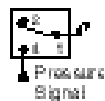
LPS10/3 - 10 to 100 PSI (0.7 to 7 bar) Adjustable

Dimensions

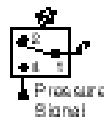




Line Mounted Pressure Switch
 (Includes Manual Override and Visual Indicator)



Fixed



Adjustable



PS1P1091

Part Number	Description	
	Electrical	Pneumatic
PS1P1081	1SPDT Contact 5A / 250V	20PSI Fixed Switching Pressure
PS1P1091	1SPDT Contact 5A / 250V	30-75 PSI Adjustable Switching Pressure

Specifications

Adjustable Trip Pressure
 30 to 75 PSI (2 to 5 bar)

Air Quality
 Standard Shop Air, Lubricated or Dry, 40 µm Filtration

Degree of Protection
 IP 40

Electrical Connections
 Screw Terminals

Fixed Trip Pressure
 ≥20 PSI (1.3 bar)

Function
 SPDT Contacts

Insulation Voltage Rating
 250V AC or DC

Materials
 - Body..... Polyamide
 - Poppet..... Polyurethane
 - Seals..... Nitrile (Buna N)

Maximum Operating Frequency
 10 Hz

Mounting
 Inline or 35 mm DIN Rail

Nominal Current Rating
 5 A

Number of Operations with Dry Air at 90 PSI and 70°F – Frequency 1 Hz
 10 Million

Operating Positions
 All Positions

Operating Pressure
 115 PSIG Max. (8 bar)

Ports
 5/32" Instant for Semi- Rigid Nylon or Polyurethane Tube

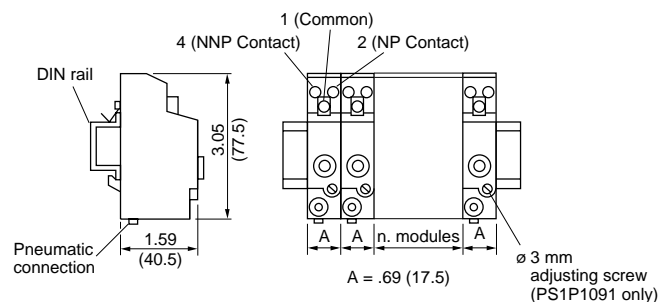
Response Time
 2 to 3 msec

Temperature
 Operating
 32°F to 122°F (0°C to +50°C)
 Storage
 -22°F to 140°F (-30°C to +60°C)

Electrical Life

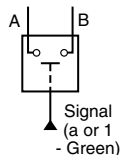
		Type of Circuit									
		AC (Switching Capacity in VA)					DC (Switching Capacity in W)				
		12V	24V	48V	120V	220V	12V	24V	48V	110V	220V
For 1 Million Operations	AC	15	25	56	115	140	17	24	37	50	54
	DC	54	86	190	370	440	42	58	88	115	105
For 2 Million Operations	AC	-	-	-	-	-	10	14	25	40	23
	DC	-	-	-	-	-	30	43	70	100	90
For 5 Million Operations	AC	8	10	14	19	21	-	-	-	-	-
	DC	21	35	82	160	200	-	-	-	-	-

Dimensions



Pressure Switch Without Subbase
For Mounting On Any 2 or 3-Port Base

Specifications



PREA10

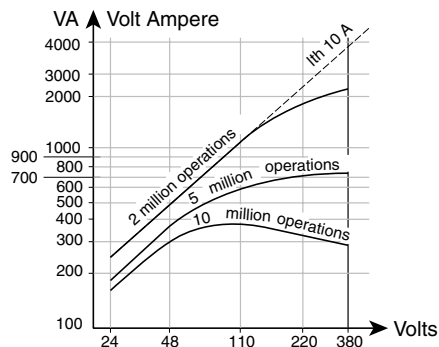
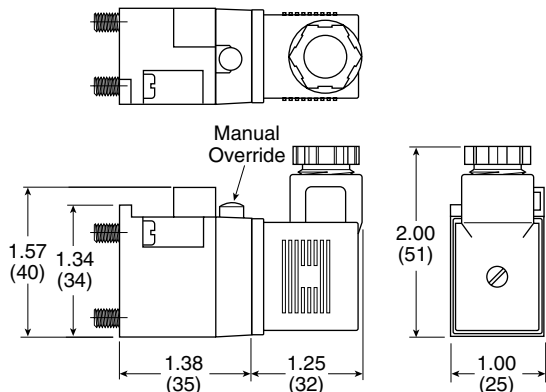
Part Number	Description
PREA10	With Manual Override and Plug-in DIN Connector 22 x 30 mm
PREA12	PREA10 on PZUA12 Subbase

- Air Quality** – Standard Shop Air, Lubricated or Dry, 40 µm Filtration
- Degree of Protection** IP 65
- Depilot Pressure** 30 to 37 PSI (2 to 2.6 bar)
- Electrical Characteristics**.... N.O. (NNP) Contact, 5A / 660V
- Electrical Connection** – Plug-in Connector, 22-30 mm, Ø 9 mm Cable Entry, Terminal Capacity 1,5 mm²
- Function** NO Contact
- Insulation Voltage Rating** 660V AC or DC
- Materials**
 - Body..... Polyamide
 - Poppet..... Polyurethane
 - Seals..... Nitrile (Buna N)
- Maximum Operating Frequency** 10 Hz
- Mounting** 2 or 3-Ported Subbase
- Nominal Current Rating** 10 A
- Number of Operations with Dry Air at 90 PSI and 70°F, Frequency 1 Hz** 10 Million
- Operating Positions**..... All Positions
- Operating Pressure** 115 PSIG Max. (8 bar)
- Response Time** 2 to 3 msec
- Temperature** –
 - Operating 32°F to 122°F (0°C to +50°C)
 - Storage -22°F to 140°F (-30°C to +60°C)
- Trip Pressure**..... 32 to 40 PSI (2.2 to 3 bar)
- Mechanical Life** –



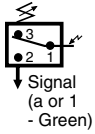
Dimensions

PREA10





Vacuum Switch
For Mounting On Any 2 or 3-Port Base



LPSV10

Part Number	Description
LPSV10	Senses Presence of Vacuum

Units supplied with 3 crimp-on electrical terminals with insulators.

Electrical Characteristics

5A / 250V, 1 N.O. or 1 N.C. (SPDT) Contact

Terminal Number	Description
1	Common
2	Normally Passing
3	Normally Non-Passing

Cable



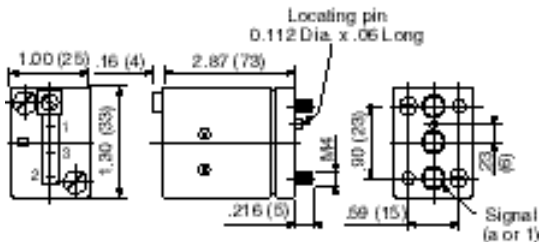
7097J03711

Part Number	Description
7097J03711	Optional for LPS10 / LPSV

Units supplied with 3 crimp-on electrical terminals with insulators.

Terminal Number	Wire Color
1	Brown
2	Blue
3	Black

Dimensions



Specifications

Air Quality

Standard Shop Air, Lubricated or Dry, 40 µm Filtration

Degree of Protection

IP40 with Molded Connector

Depilot Pressure

Differential less than 25% of maximum range

Electrical Connection

Spade Connectors or Molded Cable

Function

SPDT Contacts (NO or NC)

Insulation Voltage Rating

250V AC or DC

Materials

- Body.....Polyamide
- Poppet.....Acetal
- Seals.....Nitrile (Buna N)

Maximum Operating Frequency

2 Hz

Mechanical Life

10 Million Operations

Mounting

2 or 3-Port Subbase

Number of Operations with Dry Air at 90 PSI and 70°F – Frequency 1 Hz

10 Million

Operating Positions

All Positions

Operating Pressure

115 PSIG (8 bar Max.)

Rated Current

5A (3A with 7097J03711 Cable)

Temperature

- Operating
32°F to 122°F (0°C to +50°C)
- Storage
-22°F to 140°F (-30°C to +60°C)

Trip Pressure

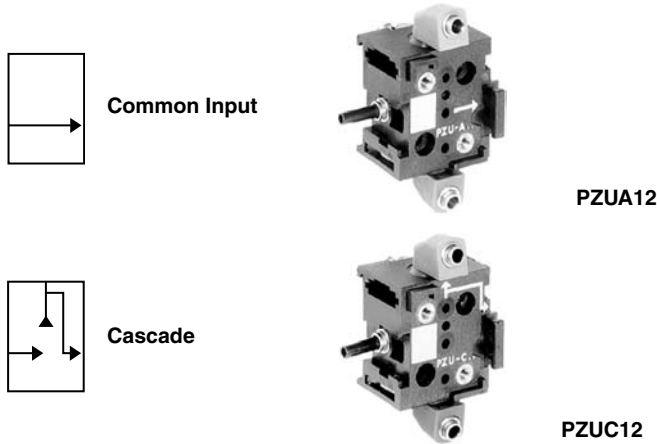
- LPS10/2 - 1.5 to 30 PSI (0.1 to 2 bar) Adjustable
- LPS10/3 - 10 to 100 PSI (0.7 to 7 bar) Adjustable



For Mounting Logic Elements And Relays

3-Port Subbases

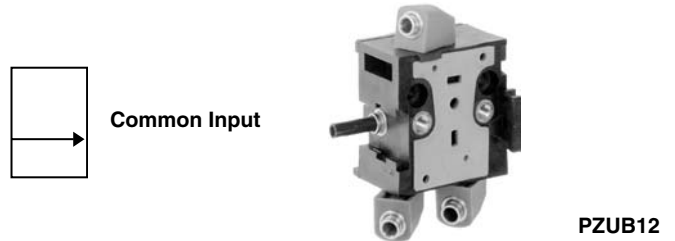
With 5/32" Instant Swivel Connections, Pressure Indicators and Integral Lock for Stacking



Part Number	Description
PZUA12	Common Input
PZUC12	Cascade

4-Port Subbases

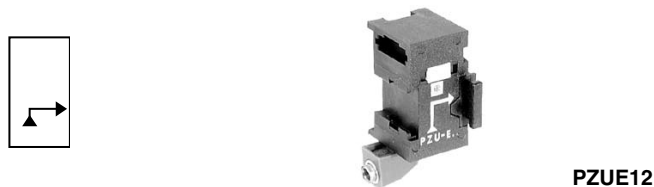
With 5/32" Instant Swivel Connections, Pressure Indicators and Integral Lock for Stacking



Part Number	Description
PZUB12	Common Input

Entry Module

With Integral Lock for Stacking



Part Number	Description
PZUE12	Relay Entry Module (Used with PZUA12, PZUB12 and PZUC12 Bases)

Specifications

Materials Polyamide and Brass

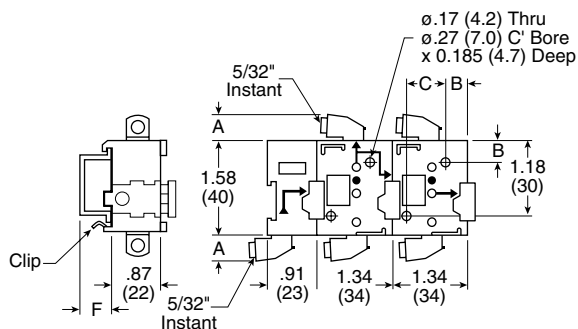
Ports –
 5/32" Instant for Semi- Rigid Nylon or Polyurethane Tube

Notes:

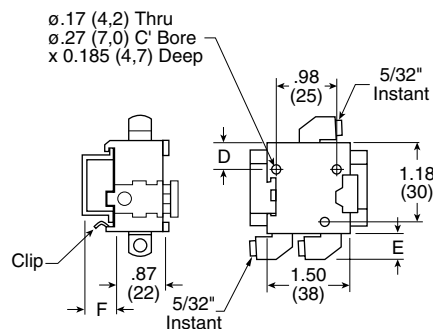
1. Can be used as individual units or in stacking assemblies.
2. May be DIN rail mounted using spring clip or surface mounted using 2 socket head cap screws.
3. PZUA12, PZUB12 and PZUC12 can be mounted together in the same assembly.
4. Units interconnect with 5/32" Tube. For replacement use 1" (25mm), 5/32" semi-rigid nylon or polyurethane.

Dimensions

PZUE12, PZUC12, PZUA12



PZUB12



	inch	mm
A	.55	14
B	.39	10
C	.59	15
D	.47	12
E	.20	5
F	.59	15



Independent Base



BNC3P10

Part Number	Description	# of Ports
BNC3P10	1/8" NPT, Individual Mount	3
BPB3P10	5/32 Instant Fitting, Machine Mount	3

Independent 2-Port Pulse Base



BNC3P20

Part Number	Description
BNC3P20	1/8" NPT, Port 1 and 2 Common
BPB3P20	5/32 Instant Fitting, Machine Mount, Port 1 and 2 Common

Specifications

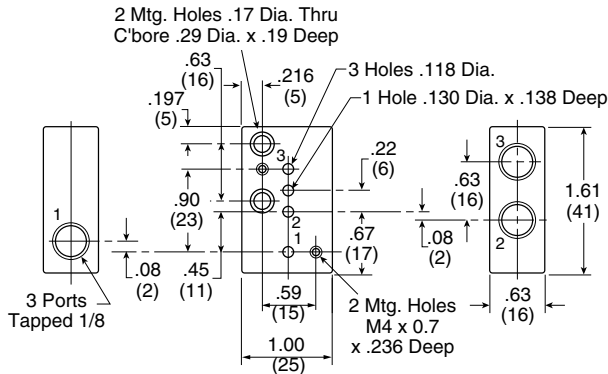
Materials (BNC).....Plated Zinc
 Materials (BPB).....Aluminum

Specifications

Materials (BNC).....Plated Zinc
 Materials (BPB).....Aluminum

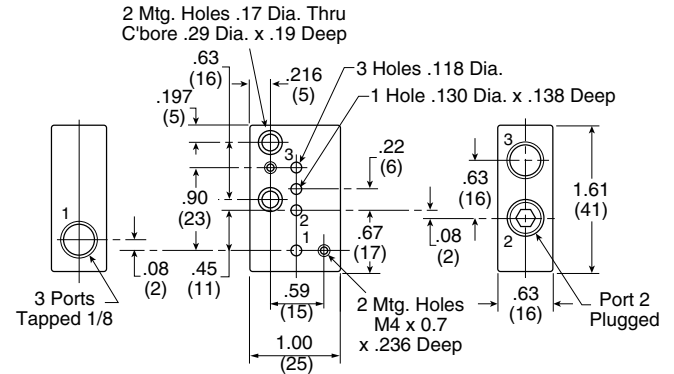
Dimensions

BNC3P10

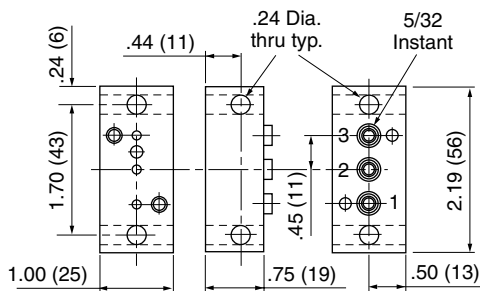


Dimensions

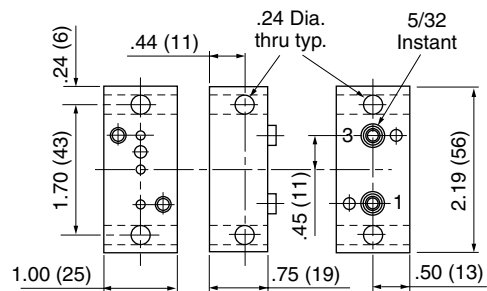
BNC3P20



BPB3P10



BPB3P20



Base Usage - Shows which components can be mounted with which base types.



Element	Part No.	Base Description / Part Number				
		Type	2-Port	3-Port	4-Port	6-Port
		Stacking		PZUA12	PZUB12	PSBA12
		Stacking		PZUC12		
		Inline	BNC3P20	BNC3P10		
Inline	BPB3P20	BPB3P10				
Step Module						
Step Module w/Overrides	PSMA10					X
Step Module w/o Overrides	PSMB10					X
Logic						
AND	PLLC10			X		
OR	PLKC10			X		
YES	PLJC10			X		
NO	PLNC10			X		
Threshold NOT	PLND10			X		
Relays						
Sensor	PRFA10			X		
Solenoid	PRSA10		X	X		
Electric Pressure Switch	PREA10			X	X	
E/P Pressure Switch	LNOTPS10			X		
Electric Pressure Switch	LPS10		X	X		
Vacuum/Electric	LPSV10		X	X		
Timers						
Timer (NNP) Relay	PRTA10		X*	X		
Timer (NNP) Relay	PRTB10		X*	X		
Timer (NNP) Relay	PRTE10		X*	X		
Timer (NP) Relay	PRTC10		X*	X		
Timer (NP) Relay	PRTD10		X*	X		
Timer (NP) Relay	PRTF10		X*	X		
Other Relays						
Memory Relay	PLMA10			X	X	
Amplifier Relay	PRDA10			X	X	

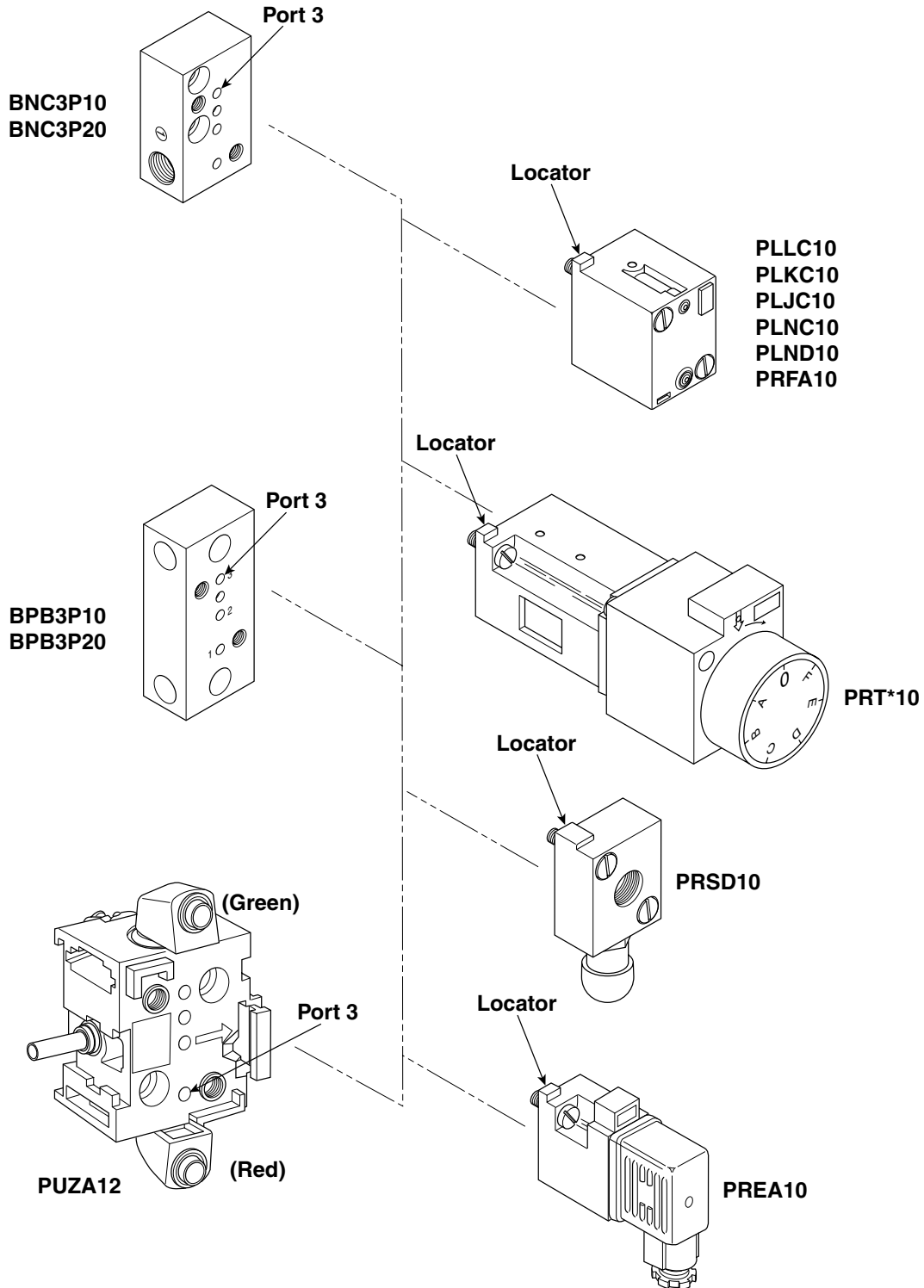
*Functionality Must be Checked.

Port	Label		Color	Used With Base	Entry Module	Head / Tail
	Supply	P			2	Black / None
Signal	a	1	Green		PZUA12	PSBA12
Output	S	3	Red		PZUC12	
					PZUB12	

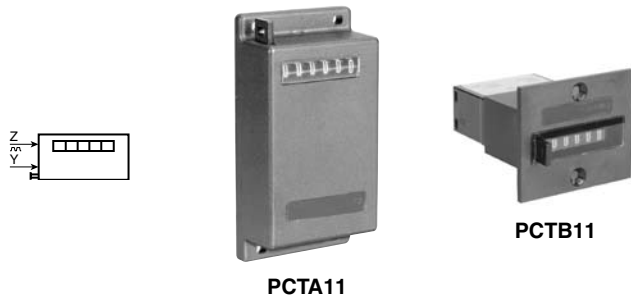




CAUTION: The logic and relay units shown on the right can be improperly assembled to the bases shown on the left. For proper assembly, the locators shown should be oriented towards port 3 on the subbases.

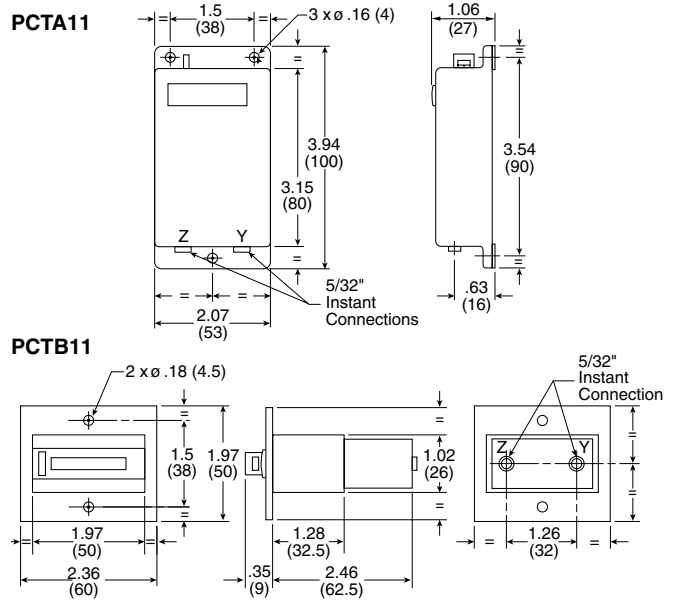


With 5/32" Instant Straight Connections
Totalizing Counters



Part Number	Description
PCTA11	0 to 999,999 Surface Mount
PCTB11	0 to 99,999 Panel Mount with 60 x 50 mm Bezel <i>(Lockable cover available, see below)</i>

Dimensions

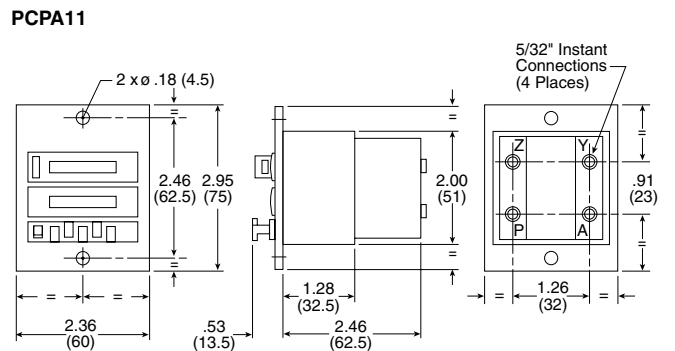


Predetermined Counters



Part Number	Description
PCPA11	0 to 99,999 Panel Mount with 60 x 75 mm Bezel <i>(Lockable cover available, see below)</i>

Dimensions



Lockable Cover

Part Number	Description
PXCA1	For 60 x 50 mm Bezel
PXCB1	For 60 x 75 mm Bezel

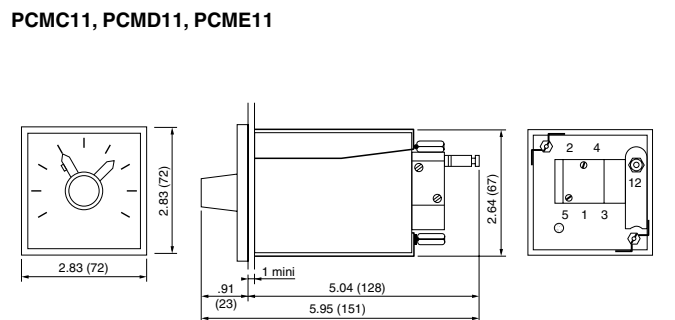


Timers with Calibrated Dial



Part Number	Description
PCMC11	3 to 100 Seconds, With Reset
PCMD11	0.3 to 10 Minutes, With Reset
PCME11	3 to 100 Minutes, With Reset

Dimensions



Specifications

A

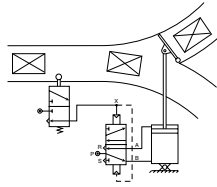
	PCTA	PCTB	PCPA	PCMC, PCMD & PCME
Connections	Standard: 5/32" Instant for Semi-rigid Tube (Nylon and Polyurethane).			
Degree of Protection	—	IP55 with Lockable Cover	IP55 with Lockable Cover	—
Function	—	—	NNP or NP	NNP
Maximum Operating Frequency	20 Hz with Mark / Space Ratio of 1/1		—	—
Mechanical Life (Number of Operations) with Dry Air at 90 PSI and 70°F – Frequency 1 Hz	10 Million		10 Million	
Mounting	Surface Mount	Panel Mount	Panel Mount	Panel Mount
Operating Positions	All Positions	All Positions	All Positions	All Positions
Operating Pressure	40 to 130 PSI (3 to 9 bar)			40 to 130 PSI (3 to 9 bar)
Operating Temperature	32°F to 140°F (0°C to 60°C)			32°F to 122°F (0°C to 50°C)
Pneumatic Reset Time	150 ms	150 ms	150 ms	200 ms
Setting Accuracy	—	—	—	—
Storage Temperature	-40°F to 160°F (-40°C to 70°C)			-22°F to 140°F (-30°C to 60°C)
Timing Accuracy	—	—	—	± 2%
Type of Air	Dry with 40 µm Filtration			Dry with 5 µm Filtration

Operating Characteristics

PCTA11 and PCTB11	Count and display the Number of impulses received.
	Pulse input at Port Z.
	Pneumatic reset at Port Y.
PCPA11	Supplies a signal at A when the preselected Number of pulses has been reached.
	The required Number of impulses is preselected using the keys associated with the lower display, which remains unchanged during counting.
	The pulses to be counted are applied to Port Z. Signal A is given as soon as the two displays show the same value.
	Port Y is used to reset the counter with a single pulse. (1)
PCMC11, PCMD11 and PCME11	The required time is preselected directly on the dial, by moving the preselection pointer to the required position.
	Timing starts when a signal appears at 12.
	This signal must be maintained continuously until the output signal appears at 2.
	Signal 2 is given at the end of the timing period.
	The output signal is “on delay” if connected to 2 and “off delay” if connected to 4.
	The timer is reset by breaking the command signal at 12.
Units have constant bleed rate of 0.14 SCFM @ 72 PSIG (4NI/min @ 5 bar)	

(1) Note: “Output” may not be used as the reset signal.

Binary Counter Valve



2147900

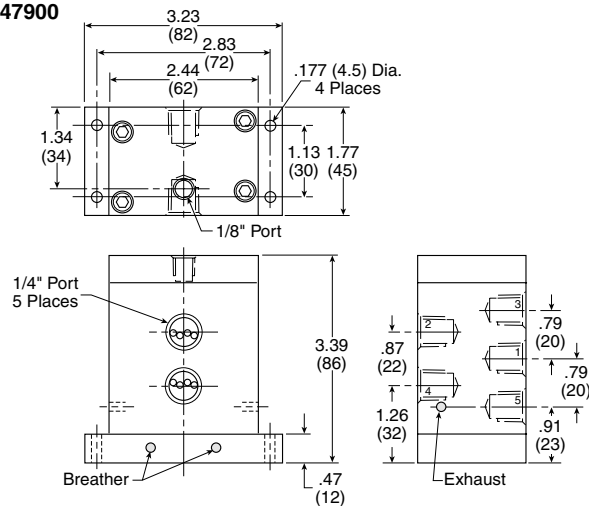
Part Number	Description
2147900	Pneumatic Actuated
2147950	Electric Actuated

Features

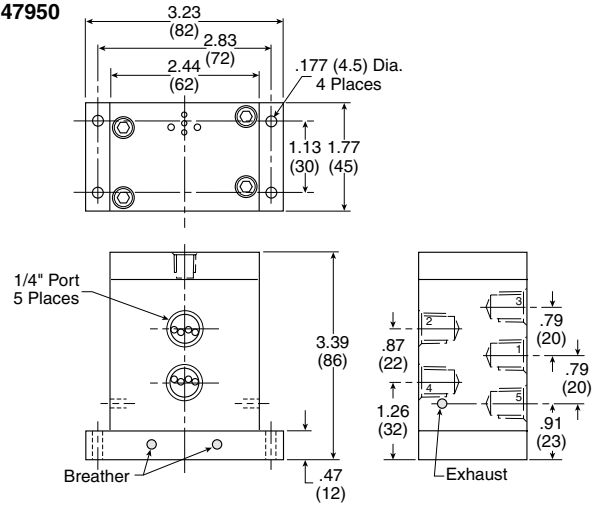
This valve is controlled by an internal integrated sequence system and utilizes the ball-point principle. (Two pilot spools and a main spool are fully integrated in an aluminum block.)

Dimensions

2147900



2147950



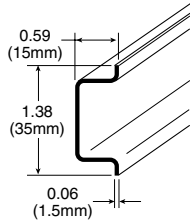
Specifications

- Air Quality –**
 Standard Shop Air, Lubricated or Dry, 50 µm Filtration
- Flow** 460 NI/min
- Materials –**
 - Body.....Anodized Aluminum
 - Other..... Steel
 - Seals.....NBR and PTFE
 - Spool..... Brass
- Mounting** M4 Bolts Thru Holes in Mounting Plate
- Operating Pressure** 58 to 145 PSIG (4 to 10 bar)
- Ports –**
 Pneumatic..... 1/4" (Ports 1,2,3,4,5)
 Actuation Port..... 1/8"
- Electrical 1/4" (Ports 1,2,3,4,5)
 Electrical Connection...P2E Solenoid, DIN 43650 Form C
- Temperature Range**32°F to 158°F (0°C to +70°C)
- 2147950 – (Solenoid & Cable Plug Must be Ordered Separately)**
 Solenoid (Manual Override, Non-locking) P2E-KV32C1
 Cable PlugP8C-H





DIN Rail



Part Number	Description
AM1DE200	6 Foot Rail Length

Subbase Plugs for 3 or 4-Port Subbases



PPRL05

Part Number	Base Component	Description
PPRL05	PZUA12	1 Set of 50 Subbase Plugs
	PZUB12	
	PZUC12	

Head and Tail Module Rail Clamping Components



PPRL09

Part Number	Base Component	Description
PPRL09	PSEA12	1 Set Comprising Of: - 20 Hooks - 20 Screws - 20 Springs

Mylar Diaphragms for Amplifier Relays

Part Number	Base Component	Description
PPRL08	PRDA10	1 Set of 10 Mylar Diaphragms
	PRDA12	

Note: To obtain 1 set of 10 Mylar Diaphragms for PRDA10, order 1 of PPRL08.

Base Mounted Component Screws M4 x 0.7 With 7mm Head Diameter

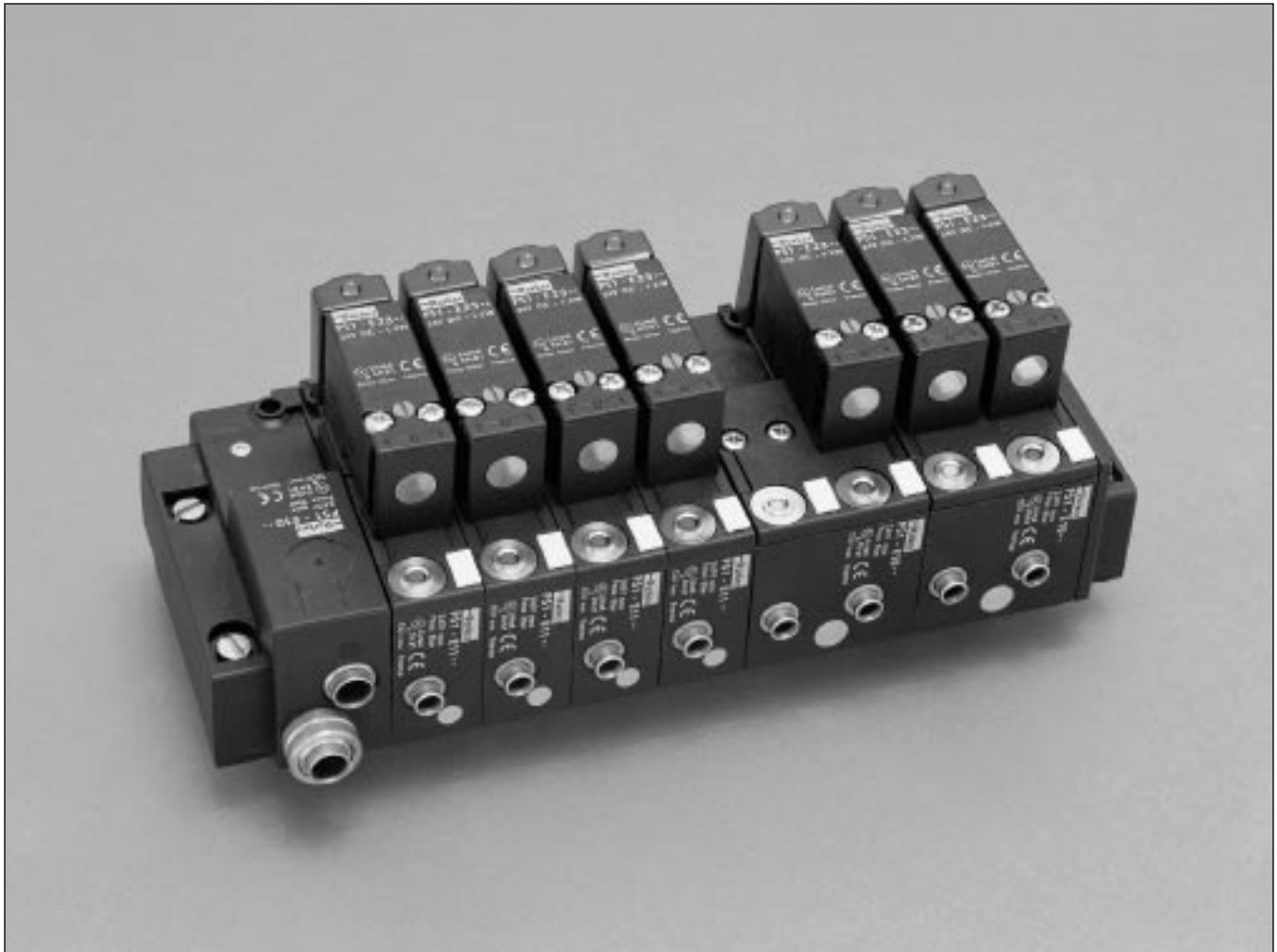
Part Number	Element	Screw Length	Replacement Screw Part Number
PLMA10	Memory Relay	50 mm	K05M11040050
PREA10	Electric Pressure Switch	12 mm	K05M11040012
PRTA10	Timer (NNP) Relay	12 mm	K05M11040012
PRTB10	Timer (NNP) Relay	12 mm	K05M11040012
PRTC10	Timer (NP) Relay	12 mm	K05M11040012
PRTD10	Timer (NP) Relay	12 mm	K05M11040012
PRTE10	Timer (NNP) Relay	12 mm	K05M11040012
PRTF10	Timer (NP) Relay	12 mm	K05M11040012
PSMA10	Step Module w/Overrides	50 mm	K05M11040050
PSMB10	Step Module w/o Overrides	50 mm	K05M11040050



PS1E Series Electro-pneumatic Interface Valves

Section B

B



Features	B2-B3
Complete Units	B4
Component Parts.....	B5
Technical Data, Dimensions	B6
Kits & Accessories.....	B7



Compact, easy to install, reliable...

Easy To Meet System Design Needs

- Full flow capacity allows direct operation of small cylinders (single or double acting) or pneumatic piloting of larger control valves (pneumatic or hydraulic).
- Valve configurations in 3/2 or 4/2 (single or double acting).
- Outlet fittings (push-in) for 5/32" or 1/4" tubing.
- System modification or expansion simplified by easily adding modules to stack.
- Wide range of voltages available.
- Multiple pressures possible in one assembly.

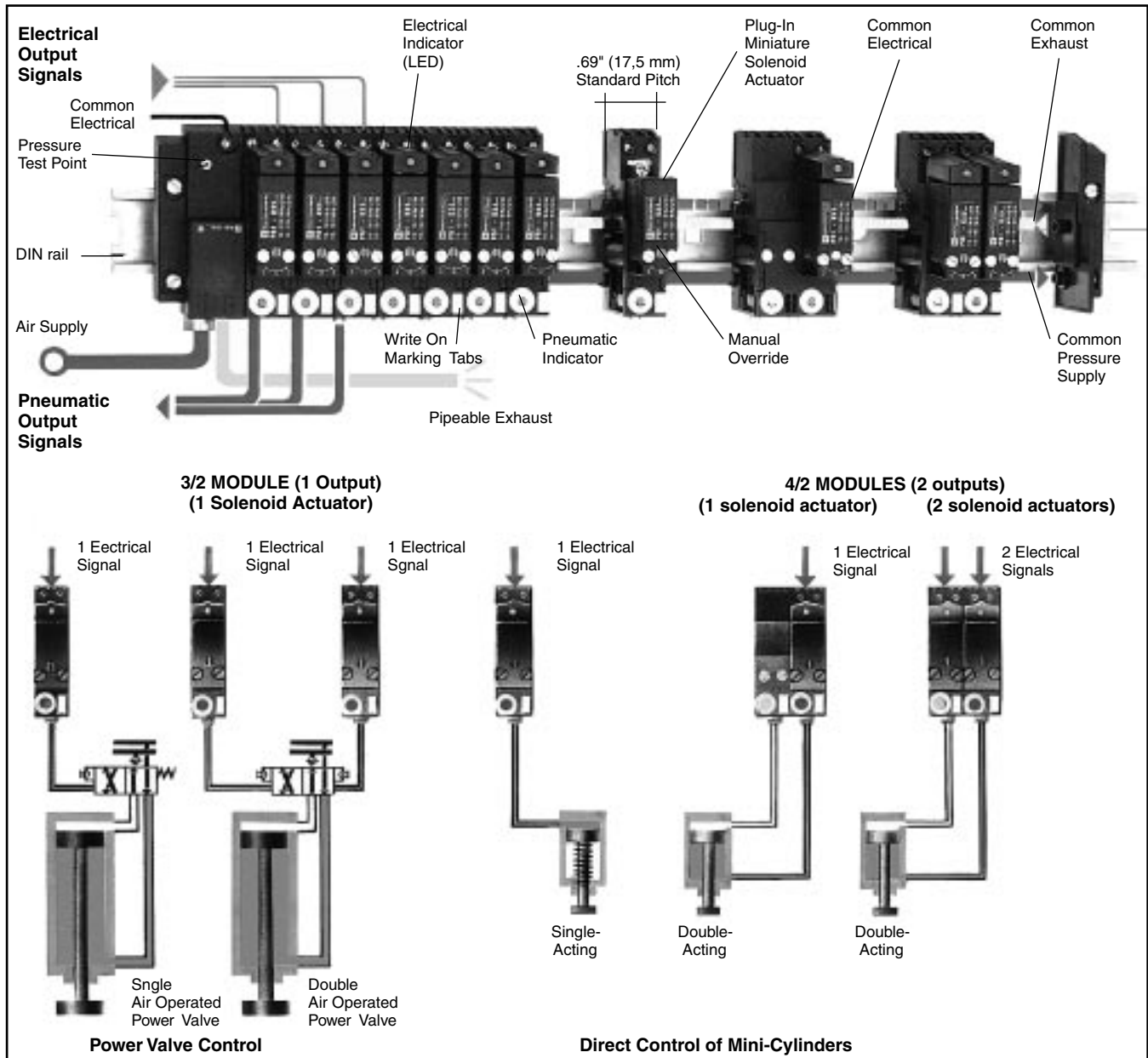
Easy To Install In Your System

- Modules snap together and mount on 35mm (DIN) rail.
- Micro-valve stack and PLC may be mounted in the same enclosure.
- Common air supply, exhaust, and electrical supply reduce connections to 1 wire and 1 tube per module.
- Supply and exhaust air can be piped with only one tube for each.
- Fast hook-up with captive wire clamp connections and push-in fittings.
- Compatible pneumo-electric module provides integrated feedback capability for the PLC.
- Eliminates cumbersome electrical connections on machine mounted solenoid valves.

Easy To Maintain System Operation

- Manual override for setup and troubleshooting.
- Poppet design for long, trouble free life (lubricated or non-lubricated air).
- Integrated diagnostics (main air test point, output pneumatic indicator, optional suppressor / LED) provide system status at a glance.
- All electrical connections are in a protected enclosure.
- Modular design and easy connection aid in module replacement or system expansion.

B



⚠ Caution: Because these are poppet valves, the common air supply pressure must be built up rapidly (never use a slow start valve 2/2 on the air supply for the interfaces).

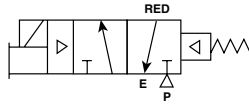
When pressure is applied, the 4/2 valve takes up a predetermined position (unactuated) when no electrical signal is present.

- Output 2 (yellow indicator) passing.
- Output 4 (red indicator) non-passing.

All units include pop-up indicator for pneumatic output. Red indicates NNP / NC function. Yellow indicates NP / NO function. All model numbers shown include non-locking manual override. (For other voltages, use component parts shown on next page).



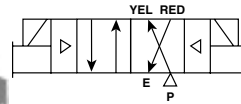
PS1E21102**



PS1E111



PS1E29102**



PS1E29102**

Assembled Units

Single Solenoid - Spring Return 3/2 - Normally Non-Passing (NNP) / Normally Closed (NC)		
Voltage	Output Port Push-In Connection Size	
	5/32" (4 mm) Tube	1/4" Tube
12V DC	PS1E21102J	PS1E216702J
24V DC	PS1E21102B	PS1E216702B
24V AC	PS1E21101B	PS1E216701B
120V AC	PS1E21101F	PS1E216701F

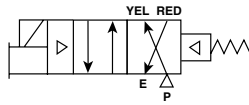
Weight: 0.21 lb (0.095 kg)

Valves Without Solenoid Operators

Output Port Push-In Connection Size		
5/32" (4mm) Tube	6mm Tube	1/4" Tube
PS1E111	PS1E116	PS1E1167



PS1E28102**



PS1E181

Assembled Units

Single Solenoid - Spring Return 4/2		
Voltage	Output Port Push-In Connection Size	
	5/32" (4 mm) Tube	1/4" Tube
12V DC	PS1E28102J	—
24V DC	PS1E28102B	PS1E286702B
24V AC	PS1E28101B	PS1E286701B
120V AC	PS1E28101F	PS1E286701F

Weight: 0.36 lb (0.165 kg)

Valves Without Solenoid Operators

Output Port Push-In Connection Size		
5/32" (4mm) Tube	6mm Tube	1/4" Tube
PS1E181	PS1E186	PS1E1867

Assembled Units

Double Solenoid 4/2		
Voltage	Output Port Push-In Connection Size	
	5/32" (4 mm) Tube	1/4" Tube
12V DC	PS1E29102J	—
24V DC	PS1E29102B	—
24V AC	PS1E29101B	—
120V AC	PS1E29101F	PS1E296701F

Weight: 0.45 lb (0.205 kg)

Valves Without Solenoid Operators

Output Port Push-In Connection Size		
5/32" (4mm) Tube	6mm Tube	1/4" Tube
PS1E191	PS1E196	PS1E1967

Head and Tail Sets

Used to mount valves to DIN rail and provide supply and exhaust ports. All hardware is included.

Single supply type supplies from one end of the manifold assembly with the other end blocked.

Double supply type provides pressure and exhaust ports on both ends of the assembly.



PS1E1027

Push-In Connection Ports	Single Supply	Double Supply
1/4" Tube	PS1E1017	PS1E1027
6mm Tube	PS1E101	PS1E102

Wt: 0.22 lb (0.100 kg) Wt: 0.28 lb (0.125 kg)

Intermediate Supply Module - PS1E10387

1/8" Pipe port for supply and exhaust ports. Allows replenishment or isolation of the supply and / or exhaust ports using included plugs.

Weight: 0.28 lb (0.125 kg)

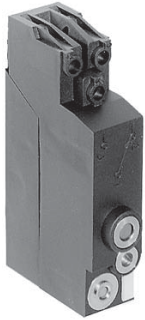


PS1E10387

1/8" Pipe Supply & Exhaust

NPT	PS1E10387
BSP	PS1E1038

B



PS1P10●●

Line Mounted Pressure Switch

Includes pop-up indicator to show presence of pressure.

Includes Clip for mounting on 35mm DIN Rail.

1 SPDT Contact

5A 250V

5/32 (4 mm) Push-In Tubing Port

8mm Pin Spacing

Switching Pressure	
20 PSIG Fixed	30 - 75 Adjustable
PS1P1081	PS1P1091

Wt: 0.11 lb (0.050 kg)

B

Plug-In Solenoid Operators

15mm Solenoids / Kits

(8mm Pin Spacing) DIN 43650C



P2E-KS32C1

Voltage	Override			Replacement Solenoid
	Non-Locking Kit	Replacement Solenoid	Locking Kit	
12VDC	PS3441B45P	P2E-KS32B1	PS3441C45P	P2E-KS32B2
24VDC	PS3441B49P	P2E-KS32C1	PS3441C49P	P2E-KS32C2
24V 50/60Hz	PS3441B42P	P2E-KS31C1	PS3441C42P	P2E-KS31C2
120V 60Hz	PS3441B53P	P2E-KS31F1	PS3441C53P	P2E-KS31F2

Kit includes: solenoid, (2) machine screws, (2) self threading screws, (1) gasket, (1) 3-cell gasket, (1) L-shaped 3-cell gasket.

Plug-In Solenoid Operators (9.4mm Pin Spacing) For Older Version (Replacement Parts Only)



PS1E230●●

OBSOLETE

Voltage	Power Consumption	Drop-out* Current (mamp)	With Non-Locking Manual Override	With Locking Manual Override
12 VDC	1.2W	—	PS1E2302J	PS1E2352J
24 VDC	1.2W	5	PS1E2302B	PS1E2352B
48 VDC	1.2W	2.5	PS1E2302E	PS1E2352E
24 V 50-60 Hz	1.6VA**	22	PS1E2301B	PS1E2351B
48 V 50-60 Hz	1.6VA**	12	PS1E2301E	PS1E2351E
120V 60Hz / 115V 50Hz	1.6VA**	5	PS1E2301F	PS1E2351F

** 3.5VA Inrush

Weight: 0.10 lb (0.043 kg)

* The solenoid valves are programmable controller compatible provided that leakage currents of the PLC outputs are lower than the drop-out current value.

Valve Specifications

Body Material Glass Filled Polyamide
Electrical Connection Captive Wire Clamp
LED / Noise Suppressor –
 120/240VAC LED Only (No noise suppressor)
 Combination LED (green) and zener diode
Life Expectancy 10 Million Operations
Maximum Operating Frequency 10 Hz
Medium Quality –
 Standard shop air, lubricated or non-lubricated, 50µ filtered
Mounting 35mm (DIN) Rail
Operating Medium Compressed air
Operating Pressure Range 40 to 120 PSI (3 to 8 bar)
Operating Principal –
 Solenoid Pilot Operated Poppet Valve
Operating Temperature Range 5° to 140°F (-15° to 60°C)

Response Time –
 10-15 ms (Electronic Signal to Pneumatic Output)
Seal Material –
 Poppet..... Polyurethane
 Seals..... Nitrile (Buna N)
Supply and Exhaust Ports 1/4"
Outlet Port | 5/32" | 1/4" |
Flow rate (SCFM @ 90 PSI) | 7.1 | 9.2 |
Cv | 14 | .16 |
Tube Connections Push-in (Instant) Fittings
Voltage Tolerance..... +10 to -15% of rated voltage @ 70°F
Wire Size..... 14 - 22 AWG

Caution: Memory in double acting (Bistable)
 4/2 modules is input dependent. Either air supply or electrical command signal must be maintained or memory may be lost.

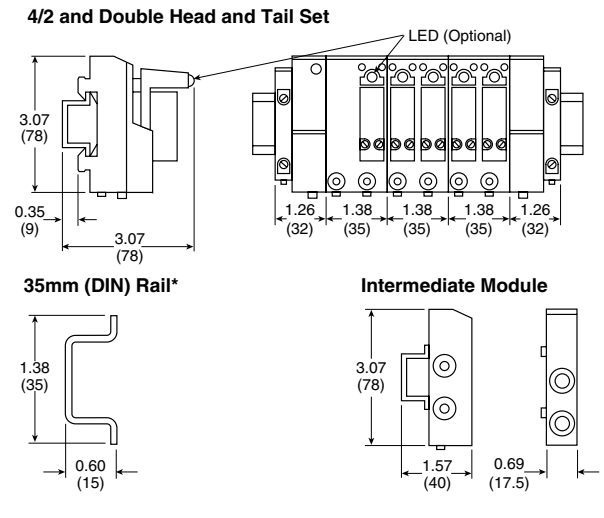
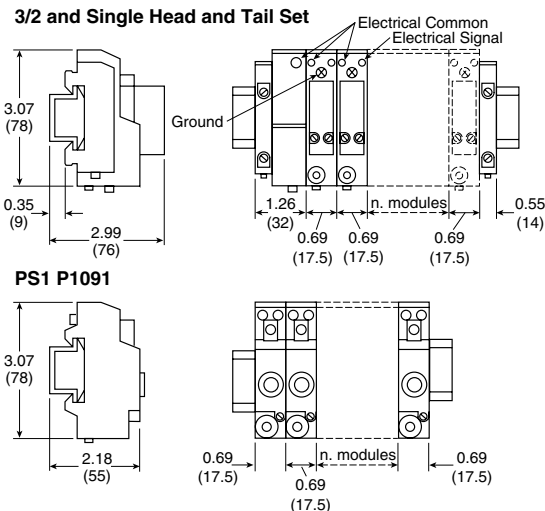
Pressure Switch Specifications

Body Material Glass Filled Polyamide
Contact Material..... Silver
Contact Rating..... 10A / 250VAC
Maximum Operating Frequency 10 Hz
Mechanical Life..... 30 million operations
Operating Pressure Range –
 Fixed Pressure..... 19 to 120 PSI (1.3 to 8 bar)
 Adjustable Pressure..... 30 to 120 PSI (2 to 8 bar)

Operating Temperature Range 5° to 140°F (-15° to 60°C)
Operating Principal Pressure Operated Micro Switch
Seal Material –
 Poppet..... Polyurethane
 Seals..... Nitrile (Buna N)
Switch Pressure –
 Fixed Pressure..... >19 PSI (>1.3 bar)
 Adjustable Pressure..... 30 to 75 PSI (2 to 5 bar)

Contact life		AC				DC		
		24V	48V	120V	240V	12V	24V	48V
1 Million Operations	Inductive	25	56	115	140	17	24	37
	Resistive	86	190	370	440	42	58	88
2 Million Operations	Inductive	–	–	–	–	10	14	25
	Resistive	–	–	–	–	30	43	70
5 Million Operations	Inductive	10	14	19	21	–	–	–
	Resistive	35	82	160	200	–	–	–

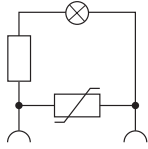
Dimensions shown in Inches (mm)



*Rail at less than 0.6" does not allow enough room for mounting clips and may cause air leaks.

Suppressor and LED Indicators for PS1E

Mount between Solenoid Valve and the Interface Module



Circuit Diagram



PS1E1620●

Characteristics	Voltage	Part Number	Weight	
			lb	kg
Indication by LED Sold in Lots of 5	24 VDC and 50/60 Hz	P8V-CR26C	.022	0.010
	48 VDC and 50/60 Hz	P8V-CR26D	.022	0.010
	115 V / 50 Hz 120 V / 60 Hz	P8V-CR24F	.028	0.012
	230 V / 50 Hz 240 V / 60 Hz	P8V-CR24J	.028	0.012

Marking Accessories

To be used in place of Write-On Marking Tabs



AB1-G●

Clip-On Marker Strips	Part Number
Strip of 10 Identical Numerals (State the Number required)	AB1-R●
Strip of 10 Identical Letters (State the Letter required)	AB1-G●
Strip of 10 - Signs*	AB1-R13

*Sold in Lots of 25 Strips of 10 Markers

B

Spare Parts

Description	Part Number
1 lot of 100 O-ring Seals Between Modules (Pressure - Exhaust)	PPR-L12
1 lot of 50 Seals Between Modules 3/2 or 4/2 and Coil PS1-E23 - 25 Seals (Type A) for Modules 3/2 and 4/2 Bistable - 25 Seals (Type B) for Modules 4/2 Monostable and Bistable	PPR-L13

Notes

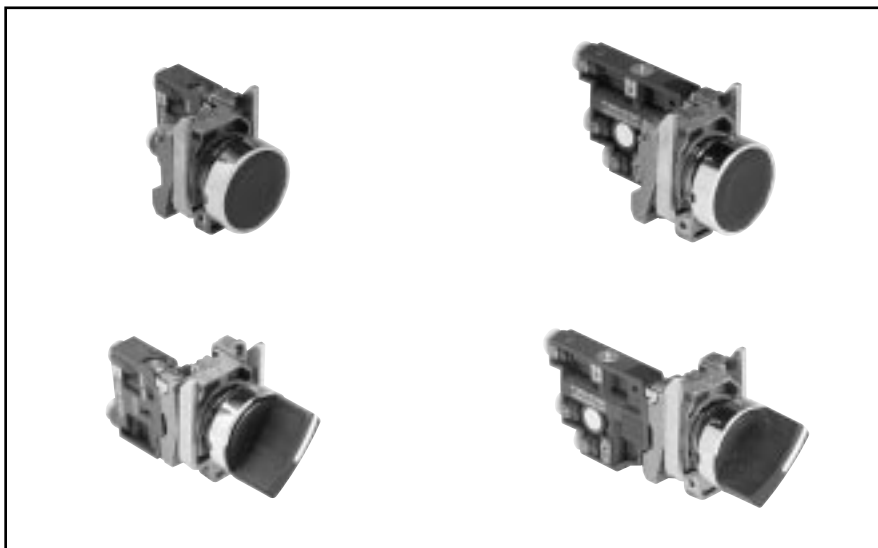
B

Section C



Basic Features	C2-C3	Joystick Operators.....	C13
Push Button, Selector Switches with Bodies	C4	Foot Pedal Operated Switches.....	C14
Push Buttons	C5	Two-Hand Controls.....	C15-C16
Selector Switches.....	C6		
Valve Bodies & Accessories.....	C7		
Dimensions & Assembly.....	C8		
Legend Plates, Specifications	C9		
Mounting.....	C10		
Visual Indicators 22mm (7/8")	C11		
Rotary Selector Switches, 22mm (7/8")	C12		

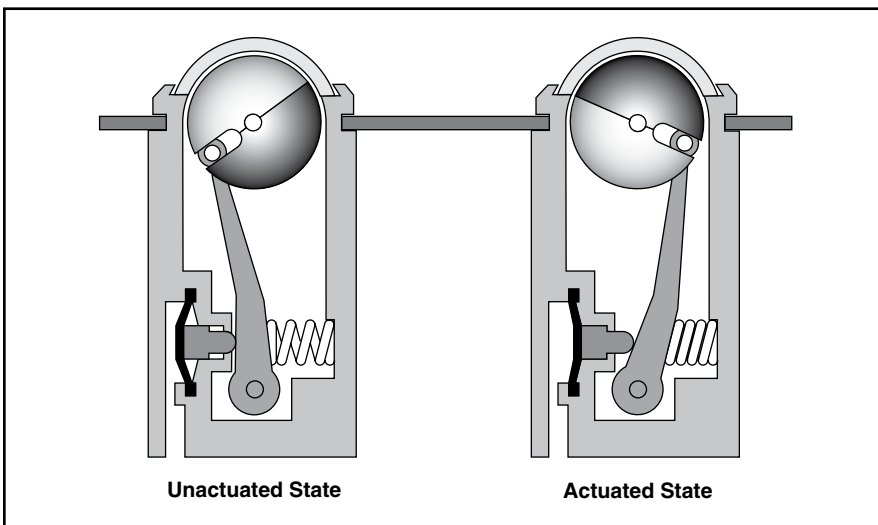
HUMAN-MACHINE DIALOG requires devices such as push buttons and selector switches to provide command inputs. A wide variety of these devices is available to meet most application needs. Both pneumatic and electrical switch bodies are available to match system technology. All of these devices use the 22 mm (7/8") mounting standard.



C

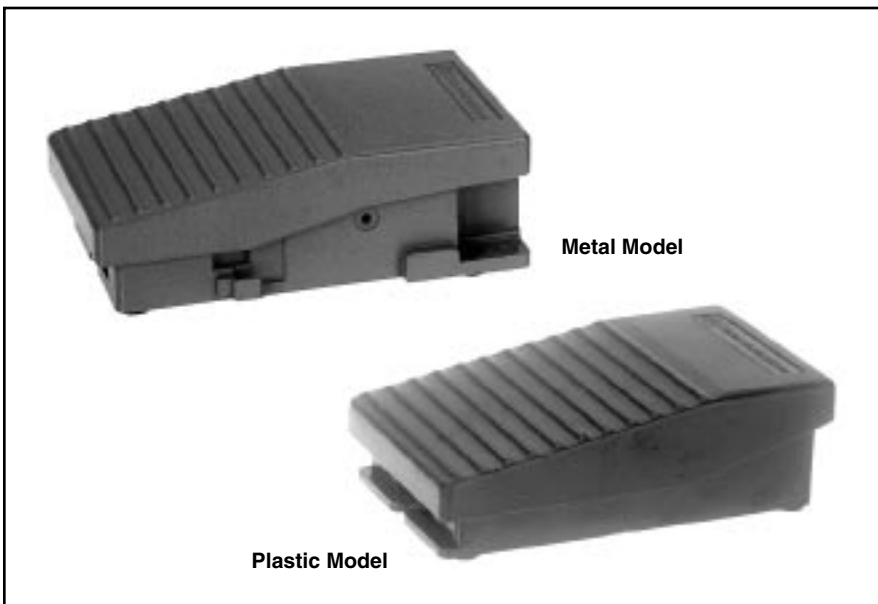
PNEUMATIC VISUAL INDICATORS

An indicator ball is rotated by a pneumatic input, changing the visible color. The ball sits behind a clear plastic window, providing a wide field of view. The visual indicators are available in five brightly colored Day-Glow paints for increased visibility. Like push buttons and selector switches, visual indicators use the 22mm (7/8") mounting standard.



FOOT PEDAL SWITCHES

When the application requires the use of foot pedals, these devices can be used to initiate a cycle or a step within a cycle. A metal foot pedal is available with protective guard.

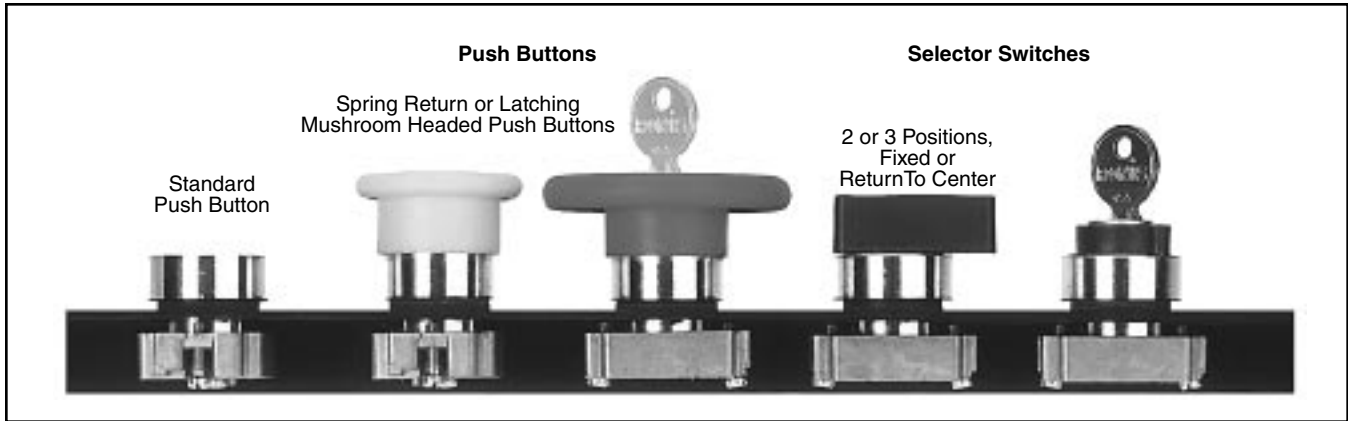
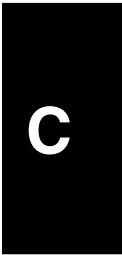
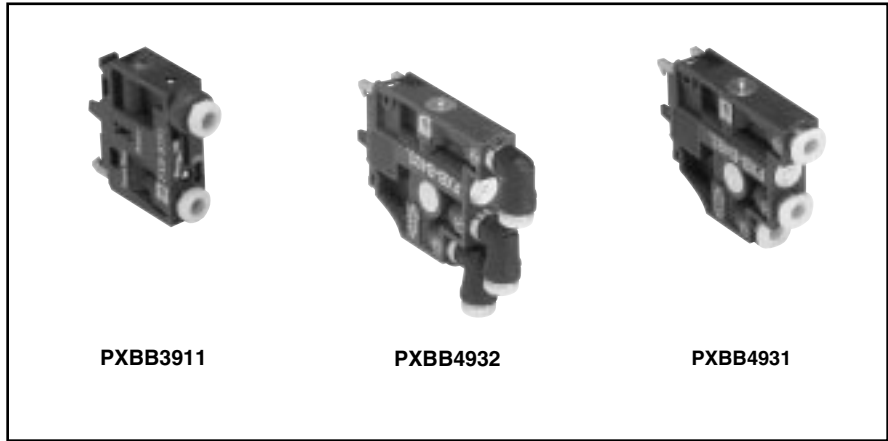


**MODULAR
PNEUMATIC / ELECTRIC
PUSH BUTTONS**

As with electrical contact switches, pneumatic valve modules can be mounted on a number of different operating heads.

- Pneumatic normally non passing (NNP) is equivalent to electrical normally open (N.O.).
- Pneumatic normally passing (NP) is equivalent to electrical normally closed (N.C.).

Note: Electrical switches can be stacked, but the rear connection on pneumatic switches prevents stacking. Therefore, when mixing electrical and pneumatic switch bodies on the same operator, the pneumatic switch must be mounted last.



Part Numbers

With 3/2 Valve Bodies 5/32" Instant Straight Connections

Flush Push Buttons



PXBB3111BA2

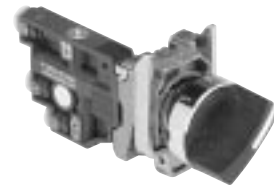


PXBB4131BA2

Selector Switches



PXBB3111BD2



PXBB4131BD2

Part Number	Color	Function	Type of Switching*
PXBB3111BA2	Black	Spring Return	NNP
PXBB3111BA3	Green		
PXBB3111BA4	Red		
PXBB3251BA2	Black	Spring Return	NNP+NP
PXBB4131BA2	Black	Spring Return	Single Universal 3-Way
PXBB4131BA3	Green		
PXBB4131BA4	Red		
PXBB4231BA2	Black	Spring Return	Dual Universal 3-Way

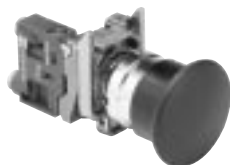
* Type of switching: Universal 3-way: valve can be connected either as NP or NNP as required by connecting the primary air supply to port 1 or port 3.

Note: Mount up to three valves on mounting ring.

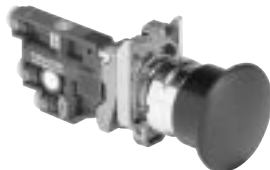
Part Number	Color	Function	Type of Switching*
PXBB3111BD2	Black	2 Maintained	NNP
PXBB3211BD2	Black	Positions with	NNP+NNP
PXBB3251BD2	Black	Std. Handle	NNP+NP
PXBB3211BD3	Black	3 Maintained Positions with Std. Handle	NNP+NNP
PXBB3251BD3	Black		NNP+NP
PXBB3211BJ5	Black	3 Positions, Spring Return to Center with Long Handle	NNP+NNP
PXBB4131BD2	Black	2 Maintained Positions with Std. Handle	Single Universal 3-Way
PXBB4231BD2	Black	2 Maintained Positions with Std. Handle	Dual Universal 3-Way
PXBB4231BD3	Black	3 Maintained Positions with Std. Handle	Dual Universal 3-Way
PXBB4231BJ5	Black	3 Maintained Positions with Long Handle	Dual Universal 3-Way

* Type of switching: Universal 3-way: valve can be connected either as NP or NNP as required by connecting the primary air supply to port 1 or port 3.

Mushroom Head Push Buttons (40mm Diameter)



PXBB3111BC2



PXBB4131BC2

Part Number	Color	Function	Type of Switching*
PXBB3111BC2	Black	Spring Return	NNP
PXBB3111BT4	Red	Push-Pul	
PXBB3121BT4	Red	Push-Pull	NP
PXBB4131BC2	Black	Spring Return	Single Universal 3-Way
PXBB4131BT4	Red	Push-Pull	

* Type of switching: Universal 3-way: valve can be connected either as NP or NNP as required by connecting the primary air supply to port 1 or port 3.

Note: Mount up to three valves on mounting ring.

Note: 0.9" Dia. Hole required for mounting.

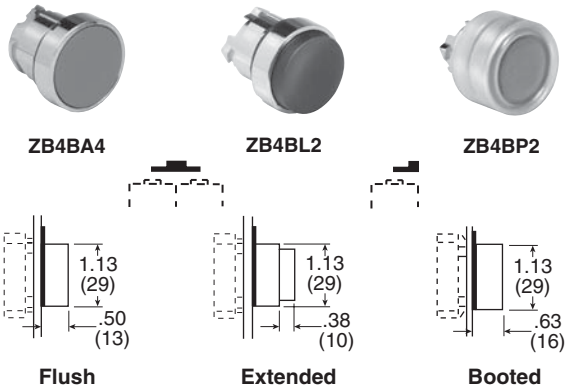
BOLD ITEMS ARE MOST POPULAR.

C

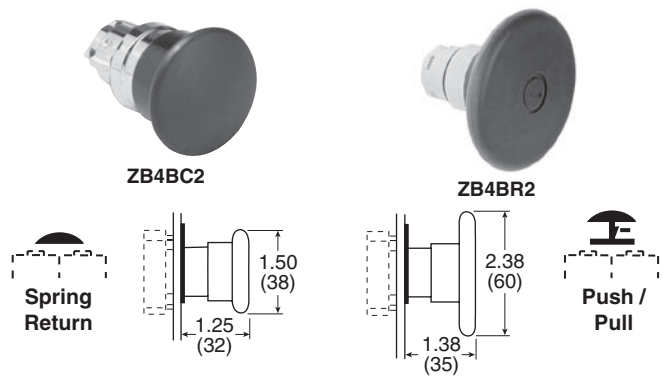


For Use With PXBB Valve Bodies and ZBE Electrical Switch Bodies

Push Buttons



Mushroom Head Push Buttons



Plastic Head ZB5**	Metal Head ZB4*	Color	Function	Description
ZB5AA2	ZB4BA2	Black	Spring Return	Flush
ZB5AA3	ZB4BA3	Green		
ZB5AA4	ZB4BA4	Red		
—	ZB4BA5	Yellow		
—	ZB4BA6	Blue		
ZB5AL2	ZB4BL2	Black	Spring Return	Extended
ZB5AL3	ZB4BL3	Green		
ZB5AL4	ZB4BL4	Red		
—	ZB4BL5	Yellow	Spring Return	Booted
—	ZB4BP2	Black		
—	ZB4BP3	Green		
—	ZB4BP4	Red		

Part Number*	Color	Function	Description
ZB4BC2	Black	Spring Return	Ø 40mm Head
ZB4BC3	Green		
ZB4BC4	Red		
ZB4BT2	Black	Latching Push-Pull	
ZB4BT3	Green		
ZB4BT84	Red		
ZB4BR2	Black	Spring Return	Ø 60mm Head
ZB4BR3	Green		
ZB4BR4	Red		

* ZB4*** Model Numbers are Metal Head Operators

* ZB4*** Model Numbers are Metal Head Operators
 ** ZB5*** Model Numbers are Plastic Head Operators

Push / Push Buttons



Part Number*	Color	Function	Description
ZB4BH02	Black	Detent 2-Position	Flush
ZB4BH03	Green		
ZB4BH04	Red		

* ZB4**** Model Numbers are Metal Head Operators

Mounting Accessories



Part Number	Color	Description
ZB2BZ19	Black Plastic	Standard for 60mm Mushroom Heads
ZB5AZ905	—	Plastic Head (ZB5) Mounting Nut Tightening Tool

BOLD ITEMS ARE MOST POPULAR.

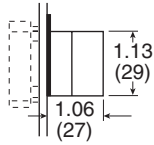


For Use With PXBB Variable Composition Switch Bodies

Selector Switches



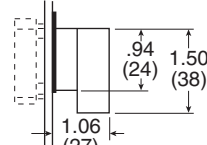
ZB4BD3



Standard Selector



ZB4BJ3

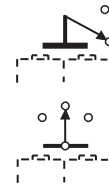
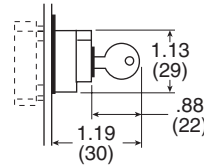


Knob Lever

Key Operated Selectors



ZB4BG2



C

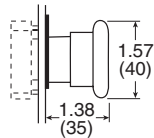
Standard Black Handle		
Part Number*	Description	Function
ZB4BD2	Maintained	2-Positions
ZB4BD4	Spring Return from Right to Left	
ZB4BD3	Maintained	3-Positions
ZB4BD5	Spring Return to Center from Left and Right	
ZB4BD7	Maintained Right Spring Return from Left to Center	3-Positions
ZB4BD8	Maintained Left Spring Return from Right to Center	3-Positions
Long Black Handle		
ZB4BJ2	Maintained	2-Positions
ZB4BJ4	Spring Return from Right to Left	
ZB4BJ3	Maintained	3-Positions
ZB4BJ5	Spring Return to Center from Left and Right	

* ZB4*** Model Numbers are Metal Head Operators

Key Operated		
Part Number*	Key Withdrawal	Function
ZB4BG2	Left	2 Maintained
ZB4BG4	Left and Right	Positions
ZB4BG3	Center	3 Maintained
ZB4BG5	Left and Right	Positions
ZB4BG7	Center	3-Positions 2 Spring Return to Center

* ZB4*** Model Numbers are Metal Head Operators

Mushroom Head Push Buttons with Key Select



ZB4BS944



Part Number*	Color	Function	Description
ZB4BS844	Red	Latching Turn to Release	Ø 40mm Head
ZB4BS944	Red	Key Latching	

* ZB4**** Model Numbers are Metal Head Operators

Mushroom Head Push Buttons with Key Select

ZB4BS24

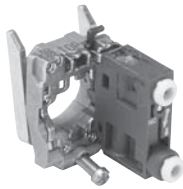
Part Number*	Color	Function	Description
ZB4BS54	Red	Latching Turn to Release	Ø 40mm Head
ZB4BS14	Red	Key Latching	
ZB4BS64	Red	Latching Turn to Release	Ø 60mm Head
ZB4BS24	Red	Key Latching	

* ZB4**** Model Numbers are Metal Head Operators

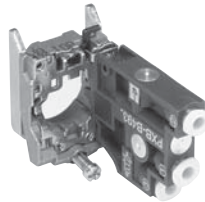
BOLD ITEMS ARE MOST POPULAR.

For Use With 22mm (7/8") Metal Operating Heads 5/32" Instant Connections

3/2 Valve Bodies with Mounting Ring



PXBB3111B



PXBB4131B

Part Number	Connections	Function	Type of Switching*
PXBB3111B	5/32" Instant	3/2	NNP
PXBB3121B	5/32" Instant	3/2	NP
PXBB4131B	5/32" Instant	3/2	Universal 3-Way

Note: • Mount up to 3 valves on mounting ring for push buttons.
 • Mount up to 2 valves on mounting ring for selector switches,
 Valves **cannot** be mounted in center position.

Specifications

- Air Quality –**
 Standard Shop Air, Lubricated or Dry 40 µm Filtration
- Flow –**
 PXBB3• Cv=.08
 PXBB4• Cv=.18
- Materials –**
 Body Polyamide
 Operating Head Zinc Alloy & Plastic
- Operating Positions.....** All Positions
- Operating Pressure –**
 PXBB3• 15 to 115 PSIG (1 to 9 bar)
 PXBB4• 15 to 145 PSIG (1 to 10 bar)
- Ports5/32" Instant for Semi-Rigid Nylon or Polyurethane Tube**
- Temperature –**
 Operating5°F to 140°F (-15°C to + 60°C)



Additional Valve Bodies



PXBB3911



PXBB4932



PXBB4931

Part Number	Connections	Function	Type of Switching*
PXBB3911	5/32" Instant Straight	3/2	NNP
PXBB3912	5/32" Instant Swivel		
PXBB3921	5/32" Instant Straigh	3/2	NP
PXBB3922	5/32" Instant Swivel		
PXBB4931	5/32" Instant Straight	3/2	Universal 3-Way
PXBB4932	5/32" Instant Swivel		

Replacement Valve Bodies for PXBB1 and PXBB2 Push Button Valve Series



PXBB1911

PXBB1922

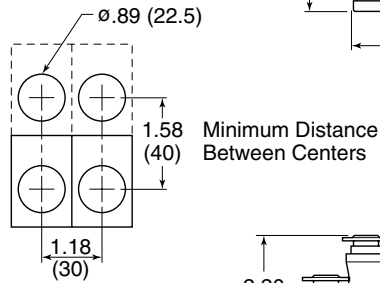
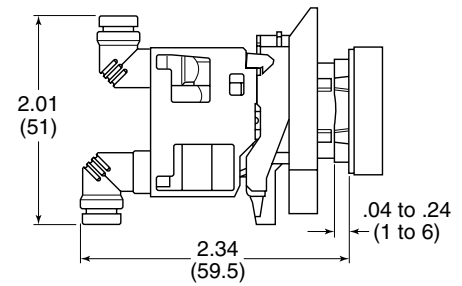
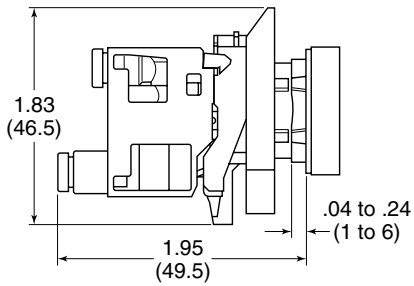
PXBB2911

Part Number 1/16" ID Body	Part Number 1/8" ID Body	Connections	Function	Type of Switching*
PXBB1911	PXBB2911	5/32" Instant Straight	3/2	NNP
PXBB1912	—	5/32" Instant Swivel		
PXBB1915	PXBB2915	10-32 UNF Threaded		
PXBB1921	PXBB2921	5/32" Instant Straight	3/2	NP
PXBB1922	—	5/32" Instant Swivel		
PXBB1925	PXBB2925	10-32 UNF Threaded		
PXBB1911SE	—	5/32" Instant Straight	2/2	NNP NP
PXBB1921SE	—	5/32" Instant Swivel		

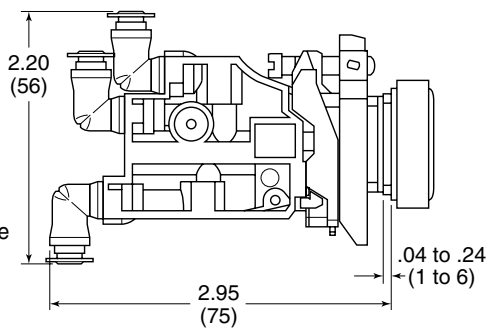
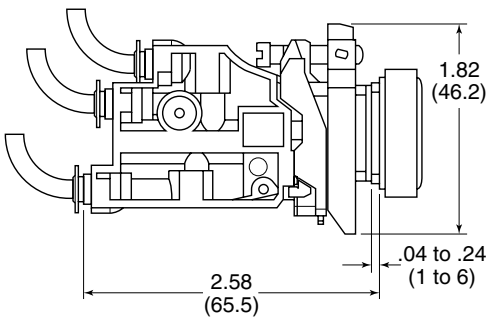
BOLD ITEMS ARE MOST POPULAR.



PXB-B3 Dimensions



PXB-B4 Dimensions



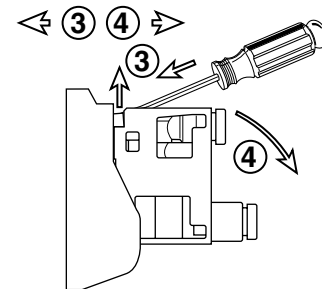
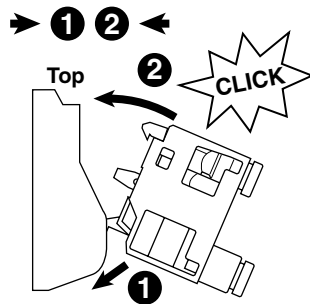
Tube Bending Radius For PXBB3 and PXBB4

- 4 mm O.D. x 2 mm I.D. Tube = Minimum 0.39 (10) Radius
- 4 mm O.D. x 2.7 mm I.D. Tube = Minimum 0.59 (15) Radius

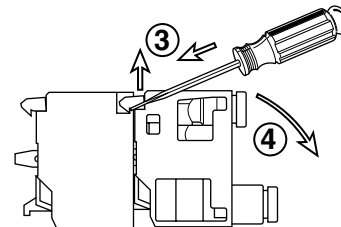
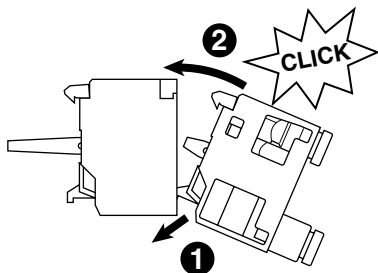
C

Assembly

Assembling PXB Valves On Mounting Block



Assembling PXB Valves On the Back of the Electrical Contact



For Push Buttons and Visual Indicators

**Legend Plates for PXBB Devices
 (22mm)**



ZBY****

Part Number	Description
Without Text For Customer Engraving	
ZBY2101	Black / Red Background (White Letters)
ZBY4101	Yellow / White Background (Black Letters)
With Text For Push Buttons	
ZBY2303	Start
ZBY2304	Stop
ZBY2305	Forward
ZBY2306	Reverse
ZBY2307	Up
ZBY2308	Down
ZBY2309	Right
ZBY2310	Left
ZBY2311	On
ZBY2312	Off
ZBY2313	Open
ZBY2314	Close
ZBY2321	Inch
ZBY2323	Reset
ZBY2326	Power On
ZBY2327	Slow
ZBY2328	Fast
ZBY2330	Emergency Stop
ZBY2334	Run
With Text For 2-Position Selectors	
ZBY2367	Off On
With Text For 3-Position Selectors	
ZBY2387	Hand Off Auto

Blank Legend Plates for Inscription

For PXBB Devices (2 lines of 11 characters maximum) Please indicate the required text when ordering. (Allow 3 weeks for delivery)	
Part Number	Description
ZBY2002	Black Background / White Letters

For 22mm Visual Indicators Only

2 lines of 11 characters maximum

Please indicate the required text when ordering.
 (Allow 3 weeks for delivery)

Part Number	Description
ZB2BY2002	Black Background / White Letters

Accessories


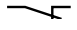


ZBE101

Electrical Switch Bodies

When combined with pneumatic valves, these contact blocks allow different forms of power to be provided from a single push button. Can be mounted with both types of valves PXBB3 / PXBB4.

Electrical Specification: 240V, 10Amp

Part Number	Type of Contact
ZBE101	 Normally Open (NO)
ZBE102	 Normally Closed (NC)

Note: Plastic Mounting Ring ZB5AZ009 to be used with ZB5 Plastic Operating Heads.
 Metal Mounting Ring ZB4BZ009 to be used with ZB4 Metal Operating Heads.



Metal: ZB4BZ009



Plastic: ZB5AZ009

Mounting Ring for Valve Bodies, Switch Bodies and Operating Heads

To make up a complete push button with one to three switching elements with 5/32" instant connections, use this mounting block and select the operating heads and bodies in this Section.

Part Number	Description
ZB4BZ009	Metal Mounting Ring
ZB5AZ009	Plastic Mounting Ring

To make up a complete selector switch with one or two switching elements with 5/32" instant connections, use this mounting block and select the operating heads and bodies in this Section.

Part Number	Description
ZB4BZ009	Metal Mounting Ring
ZB5AZ009	Plastic Mounting Ring

Note: To release push button from mounting ring, pull lever on top of mounting ring up and remove push button operator. To assemble push button operator to mounting ring, align arrows and snap into place.

Note: **Bold Items are Ready (Stock)**



Functionality Explanation

Fluid Power		Universal Description	Electrical	
Function	Symbol		Function	Symbol
Normally Closed (N.C.)		Normally Non-Passing (NNP)	Normally Open (N.O.)	
Normally Open (N.O.)		Normally Passing (NP)	Normally Closed (N.C.)	

Type of Switching: Universal 3-Way: Valve can be connected either as NP or NNP as required by connecting the primary air supply to port 1 or port 3.

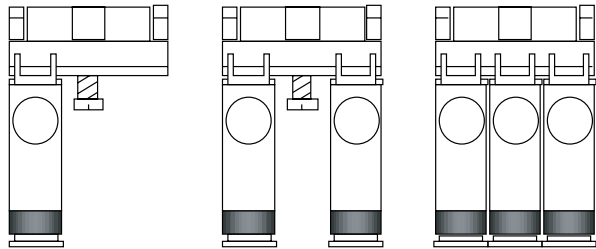


- NNP: Normally Non-Passing.
- NP: Normally Passing.
- NNP + NNP: Double Switch Body, Both Normally Non-Passing.
- NNP + NP: Normally Non passing and Normally-Passing.
- NP + NP: Both Normally Passing.

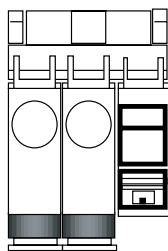
Combination of Output Devices On a Single Mounting Block

Up to 3 output devices (valves or electrical contacts) can be mounted side by side on 1 mounting block.

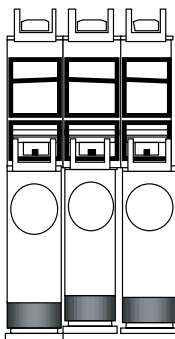
Note: The central position can only be activated by push button heads.



Electrical Contacts and Valves can be Combined Either Side by Side, or by Mounting the Valve on the Back of the Electrical Contact.

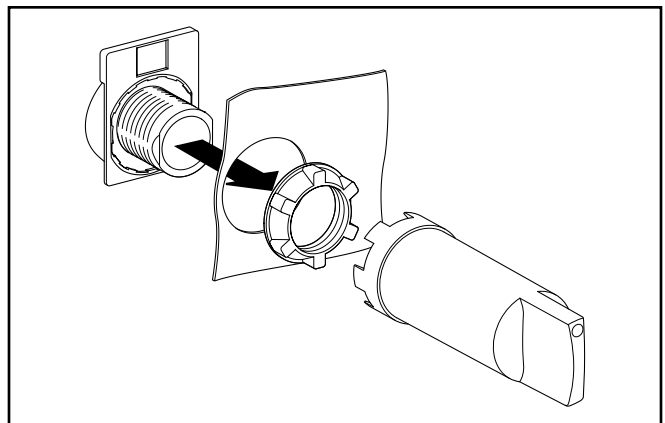


Side by Side Combination

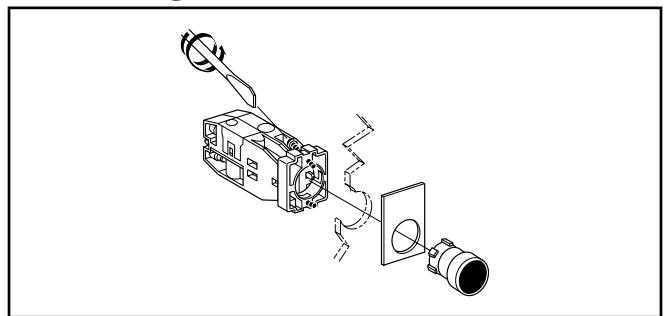


Combination by Mounting Valves On the Back of the Electrical Contact

Assembling Output Devices and Heads On ZB5 Series Mounting Block



Mounting

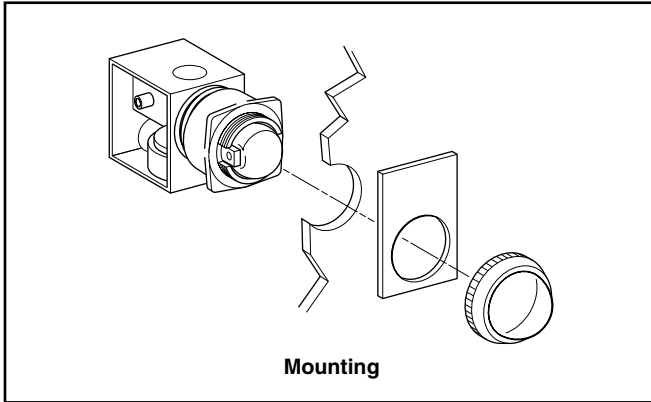


With 5/32" Instant Connections

22mm Visual Indicators



PXVF131



Mounting

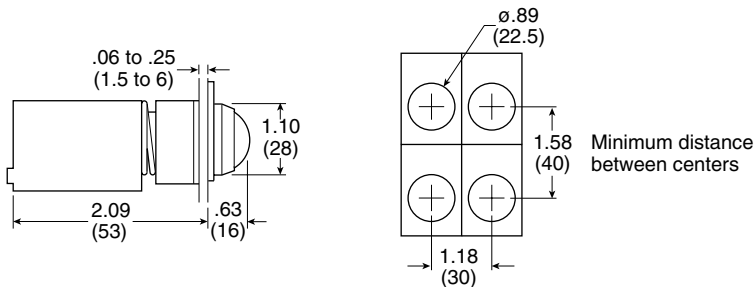
Black Plastic Bezel		
Part Number "ON" Indicator	Part Number "OFF" Indicator	Color
PXVF131	PXVF1213	Green
PXVF141	PXVF1214	Red
PXVF151	PXVF1215	Yellow
PXVF161	PXVF1216	Blue
PXVF111	PXVF1211	White

Notes:

- The Pneumatic Indicators are black in one position and colored in the other. The colored position corresponds either to the presence of a pressure ("ON" Indicator) or the absence of pressure ("OFF" Indicator).
- For Legend Plates, see page C9.

Dimensions

PXVF1••



Specifications

Air Quality –

Standard Shop Air, Lubricated or Dry, 40 μ m Filtration

Materials –

Body..... Polyamide
 Operating Head..... Zinc Alloy & Plastic

Number of Operations with Dry Air at 90 PSI (6 bar) and 68°F (20°C) - Frequency 1 Hz.....

1 million Operations
 Mushroom Head 300,000 Operations

Operating Positions..... All Positions

Operating Pressure 15 to 115 PSIG (1 to 8 bar)

Ports –

Standard 5/32" Instant for Semi- Rigid Nylon or Polyurethane Tube

10-32 UNF Available

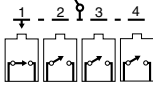
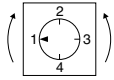
Temperature –

Operating 32°F to 122°F (0°C to + 50°C)
 Storage -22°F to 140°F (-30°C to +60°C)



With 5/32" Instant Connections, 1/16" I.D. Internal Orifice

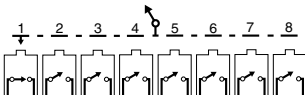
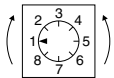
4-Positions, 4-Outputs 3/2



PXBDD104

Without Mechanical Stop		
Part Number	Operating Head	Type of Switching*
PXBDD104	Black Handle with 2.5" x 2.5" (64 x 64 mm) Legend Plate, Red or Black Background	NNP

8-Positions, 8-Outputs 3/2



PXBDD508

Without Mechanical Stop		
Part Number	Operating Head	Type of Switching*
PXBDD508	Black Handle with 2.5" x 2.5" (64 x 64 mm) Legend Plate, Red or Black Background	NNP

Specifications

- Air Quality –**
 Standard Shop Air, Lubricated or Dry, 40µm Filtration
- Materials –**
 Body..... Polyamide
 Operating Head..... Zinc Alloy & Plastic
- Minimum Operating Force** 9.4 Lb (42 N)
- Number of Operations with Dry Air at 90 PSI (6 bar) and 68°F (20°C) - Frequency 1 Hz**..... 1 million Operations
 Mushroom Head..... 300,000 Operations
- Operating Positions**..... All Positions
- Operating Pressure** 15 to 115 PSIG (1 to 8 bar)
- Ports –**
 Standard: 5/32" Instant for Semi- Rigid Nylon or Polyurethane Tube
 10-32 UNF Available.
- Temperature –**
 Operating 32°F to 122°F (0°C to + 50°C)
 Storage -22°F to 140°F (-30°C to +60°C)

Notes:

These Rotary Switches operate in either direction. They come assembled with switch PXBB1921 (Normally Passing). All switches are held in the actuated non-passing position except the one associated with a given dial position, which is in the unactuated Normally Passing position.

Example of Operation: Rotation from Position 1 to Position 2:

- Switch 1 changes from unactuated Normally Passing to actuated non-passing.
- Switch 2 changes from actuated non-passing to unactuated Normally Passing.

Units will accept all switch bodies shown earlier in this Section, but care must be taken in selecting switch type.

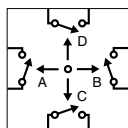
C

With 5/32" Instant Connections, 1/16" I.D. Internal Orifice

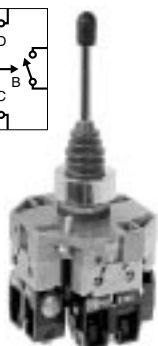
2-Position Unit

4-Position Unit

Specifications



PXBGA8211



PXBGA8411

Note: These Joystick Operators come assembled with switch type PXBB1911, but will accept all Switch Bodies shown later in this Section.

Part Number	Position	Function	Type of Switching*	Operating Head
PXBGA8211	2	Maintained Position in Each Direction	NNP	Chrome Plated Lever with Protective Bellows 1.6" x 2.5"
PXBGA8411	4			
PXBGA8221	2	Spring Return in Each Direction	NNP	(40 x 64 mm) Legend Plate Red or Black Background
PXBGA8421	4			

* NNP: Normally Non-Passing.

Air Quality –

Standard Shop Air, Lubricated or Dry, 40µm Filtration

Flow at 90 PSI (6 bar) in SCFM (l/mn ANR) 1.8 (50)

Materials –

Body..... Polyamide
 Operating Head..... Zinc Alloy & Plastic

Nominal Bore Ø in Inches (mm)..... 1/16" (1.5)

Number of Operations with Dry Air at 90 PSI (6 bar) and 68°F (20°C) - Frequency 1 Hz..... 1 million Operations

Operating Angle..... 18°

Operating Positions..... All Positions

Operating Pressure 15 to 115 PSIG (1 to 8 bar)

Operating Torque 59.5 oz-in (420 mNm)

Ports –

Standard: 5/32" Instant for Semi- Rigid Nylon or Polyurethane Tube

10-32 UNF Available.

Temperature –

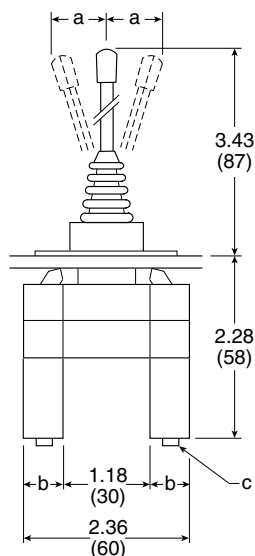
Operating 32°F to 122°F (0°C to + 50°C)

Storage -22°F to 140°F (-30°C to +60°C)



Dimensions

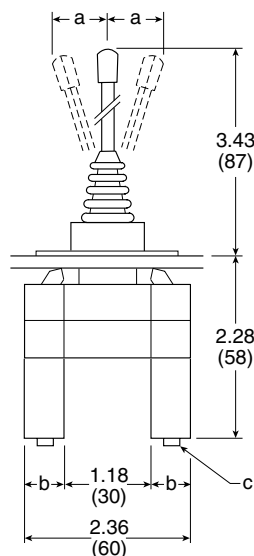
PXBGA82**



	inch	mm
a*	1.57	40
b	.59	15
c	5/32 Dia.	4 Dia.

* In both directions

PXBGA84**



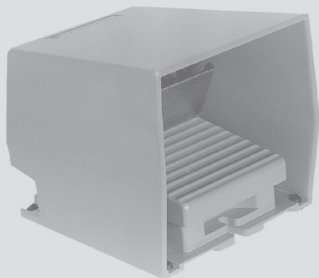
	inch	mm
a*	1.57	40
b	.59	15
c	5/32 Dia.	4 Dia.

* In all 4 directions

Part Numbers

Standard Duty 1/6" I.D. Valves with 5/32" Instant Connections

Protective Guard



PXPEM510

Foot Switches Without Protective Guard



PXPEA110

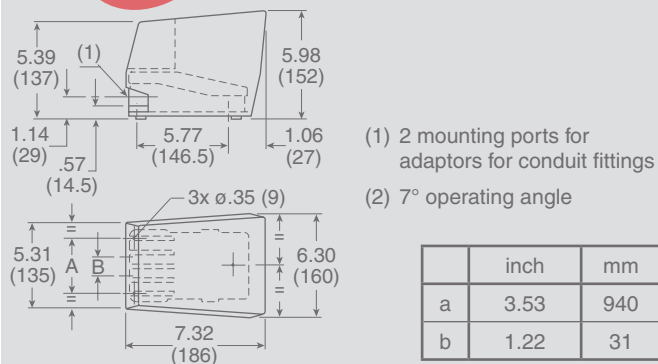
Part Number	Function	Material	Type of Switching*
PXPEM510	High resistance protective guard, with interlock mechanism to prevent accidental operation by a falling object.	Metal	NNP

Part Number	Function	Material	Type of Switching*
PXPEA110	Spring Return	Plastic	NNP
PXPEM110	Spring Return	Metal	NNP

CAUTION:
This valve shall not be used to actuate a punch press. Do not use this valve on punch presses or press brakes. See OSHA 1910.217.

Dimensions

PXPEM510

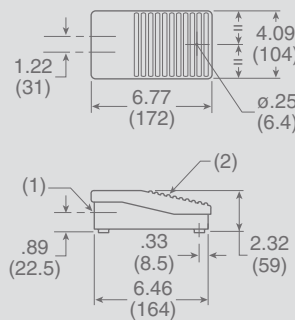


Notes: These Foot Pedal Operators come assembled with switch PXBB1921 (Normally Passing). With the pedal in the unoperated position, the switch is in the actuated non-passing position. With the pedal actuated, the switch is in the unactuated Normally Passing position.

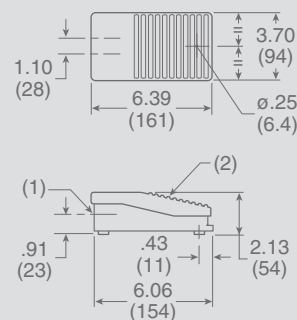
Units will accept all switch bodies shown earlier in this Section, but care must be taken in selecting switch type.

Dimensions

PXPEM110



PXPEA110



Specifications

Air Quality –

Standard Shop Air, Lubricated or Dry, 40µm Filtration

Flow at 90 PSI (6 bar) in SCFM (l/mn ANR) 1.8 (50)

Materials –

Body..... Polyamide
Operating Head..... Zinc Alloy & Plastic

Nominal Bore Ø in Inches (mm) 1/16" (1.5)

Number of Operations with Dry Air at 90 PSI (6 bar) and 68°F (20°C) - Frequency 1 Hz..... 1 million Operations

Operating Positions..... All Positions

Operating Pressure 15 to 115 PSIG (1 to 8 bar)

Ports –

5/32" Instant for Semi-Rigid Nylon or Polyurethane Tube

Temperature –

Operating 32°F to 122°F (0°C to + 50°C)
Storage -22°F to 140°F (-30°C to + 60°C)

* NNP: Normally Non-Passing.

C

OBSOLETE

Features

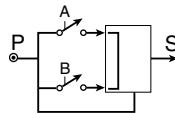
- The pre-assembled two-hand control enclosure occupies both hands of an operator by requiring nearly simultaneous operation of two pushbuttons
- Poppet – snap-acting (no spools)
- Same air as in cylinders – Filtration: 40 micron
- No lubrication required



PXPC111

Part Number	Connections
PXPC111	5/32" Instant

Operation



- Output "S" will appear only if "A" and "B" are simultaneously operated (within .5 seconds or less of each other).
- If the operator actuates only one pushbutton, either "A" or "B", or if both "A" and "B" are actuated but at an interval greater than .5 seconds, output "S" will not appear.
- Output "S" is regenerated by supply "P". Output "S" will therefore disappear if supply "P" is cut off.
- Output "S" will disappear if either "A" or "B" is released.
- If output "S" disappears for any reason, "A" and "B" must be nearly simultaneously actuated to again provide output "S".
- Since output "S" is regenerated it appears sharply, at full force (snap-acting), and is quickly exhausted upon deactivation. In addition the module is not affected by the length or diameter of tubing used for output "S".

General Characteristics

Operating Pressure40 to 120 PSI (3 to 8 bar)

Permissible Fluids –

Air or neutral gas 40 micron filtration, lubricated or dry

Flow at 90 PSI (6 bar) 7 SCFM (200 l/mn ANR)

Operating Temperature -5°F to 140°F (-15°C to 60°C)

Below 40°F (5°C), an air dryer is required

Storage Temperature -40°F to 160°F (-40°C to 70°C)

Number of operations with dry air at 90 PSI (6 bar), 68°F (20°C), frequency 1 Hz 1 Million Operations

Vibration resistance –

Conforms to section 19-2 of bureau Véritas regulations (November 1987)

Materials –

Body..... Glass Filled Nylon

Operating Head Zinc Alloy and Plastic

Connections:..... 5/32" instant

Mounting

Approvals:

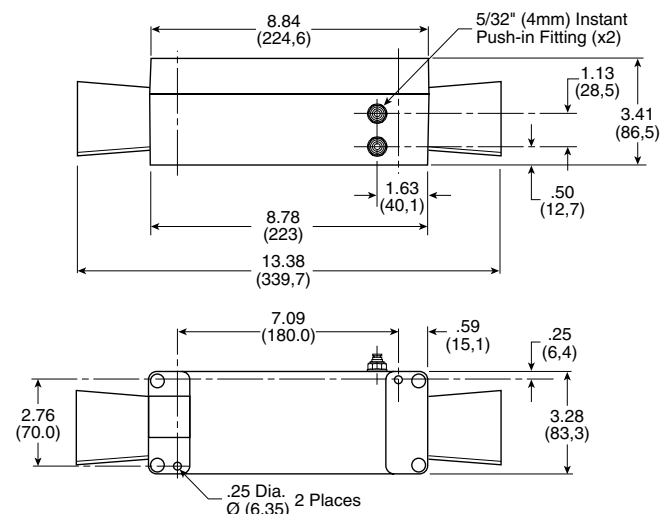
- In accordance with European Standard EN 574 - September 1996
- Conforms to the model that has obtained CE Type Test Certificate No. 02526 520 4631 0397

WARNING

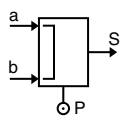
These devices should NOT be used in any application involving rotary clutch presses. Two hand control modules do not of themselves insure the safety of any machine. Users and original equipment manufacturers are responsible for making sure that installations meet all relevant safety regulations.

Dimensions

Inches (mm)



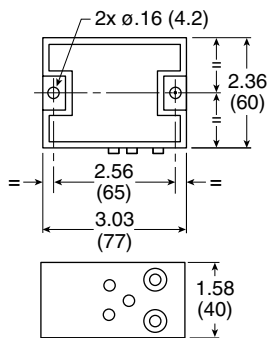
Two-Hand Control Module



PXPA11

Part Number	Connections
PXPA11	5/32" Instant

Dimensions



PXPA11

Specifications

Air Quality –

Standard Shop Air, Lubricated or Dry, 40µm Filtration

Flow at 90 PSI (6 bar) in SCFM (l/mn ANR) 7 (200)

Materials –

Body..... Polyamide

Operating Head..... Zinc Alloy & Plastic

Nominal Bore Ø in Inches (mm) 7/64" (2.5)

Number of Operations with Dry Air at 90 PSI (6 bar) and

68°F (20°C) - Frequency 1 Hz 1 million Operations

Operating Positions..... All Positions

Operating Pressure 40 to 115 PSIG (3 to 8 bar)

Ports –

5/32" Instant for Semi-Rigid Nylon or Polyurethane Tube

Temperature –

Operating 32°F to 122°F (0°C to + 50°C)

Storage -22°F to 140°F (-30°C to + 60°C)

Vibration resistance:

**Conforms to section 19-2 of bureau Véritas regulations
 (November 1987)**

⚠ WARNING

These devices should **NOT** be used in any application involving rotary clutch presses. Two hand control modules do not of themselves insure the safety of any machine. Users and original equipment manufacturers are responsible for making sure that installations meet all relevant safety regulations.

Notes: These two-hand control modules provide an output signal upon nearly concurrent operation of two pushbuttons.

Two-Hand Control Module Guard



PPRL15

Part Number	Base Component
PPRL15	PXPC111

Two Hand Repair Parts

Part Number	Quantity Required	Description
PXPA11	1	Control Module
PXBB3111B	2	Valve Body & Mounting Ring
ZB4BR*	2	Push Button
PPRL15	2	Control Module Guard

* 2 = Black, 3 = Green, 4 = Red

Section D



D

Basic Features – Pneumatic Sensors D2

Limit Switches

- 3/2 Miniature Limit Switches D3-D4
- 3/2 Compact Limit Switches D5-D6
- “K” Series – Standard Duty Limit Switches D7-D10
- “J” Series – Heavy Duty Limit Switches D11-D13

PWBA Blocking Valves D14-D15

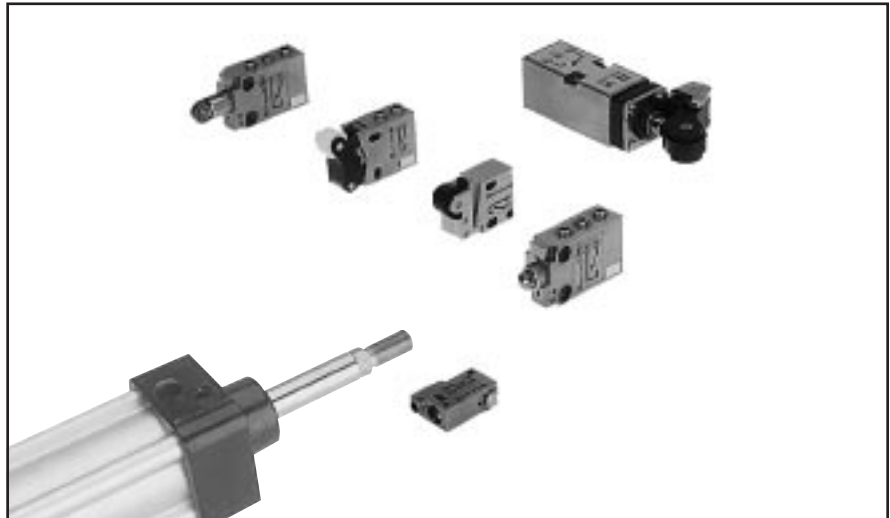
Threshold Sensors D16-D18

Basic Features

To achieve the sensing or feedback function, pneumatic sensors can be:

- Limit Switches in a Variety of Sizes and Configurations
- Pressure Switches with Many Adjustable Ranges
- Components Designed Specifically for Pneumatic Technology using Pressure Variation, Air Bleed or Blocking for Detection.

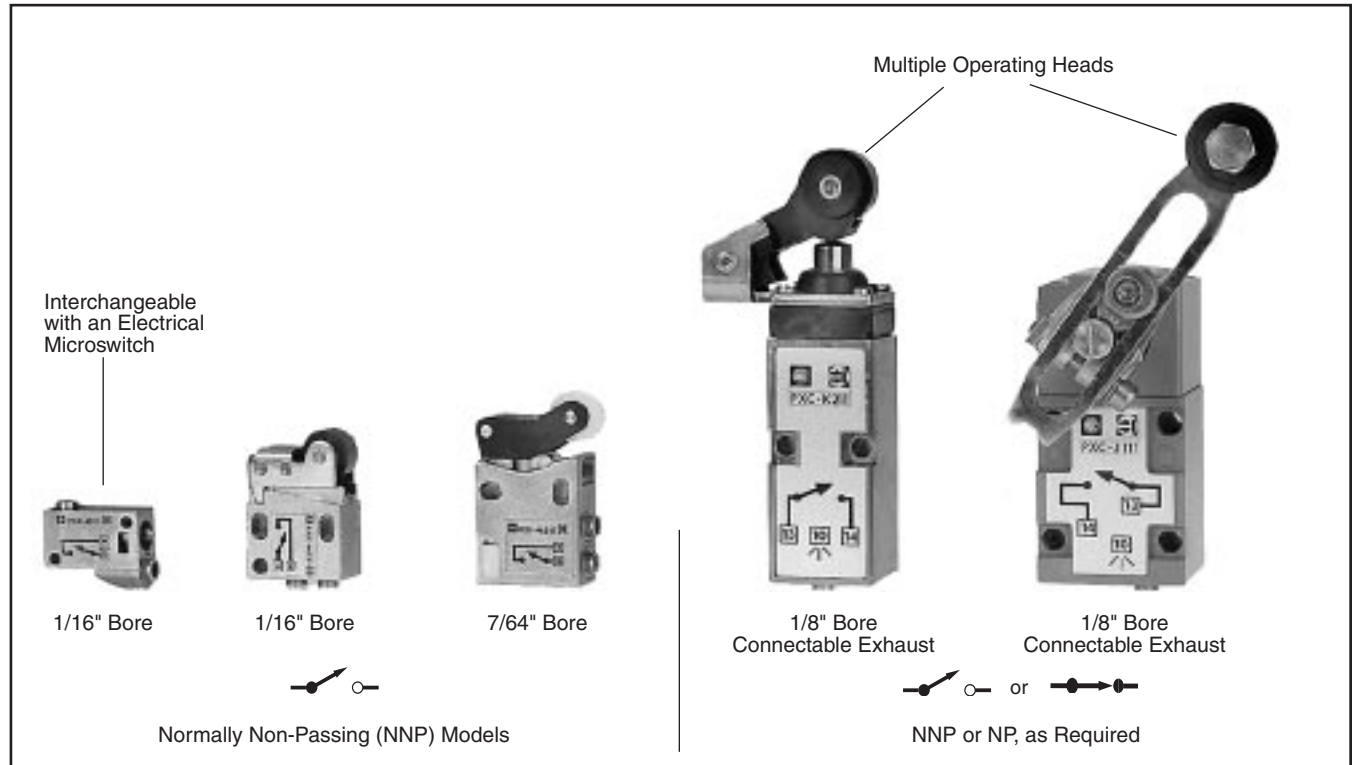
A wide variety of pneumatic sensors are available to suit any application requirement.



**PNEUMATIC
LIMIT
SWITCHES**

Pneumatic limit switches are non-passing (NNP) or passing (NP) when actuated by a moving part. The various operating levers, bore dimensions and functions are given below.

D

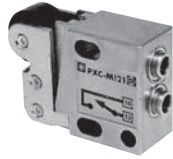


Direct Acting Limit Switches

1/16" I.D. Internal Orifice



PXCM111



PXCM121

Part Number	Connection	Actuator	Type of Switching*
PXCM111	5/32" Instant	Steel Plunger Operating Levers Available (See Below)	NNP
PXCM115	10-32 UNF		
PXCM121	5/32" Instant	Plastic Roller	NNP
PXCM125	10-32 UNF		

7/64" I.D. Internal Orifice



PXCM521

Part Number	Connection	Actuator	Type of Switching*
PXCM521	5/32" Instant	Plastic Roller	NNP

Actuators For Steel Plunger



PXCZ11

Use with PXCM111*

Part Number	Actuator
PXCZ11	Plastic Roller Lever
PXCZ12	Plastic Roller Lever, One Way Trip

* NNP: Normally Non-Passing.

Specifications

Air Quality –

Standard Shop Air, Lubricated or Dry, 40µm Filtration

Flow SCFM (NI/min) –

PXCM111	2.2 (60)
PXCM121	3.0 (85)
PXCM521	8.8 (250)

Materials –

Body	Zinc Alloy
Poppets	Polyurethane
Seals	Nitrile (Buna N)

Maximum Operating Frequency 5 Hz

Nominal Bore Ø –

PXCM111, PXCM121	1/16" (1.5 mm)
PXCM521	7/64" (2.5 mm)

Number of Operations with Dry Air at 90 PSI (6 bar) and 68°F (20°C) – Frequency 1 Hz 10 Million

Operating Positions..... All Positions

Operating Pressure 40 to 115 PSIG (3 to 8 bar)

Ports –

5/32" Instant for Semi-Rigid Nylon or Polyurethane Tube

10-32 UNF Available

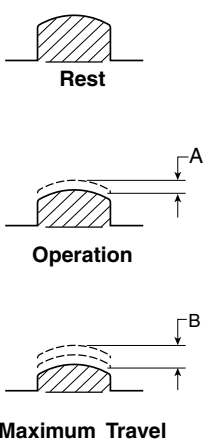
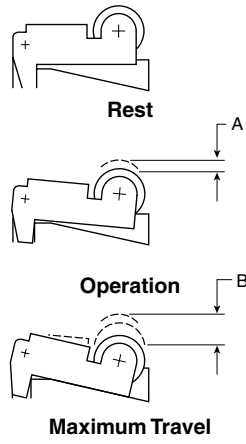
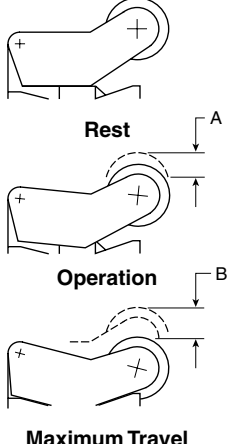
Temperature –

Operating 32°F to 122°F (0°C to + 50°C)

Storage -22°F to 140°F (-30°C to +60°C)



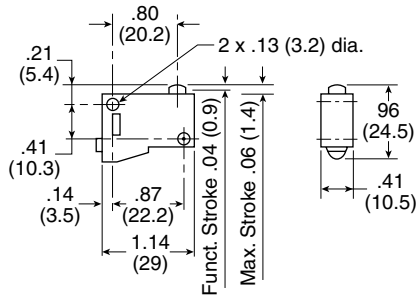
Operator Specifications

	PXCM111	PXCM121	PXCM521
Differential Travel at 90 PSI (6 bar)	.006" (0.15 mm)	.012" (0.3 mm)	.020" (0.5 mm)
Maximum Travel (B) at 90 PSIG (6 bar)	.055" (1.4 mm)	.126" (3.2 mm)	.228" (5.8 mm)
Minimum Pre-Travel (A) at 90 PSIG (6 bar)	.035" (0.9 mm)	.079" (2 mm)	.087" (2.2 mm)
Minimum Operating Force at 90 PSI (6 bar)	2.5 lb (11 N)	1.0 lb (4.5 N)	1.6 lb (7 N)
Operating Diagram			

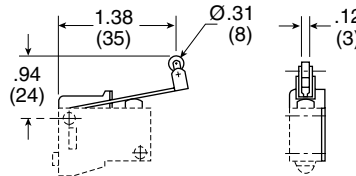
D

Dimensions

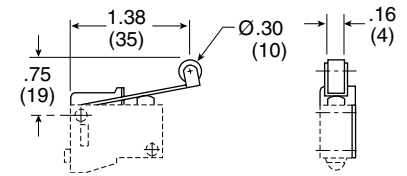
PXCM111



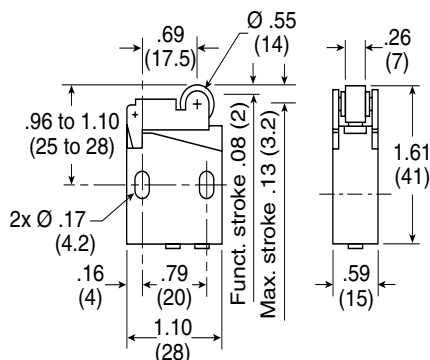
PXCM121



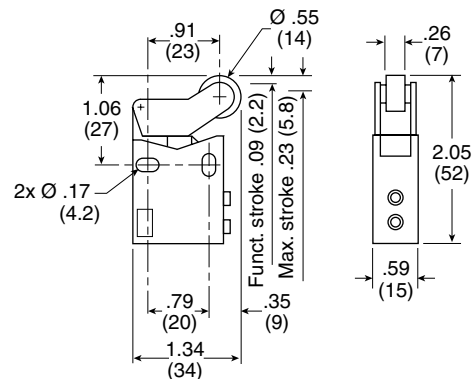
PXCM521



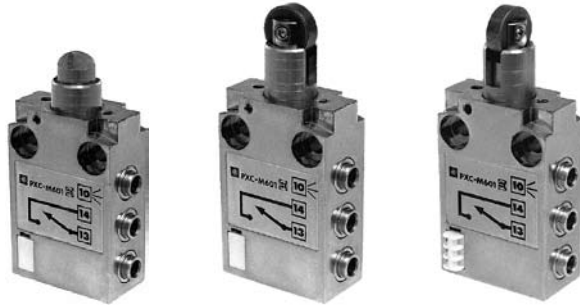
PXCM121, PXCM131



PXCM521



**Pilot Operated
 Compact Limit Switches**
5/32" Instant Connections
Pipeable Exhaust Port
7/64" I.D. Internal Orifice



PXCM601A110

PXCM601A102

PXCM601A103

Part Number	Actuator	Type of Switching*
PXCM601A110	Steel Plunger Operating Levers Available (See Below)	NNP
PXCM601A102	Steel Roller Plunger	
PXCM601A103	90° Steel Roller Plunger	

Specifications

- Air Quality –**
 Standard Shop Air, Lubricated or Dry, 40µm Filtration
- Flow SCFM (NI/min).....** 8.8 (250)
- Materials –**
 Body..... Zinc Alloy
 Poppets..... Polyurethane
 Seals..... Nitrile (Buna N)
- Maximal Operating Frequency** 5 Hz
- Nominal Bore Ø** 7/64" (2.5 mm)
- Number of Operations with Dry Air at 90 PSI (6 bar) and 68°F (20°C) – Frequency 1 Hz.....** 10 Million
- Operating Positions.....** All Positions
- Operating Pressure** 40 to 115 PSIG (3 to 8 bar)
- Ports –**
 5/32" Instant for Semi-Rigid Nylon or Polyurethane Tube
- Temperature –**
 Operating.....32°F to 122°F (0°C to + 50°C)
 Storage..... -22°F to 140°F (-30°C to +60°C)

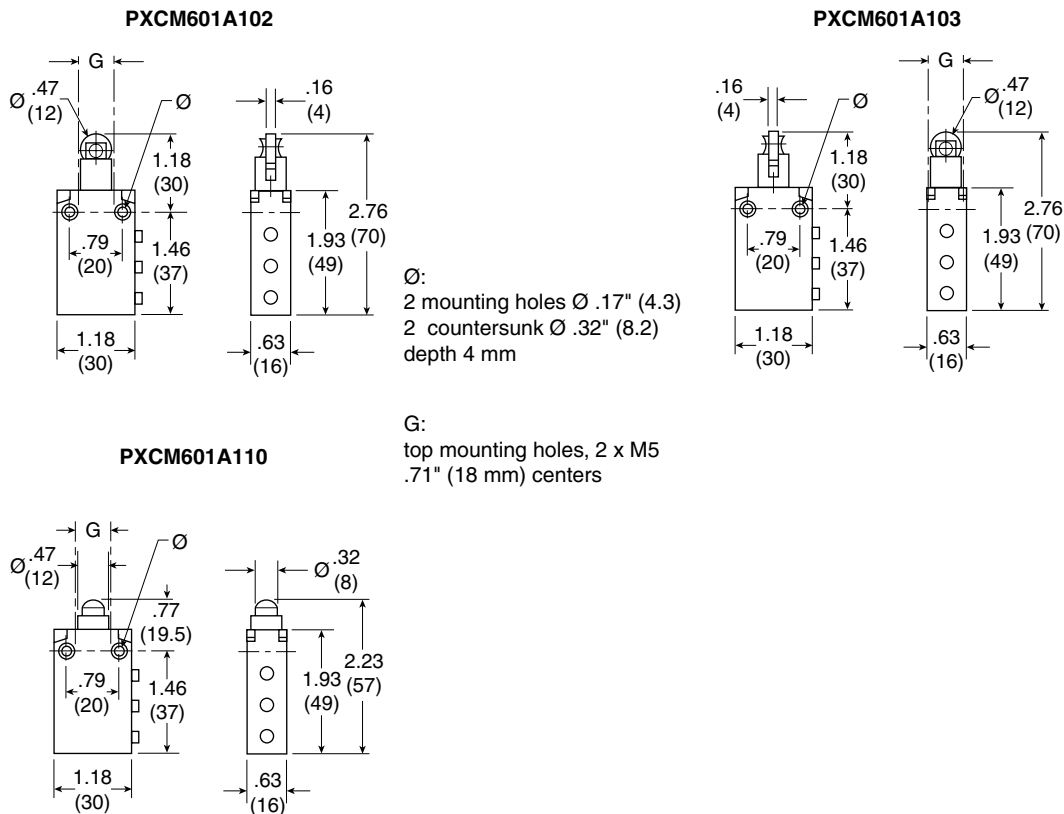


Operator Specifications

	PXCM601A110	PXCM601A102	PXCM601A103	PXCM601A110 + XCMZ24
Differential Travel at 90 PSI (6 bar)	.012" (0.3 mm)	.008" (0.2 mm)	.020" (0.5 mm)	.047" (1.2 mm) (A)
Maximum Travel (B) at 90 PSIG (6 bar)	.197" (5 mm)	.197" (5 mm)	.197" (5 mm)	—
Minimum Pre-Travel (A) at 90 PSIG (6 bar)	.066" (1.7 mm)	.066" (1.7 mm)	.066" (1.7 mm)	.370" (9.4 mm) (A)
Minimum Operating Force at 90 PSI (6 bar)	5.4 lbf (24 N)	5.2 lbf (23 N)	5.2 lbf (23)	4.3 lbf (19)
Operating Diagram				<p>A = cam travel</p>

D

Dimensions



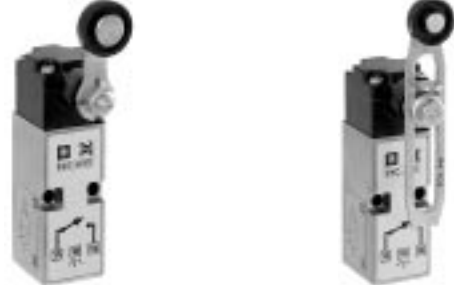
Limit Switches

Plunger Operated
 5/32" Instant Connections
 Pipeable Exhaust Port
 1/8" I.D. Internal Orifice



PXCK21101 PXCK21102 PXCK21121 PXCK21106

Roller Operated
 5/32" Instant Connections
 Pipeable Exhaust Port
 1/8" I.D. Internal Orifice



PXCK2110031 PXCK2110041

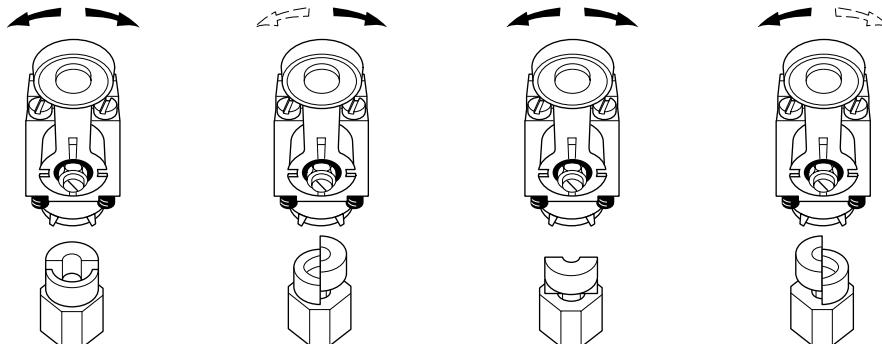
Complete Assemblies		
Part Number	Actuator	Type of Switching*
PXCK21101	Steel Plunger	NNP
PXCK22101		NP
PXCK21102	Steel Roller Plunger	NNP
PXCK22102		NP
PXCK21121	Plastic Roller Plunger	NNP
PXCK22121		NP
PXCK21106	Cats Whisker	NNP
PXCK22106		NP

With Die Cast Rotary Operating Head and Operating Lever - Complete Assemblies		
Part Number	Actuator	Type of Switching*
PXCK2110031	Fixed Delrin Roller Lever Multi-Function Head Actuates: - From Right and Left - From Right - From Left	NNP
PXCK2210031		NP
PXCK2110041	Adjustable Delrin Roller Lever Multi-Function Head Actuates: - From Right and Left - From Right - From Left	NNP
PXCK2210041		NP

NNP: Normally Non-Passing

NP: Normally Passing

Field Conversion of Rotary Operating Head



Separate Pneumatic Switch Bodies



PXCK211

Part Number	Actuator	Type of Switching*
PXCK211	For Use with ZCK Series Operating Heads	NNP
PXCK221		NP

Operating Heads For Use With PXCK Switch Bodies



ZCKG00

Part Number	Actuator	Description
Rotary Operated		
ZCKG00	—	Die Cast Zinc
Plunger Operated		
ZCKD02	Roller Plunger	Plunger Operated
ZCKD06	Whisker	
ZCKD10	Rod Plunger	
ZCKD21	Delrin Roller Lever On Plunger	
ZCKD23	Steel Roller Lever On Plunger	

Pneumatic Switch Bodies with Rotary Heads



PXCK21100

Part Number	Actuator	Type of Switching*
PXCK21100	Multi-Function Head Actuates: - From Right and Left - From Right - From Left	NNP
PXCK22100		NP

Operating Levers for Rotary Heads



ZCKY81



ZCKY91

For Use With Rotary Head ZCKG00		
Part Number	Actuator	Description
ZCKY51	Steel 1/8" Square	Rod Levers
ZCKY52	Fiberglass 1/8" Dia. Round	
ZCKY81	Plastic Spring Rod Lever	
ZCKY91	Metal Spring Rod Lever	
ZCKY11	Delrin Roller Lever	Roller Levers
ZCKY13	Steel Roller Lever	
ZCKY41	Adjust. Delrin Roller Lever	
ZCKY43	Adjust. Steel Roller Lever	

D

Specifications

Air Quality –

Standard Shop Air, Lubricated or Dry, 40µm Filtration

Flow SCFM (NI/min)..... 7.4 (210)

Materials –

Body..... Zinc Alloy
 Poppets..... Polyurethane
 Seals..... Nitrile (Buna N)

Maximal Operating Frequency..... 5 Hz

Nominal Bore Ø..... 1/8" (3 mm)

Number of Operations with Dry Air at 90 PSI (6 bar) and 68°F (20°C) – Frequency 1 Hz..... 10 Million

Operating Positions..... All Positions

Operating Pressure..... 40 to 115 PSIG (3 to 8 bar)

Ports –

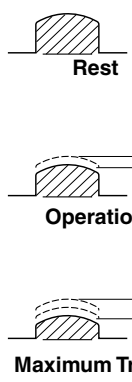
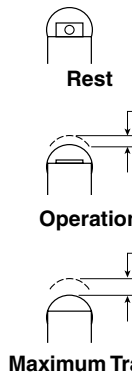

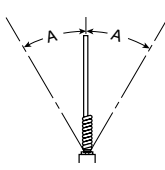
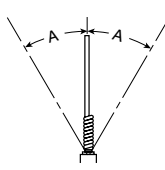
5/32" Instant for Semi-Rigid Nylon or Polyurethane Tube

Temperature

Operating..... 32°F to 122°F (0°C to + 50°C)

Storage..... -22°F to 140°F (-30°C to +60°C)

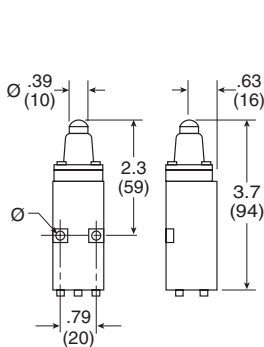
Operator Specifications

	PXCK2••01	PXCK2••02	PXCK2••03	PXCK2••06	PXCK2••00 + Actuator
Differential Angle	—	—	—	12°	3°
Differential Travel	.008" (0.2 mm)	.008" (0.2 mm)	.008" (0.2 mm)		
Maximum Angle of Travel	—	—	—	—	80°
Maximum Travel (B) at 90 PSIG (6 bar)	.228" (5.8 mm)	.228" (5.8 mm)	.228" (5.8 mm)	—	—
Minimum Pre-Travel (A) at 90 PSIG (6 bar)	.087" (2.2 mm)	.087" (2.2 mm)	.102" (2.6 mm)	—	—
Minimum Operating Force at 90 PSI (6 bar)	3.6 lbf (16N)	4.5 lbf (20N)	3.4 lbf (15N)	—	—
Minimum Operating Torque at 90 PSI (6 bar)	—	—	—	17.0 oz in (120mNm)	29.8 oz in (210mNm)
Operating Angle	—	—	—	35°	31° (Minimum Lever Travel Including Pre-Travel Required For Operation)
Operating Diagram					

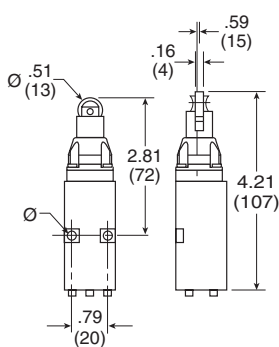


Dimensions

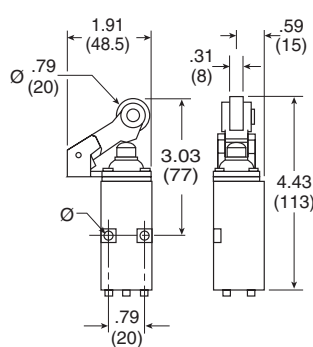
PXCK21101, PXCK22101



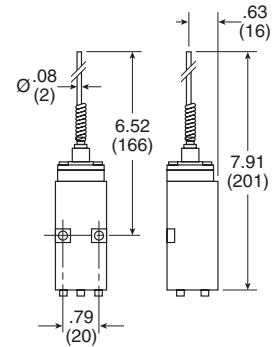
PXCK21102, PXCK22102



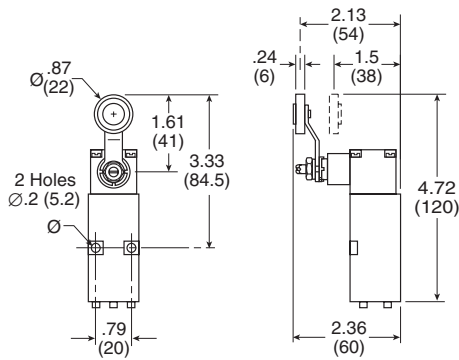
PXCK21121, PXCK22121



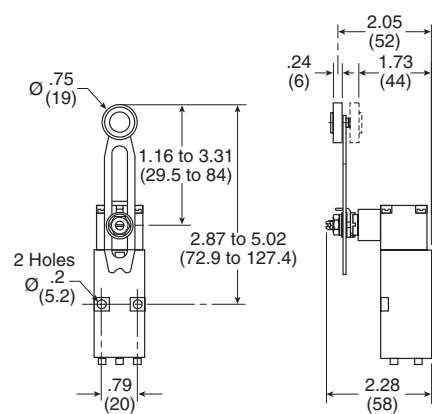
PXCK21106, PXCK22106



PXCK2110031, PXCK2210031



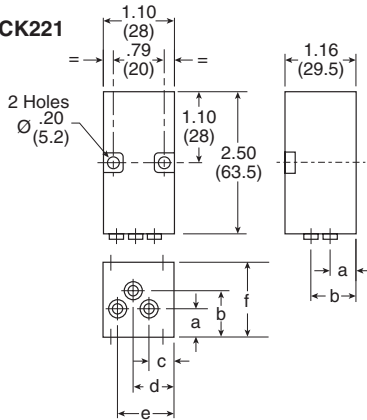
PXCK2110041, PXCK2210041



D

Pneumatic Switch Bodies

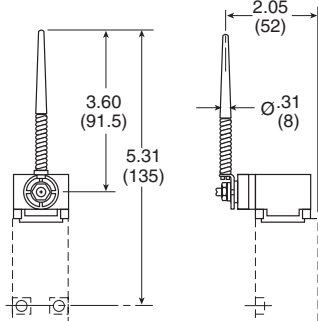
PXCK211, PXCK221



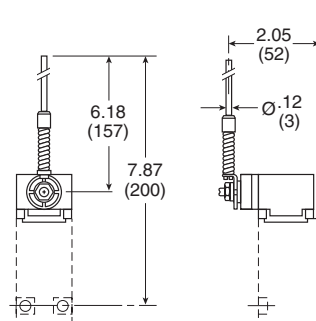
	inch	mm
a	.39	10
b	.77	19.5
c	.35	9
d	.61	15.5
e	.87	22
r	1.66	29.5

Rotary Heads with Operating Levers

ZCKY81



ZCKY91



Switch Bodies Only



PXCJ117

Part Number	Type of Switching*
PXCJ117	NNP
PXCJ127	NP

Switch Bodies with Rotary Head



PXCJ11701

Part Number	Direction of Actuation	Type of Switching*
PXCJ11701	Right & Left, Spring Return	NNP
PXCJ11705	Right or Left, Spring Return	
PXCJ12701	Right & Left, Spring Return	NP
PXCJ12705	Right or Left, Spring Return	

Operating Levers for Rotary Heads



ZC2JY11

ZC2JY31

ZC2JY81

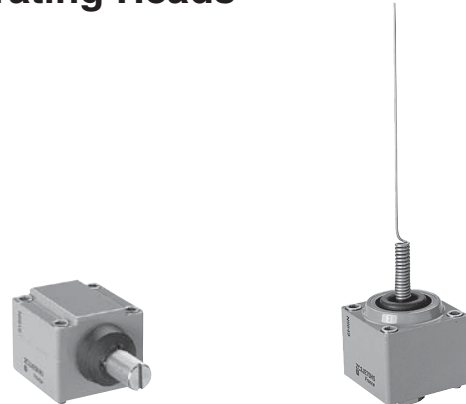
ZC2JY91

Die Cast Zinc. For Use With PXCJ Switch Bodies		
Part Number	Operator	Description
ZC2JY11	Delrin Roller	Spring Return
ZC2JY13	Steel Roller	
ZC2JY21	Offset Delrin Roller	
ZC2JY81	Plastic Spring Rod	
ZC2JY91	Metal Spring Rod	
ZC2JY31	Delrin Roller	Adjustable Roller
ZC2JY41	Offset Delrin Roller	
ZC2JY51		Rod Lever
ZC2JY71	Single Track, Delrin Roller	Fork Lever
ZC2JY61	Double Track, Delrin Rollers	

NNP: Normally Non-Passing

NP: Normally Passing

Top Plunger & Rotary Operating Heads



ZC2JE01

ZC2JE70

Die Cast Zinc. For Use With PXCJ Switch Bodies		
Top Plunger Type		
Part Number	Operation	Description
ZC2JE61	Top Push	Spring Return
ZC2JE62	Top Roller Push	
ZC2JE63	Side Push	
ZC2JE70	Cat's Whisker	
Rotary Type		
ZC2JE01	From Left & Right	Spring Return
ZC2JE02	Counterclockwise From Right	
ZC2JE03	Clockwise From Left	
ZC2JE05	From Left or Right	
ZC2JE09	Maintained Positions	



Specifications

Air Quality –

Standard Shop Air, Lubricated or Dry, 40µm Filtration

Flow SCFM (NI/min)..... 7.4 (210)

Materials –

Body..... Zinc Alloy

Poppets..... Polyurethane

Seals..... Nitrile (Buna N)

Maximal Operating Frequency 5 Hz

Nominal Bore Ø 1/8" (3 mm)

Number of Operations with Dry Air at 90 PSI (6 bar) and 68°F (20°C) – Frequency 1 Hz..... 10 Million

Operating Positions..... All Positions

Operating Pressure 40 to 115 PSIG (3 to 8 bar)

Ports 1/8" NPT

Temperature –

Operating 32°F to 122°F (0°C to + 50°C)

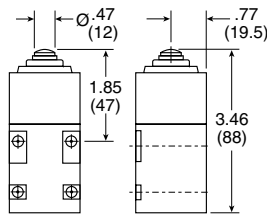
Storage -22°F to 140°F (-30°C to +60°C)

Operator Specifications

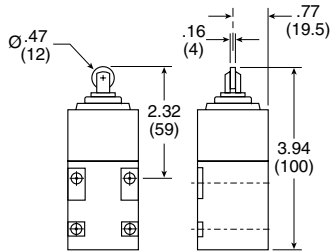
	ZC2JE61	ZC2JE62	ZC2JE70	ZC2JE01	ZC2JE05
Differential Angle	—	5°	5°	2°	2°
Differential Travel at 90 PSI (6 bar)	.008" (0.2 mm)	—	—	—	—
Maximum Angle of Travel	—	—	—	75°	75°
Maximum Travel (B) at 90 PSIG (6 bar)	228" (5.8 mm)	—	—	—	—
Minimum Pre-Travel (A) at 90 PSIG (6 bar)	.059" (1.5 mm)	—	—	—	—
Minimum Operating Force at 90 PSI (6 bar)	3.6 lbf (16N)	—	—	—	—
Minimum Operating Torque at 90 PSI (6 bar)	7.1 oz in (50Nm)	35.4 oz in (250Nm)	35.4 oz in (250Nm)	35.4 oz in (250Nm)	—
Operating Angle (Minimum Lever Travel Including Pre-Travel Required For Operation)	—	23°	23°	12°	12°
Operating Diagram	<p>The diagram for ZC2JE61 and ZC2JE62 shows three states: Rest (a shaded block on a surface), Operation (the block tilted upwards with a dashed line and arrow labeled 'A' indicating the pre-travel distance), and Maximum Travel (the block tilted further upwards with a dashed line and arrow labeled 'B' indicating the total travel distance).</p>		<p>The diagram for ZC2JE70 shows a vertical lever pivoted at the bottom. Two angles labeled 'A' are shown, representing the range of motion for the lever.</p>	<p>The diagram for ZC2JE01 and ZC2JE05 shows a lever pivoted at the bottom. Two angles labeled 'A' are shown for the pre-travel distance, and two angles labeled 'B' are shown for the maximum travel distance.</p>	

Switch Body With Plunger Heads

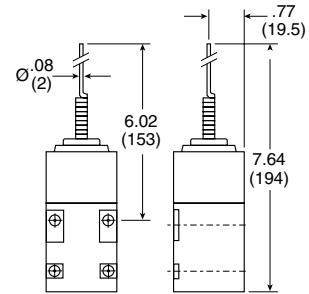
With ZC2JE61



With ZC2JE62

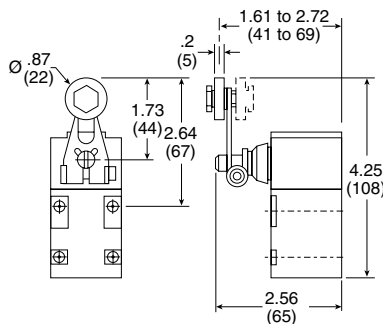


With ZC2JE70

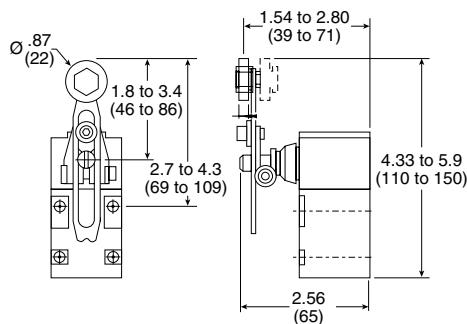


Switch Body With Rotary Heads and Operating Levers

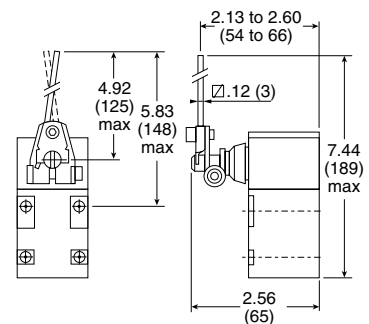
With ZC2JY11



With ZC2JY31

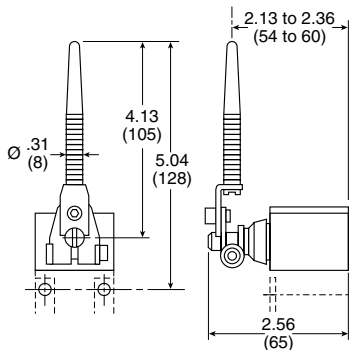


With ZC2JY51

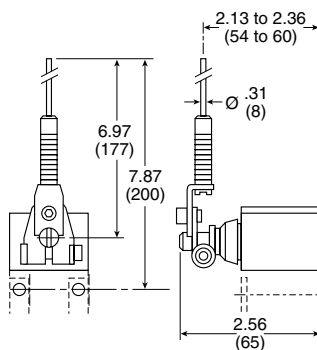


Rotary Heads With Operating Levers

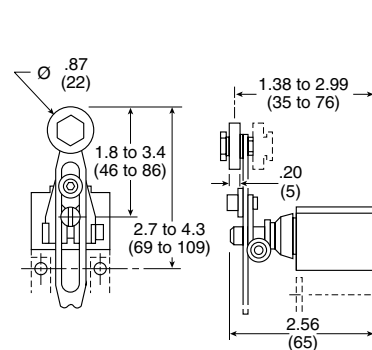
ZC2JY81



ZC2JY91

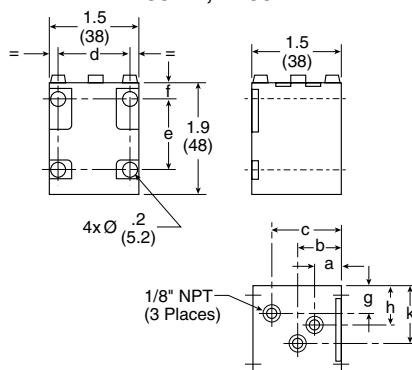


ZC2JY41



Pneumatic Switch Bodies

PXCJ117, PXCJ127



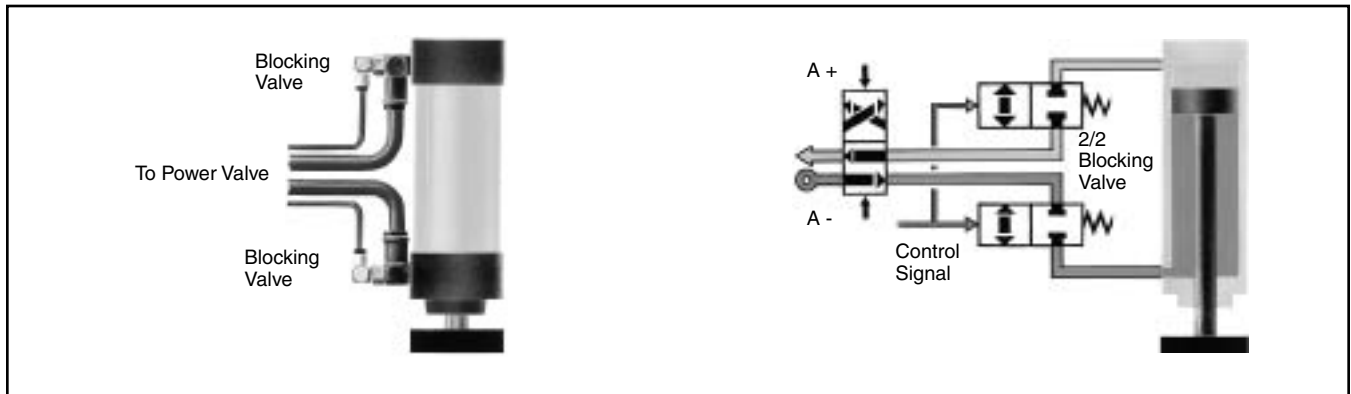
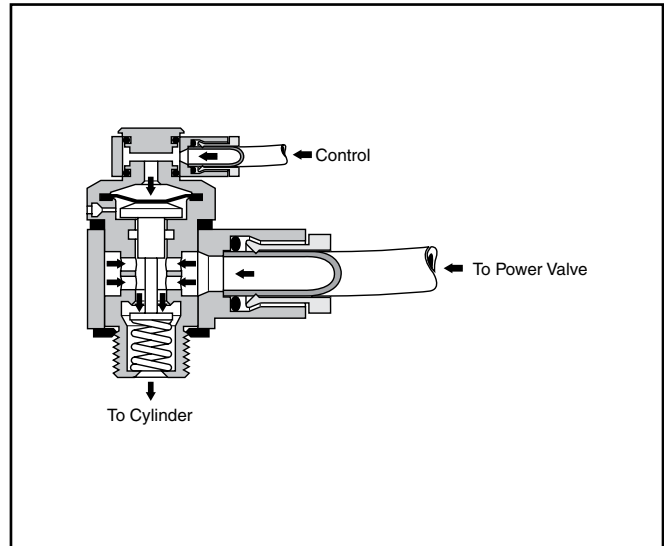
	inch	mm
a	.47	12
b	.75	19
c	1.16	29.5
d	1.14 to 1.18	29 to 30
e	1.18	30
f	.28	7
g	.43	11
h	.51	13
k	.94	24



Blocking Valves

The blocking valve is a single acting spring return 2/2 valve in a fitting format. The device requires a pneumatic pilot signal to open, which allows free flow of air, gas or liquid to pass. As long as a pilot signal is present, the device will remain open. When the pilot signal is removed, the internal spring will close the blocking valve, bubble tight. The blocking valve is oil serviceable and rated to 150 PSI.

These devices have two primary design uses: (1) to prevent unwanted gravity induced motion in cylinders during shut down procedures or during periods of lost supply pressure and (2) freezing the cylinder position by using a blocking valve at each end of the cylinder. Application needs such as tool or work piece protection, horizontal indexing or inspection stops are often satisfied by these devices.



D

PWBA General Characteristics

Operating Pressure	0 to 150 PSI
Permissible Fluids	Air or neutral gas, 50 µm filtration, lubricated or not
Operating Temperature	5° to 140°F (-15° to 60°C)
Storage Temperature	-40° to 160°F (-40° to 70°C)
Flow	See page w15
Mechanical Life	10 Million
Maximum Operating Frequency	10Hz
Material: Body	Zinc alloy
Mounting Screw	Brass
Maximum Mounting Torque: 10-32 UNF and M5	88 inch pounds
1/8"	70 inch pounds
1/4"	105 inch pounds
3/8"	265 inch pounds
1/2"	310 inch pounds
Adjustment	N/A
Adjustment Locking	N/A

Piloting and De-Piloting Pressure

Blocking Valve Sizes	Pilot with Operating Pressure of:			
	30 PSI	60 PSI	90 PSI	120 PSI
1/8" BSP or NPT	33 PSI	40 PSI	45 PSI	50 PSI
1/4" BSP or NPT	33 PSI	40 PSI	45 PSI	50 PSI
3/8" BSP or NPT	35 PSI	40 PSI	45 PSI	50 PSI
1/2" BSP or NPT	45 PSI	50 PSI	55 PSI	60 PSI
Blocking Valve Sizes	Depilot with Operating Pressure of:			
	30 PSI	60 PSI	90 PSI	120 PSI
1/8" BSP or NPT	20 PSI	25 PSI	30 PSI	34 PSI
1/4" BSP or NPT	20 PSI	25 PSI	30 PSI	34 PSI
3/8" BSP or NPT	20 PSI	25 PSI	30 PSI	34 PSI
1/2" BSP or NPT	25 PSI	30 PSI	34 PSI	40 PSI

For Cylinder Mounting
 (Can also be mounted in Threshold Sensor Banjo)

With Instant Tube Fittings



PWBA3469

Symbol	BSP			NPT				
	Connection for Pilot	Cylinder Port Thread (Male)	Connection for Tube	Catalog Number	Connection for Pilot	Cylinder Port Thread (Male)	Connection for Tube	Catalog Number
	4mm Tube	1/8"	6mm	PWBA1468	5/32" Tube	1/8"	1/4"	PWBA3468
		1/4"	6mm	PWBA1469		1/4"	1/4"	PWBA3469
		1/4"	8mm	PWBA1489		3/8"	3/8"	PWBA3493
		3/8"	8mm	PWBA1483				
		3/8"	10mm	PWBA1493				
		1/2"	12mm	PWBA1412		1/2"	1/2"	PWBA3412

With Threaded Connections and Tube Pilot Port



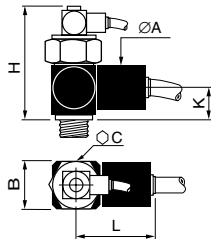
PWBA3833

Symbol	BSP			NPT				
	Connection for Pilot	Cylinder Port Thread (Male)	Connection from Valve (Female)	Catalog Number	Connection for Pilot	Cylinder Port Thread (Male)	Connection from Valve (Female)	Catalog Number
	4mm Tube	1/8"	1/4"	PWBA1898	5/32" * Tube	1/8"	1/8"	PWBA3888
		1/4"	1/4"	PWBA1899		1/4"	1/4"	PWBA3899
		3/8"	3/8"	PWBA1833	5/32" * Tube	3/8"	3/8"	PWBA3833
		1/2"	1/2"	PWBA1822		1/2"	1/2"	PWBA3822

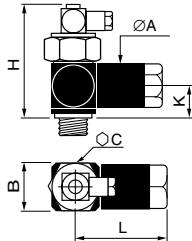
* Instant fitting

With Threaded Connections and Threaded Pilot Port

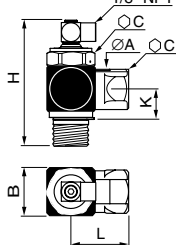
PWBA14/34



PWBA18/38



PWBA38



Connection for Pilot	NPT		Catalog Number
	Cylinder Port Thread (Male)	Connection from Valve	
1/8" pipe	1/8"	1/8"	PWBA3788
	1/4"	1/4"	PWBA3799
	3/8"	3/8"	PWBA3733
	1/2"	1/2"	PWBA3722

Dimensions: Inches (mm)

	Flow*	ØA	B	C	K	H	L
PWBA1468/3468	14.8	0.86" (22)	0.82" (21)	0.94" (24)	0.53" (13.5)	2.32" (59)	1.54" (39)
PWBA1469/3469 PWBA1489	19.4	0.86" (22)	0.82" (21)	0.94" (24)	0.53" (13.5)	2.09" (53)	1.54" (39)
PWBA1483 PWBA1493/3493	45.9	1.06" (27)	1.10" (28)	0.94" (24)	0.55" (14)	2.09" (53)	1.98" (50)
PWBA1412/3412	81.2	1.22" (31)	1.30" (33)	1.30" (33)	0.94" (24)	2.59" (66)	2.59" (66)
PWBA1898/3888	14.8	0.86" (22)	0.82" (21)	0.94" (24)	0.53" (13.5)	2.32" (59)	1.71" (43.5)
PWBA1899/3899	19.4	0.86" (22)	0.82" (21)	0.94" (24)	0.53" (13.5)	2.09" (53)	1.71" (43.5)
PWBA1833/3833	45.9	1.06" (27)	1.10" (28)	0.94" (24)	0.55" (14)	2.09" (53)	2.18" (55)
PWBA1822/3822	81.2	1.22" (31)	1.30" (33)	1.30" (33)	0.94" (24)	2.59" (66)	2.47" (63)
PWBA38887	14.8	0.75" (19)	0.87" (22)	0.83" (21)	0.67" (17)	2.20" (56)	1.73" (44)
PWBA38997	19.4	0.75" (19)	0.87" (22)	0.83" (21)	0.67" (17)	2.20" (56)	1.73" (44)
PWBA38337	45.9	1.06" (27)	1.18" (30)	1.06" (27)	0.91" (23)	2.64" (67)	1.42" (36)
PWBA38227	81.2	1.06" (27)	1.18" (30)	1.06" (27)	0.91" (23)	2.64" (67)	1.42" (36)

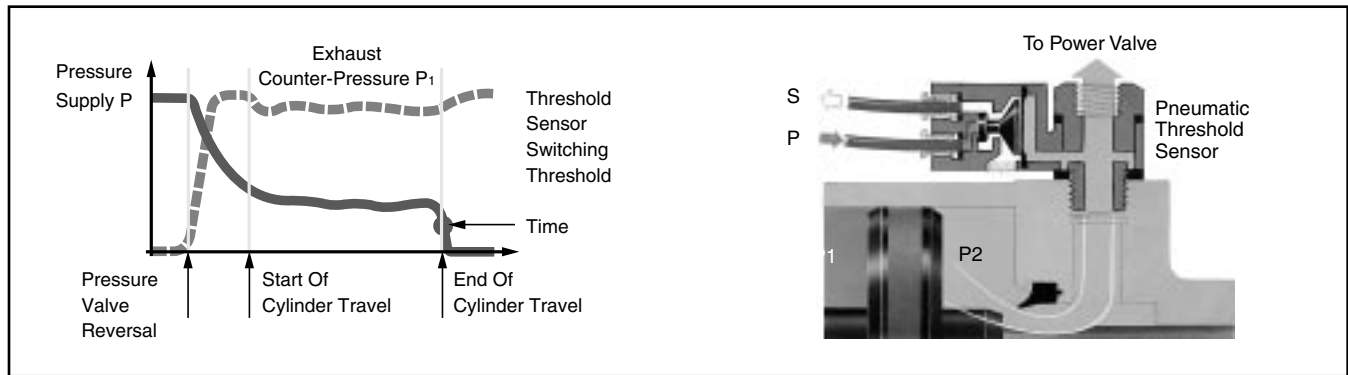
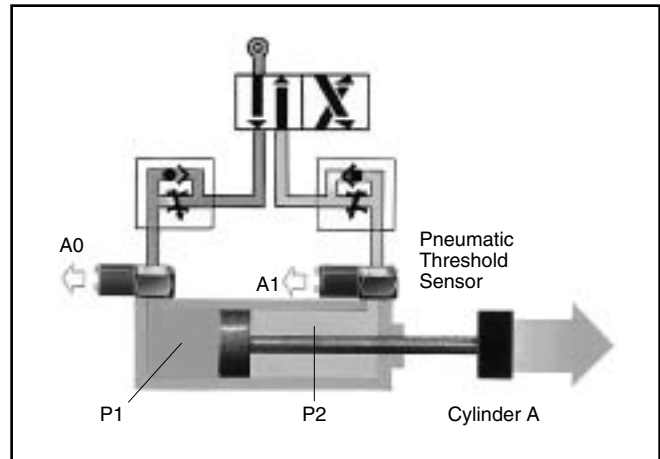


General Description

Threshold Sensors – PWS

The plug-in threshold sensors provide feedback information on pneumatic cylinder status in one of three possible outputs . . . pneumatic, electric, or electronic. Mounted into the cylinder port, these devices monitor the back pressure of the cylinder's exhaust. When the cylinder's piston stops, the back pressure rapidly drops and the threshold sensor provides the desired output. Ideal for variable stroke applications such as robotics where other sensor type devices such as limit switches are impractical, these devices provide a signal whenever the cylinder stops motion.

The threshold sensor consists of two complementary sub assemblies (1) the banjo fitting and (2) the plug-in sensor element. In all cases, the sensor is easily plugged into the banjo fitting and locked in place with a spring clip. The banjo fitting is designed to accept (piggy backed) other functional fittings such as flow controls or blocking valves. Simply select the sensor based on the type feedback signal that best fits the application.



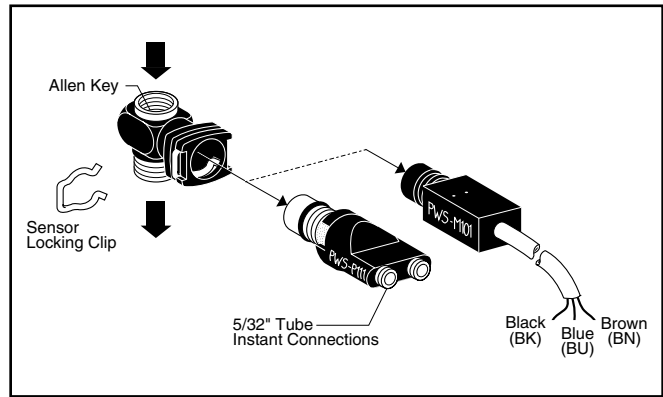
D

PWS General Characteristics

Operating Pressure	0 to 150 PSI
Permissible Fluids	Air or neutral gas, 50 µm filtration, lubricated or not
Operating Temperature	5° to 140°F (-15° to 60°C)
Storage Temperature	-40° to 160°F (-40° to 70°C)
Flow	N/A
Mechanical Life	10 Million
Maximum Operating Frequency	10Hz
Material: Body	Thermoplastic
Mounting Screw	Brass
Maximum Mounting Torque: 10-32 UNF and M5	88 inch pounds
1/8"	70 inch pounds
1/4"	105 inch pounds
3/8"	265 inch pounds
1/2"	310 inch pounds
Adjustment	N/A
Adjustment Locking	N/A

Piloting and De-Piloting Pressure

Threshold Sensors	Pilot with Operating Pressure of 90 PSI	Depilot with Operating Pressure of 90 PSI
PWSP111	64 PSI	6 PSI
PWSM1012	15 PSI	9 PSI
PWSE101 and PWSE111	10 PSI	7 PSI



Model Selection

Banjo Sockets (with Sensor Clip)		
Port Size	Model Number	Wrench
10-32	PWSB1557	5/16" Hex
1/8"	PWSB1887	3/16" Allen
1/4"	PWSB1997	5/16" Allen
3/8"	PWSB1337	3/8" Allen
1/2"	PWSB1227	1/2" Allen

Plug-in Sensors		
Output	Model Number	Connection
Pneumatic	PWSP111	5/32" push-in
Electrical	PWSM1012	3-wire cable (6 ft)

Application

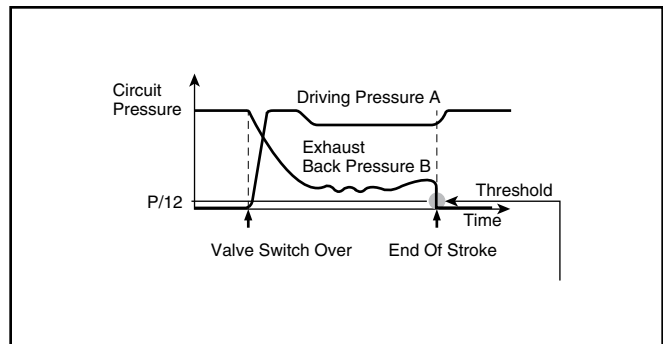
The threshold sensor provides electrical or pneumatic feedback information on pneumatic (air) cylinder status. These devices monitor the back pressure of the cylinder's exhausting chamber. When the cylinder stops, the back pressure drops and the threshold sensor provides the desired output. Ideal for variable stroke applications. The banjo fitting and the feedback element are two separate subassemblies, giving the user flexibility between electrical and pneumatic outputs as feedback.

Mounting

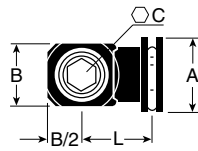
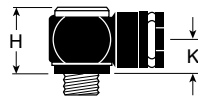
Banjo fittings in 10-32 to 1/2" pipe sizes are designed to be installed directly into actuator ports (up to 5" bore cylinders). The banjo fitting can accommodate other functional fittings and components such as right angle flow control valves or blocking valves. Banjo fittings screw into actuators using an Allen wrench or 5/16" hex head wrench for 10-32 size. Electrical or pneumatic feedback element snaps into place using a locking clip.

Operation

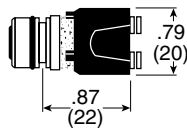
Pneumatic sensors have a continuous pressure signal applied to the sensor device. Electrical sensors have a continuous electrical signal applied to the sensor device. The threshold sensor assembly mounted directly into the cylinder Port provides an output signal S, which can be pneumatic or electrical, when the falling back pressure in the exhausting chamber of the cylinder reaches the operating threshold (approximately 6-9 PSIG). (The device is a normally passing device. The output is only on when there is nearly zero pressure at the cylinder.)



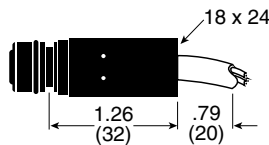
Dimensions



Banjo Socket



PWSP111



PWSM1012

Model	A	B	C	H	K	L
PWSB1557	.98 (25)	.43 (11)	5/16" Hex	.79 (20)	.40 (10)	.67 (17)
PWSB1887	.98" (25)	.63 (16)	3/16" Allen	.71 (18)	.40 (10)	.79 (20)
PWSB1997	.98 (25)	.83 (21)	5/16" Allen	.71 (18)	.40 (10)	.87 (22)
PWSB1337	.98 (25)	1.10 (28)	3/8" Allen	.79 (20)	.47 (12)	.98 (25)
PWSB1227	.98 (25)	1.30 (33)	1/2" Allen	.93 (24)	.55 (14)	1.02 (26)

inches
(mm)

Specifications

Operating Pressure 0 to 150 PSIG (0 to 10 bar)

Temperature Range 5°F to 140°F (-15°C to 60°C)

CAUTION: If it is possible that the ambient temperature may fall below freezing, the medium must be moisture free to prevent internal damage or unpredictable behavior.

Maximum Operating Frequency 10 Hz

Pilot Pressure (PWSP111) >64 PSIG (4.4 bar)

Threshold Pressure 6 to 9 PSIG (.4 to .6 bar)

Output Flow Rate (PWSP111) 3 SCFM at 90 PSIG

Current Rating (PWSM1012) –

5 VA, 250 VAC

5W, 48 VAC

Materials –

Body Thermoplastic

Mounting Screw & Threads Brass

Life Expectancy –

10 million cycles with dry air at 90 PSIG, 68°F, and 1 Hz operating frequency

Voltage Range (PWSM1012) –

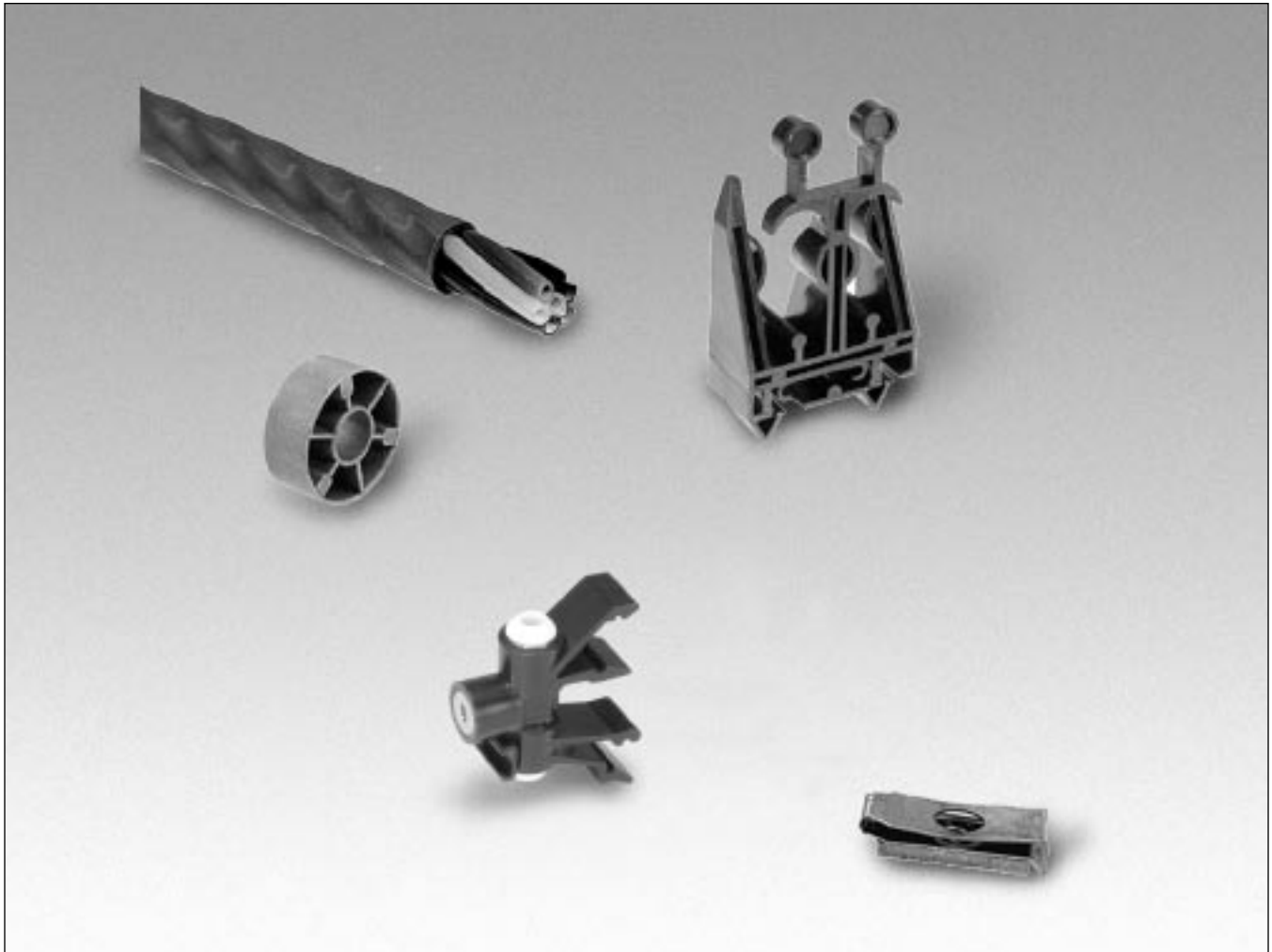
12 - 240 VAC

12 - 48 VDC

D

Universal Description	Electrical		Fluid Power		
	Function	Symbol	Function	Symbol	
Normally Non-Passing (NNP)	Normally Open (N.O.)		Normally Closed (N.C.)	2-Way	3-Way
Normally Passing (NP)	Normally Closed (N.C.)		Normally Open (N.O.)		

Section E



E

Basic Features..... E2-E3

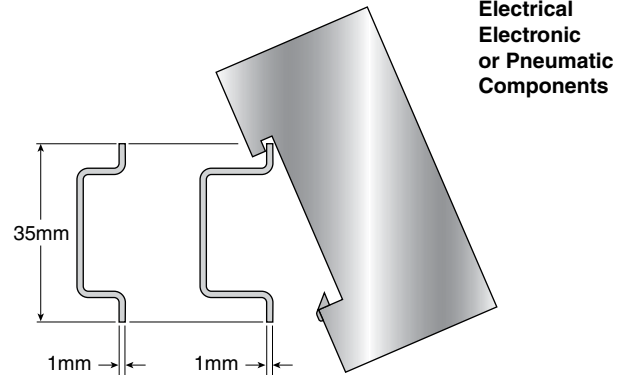
Mounting Accessories

Rail, Spacers, Terminal Blocks, ToolsE4

**MOUNTING
ON DIN RAIL**

Suitable for various uses, the rails shown on the right all conform to standards NF, DIN, EN: width 35 mm, latching groove thickness 1 mm.

They are therefore suitable for the simple clip-on mounting of all standard components.



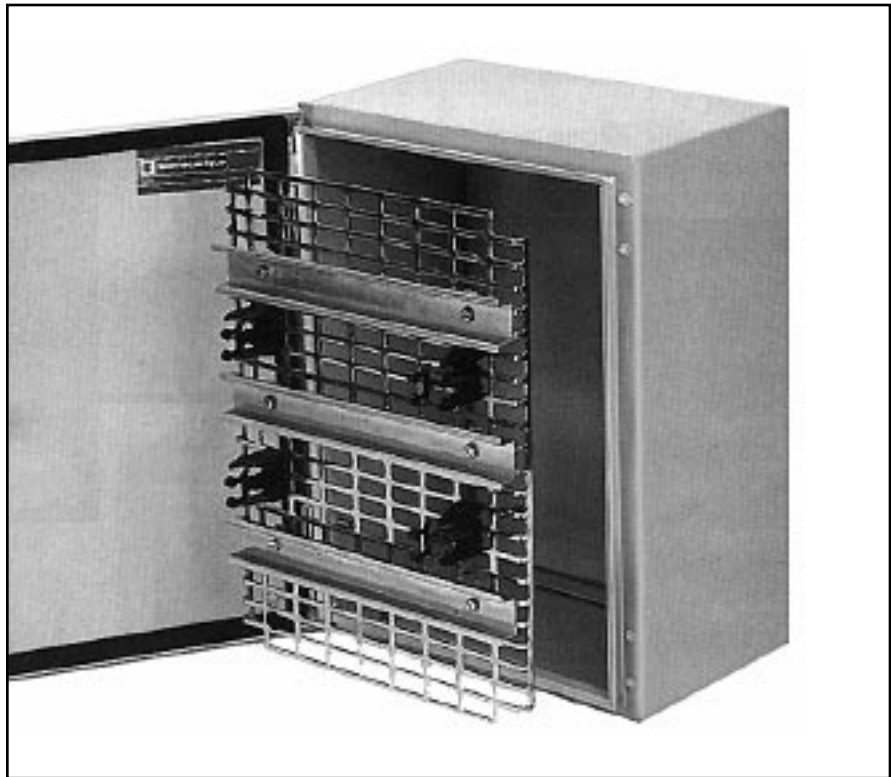
**MOUNTING
IN ENCLOSURE**

When pneumatic components generated humid exhausts, they had to be separated from electrical components, and a special pneumatics enclosure was necessary.

Now that the exhaust is captured and/or the air is dry, it has become more economical to locate the electro- mechanical, electronic, and pneumatic components in the same enclosure: the assembly is more compact, the connections are shorter, the component positions and their referencing are more logical, thus facilitating any interventions.

The Grid System

Very familiar to electricians, the system includes the enclosures, the mounting plates, the rails and all the installation and wiring accessories for the three technologies: electromechanical, electronic and pneumatic.

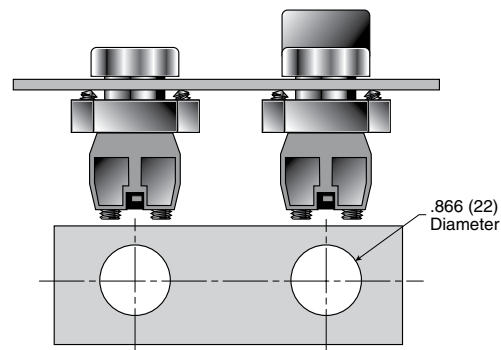


**MOUNTING
IN A CONTROL STATION**

The pneumatic push-buttons presented have the same operating heads as electrical push-buttons.

Because of this, their installation in control panels or control stations is exactly the same :

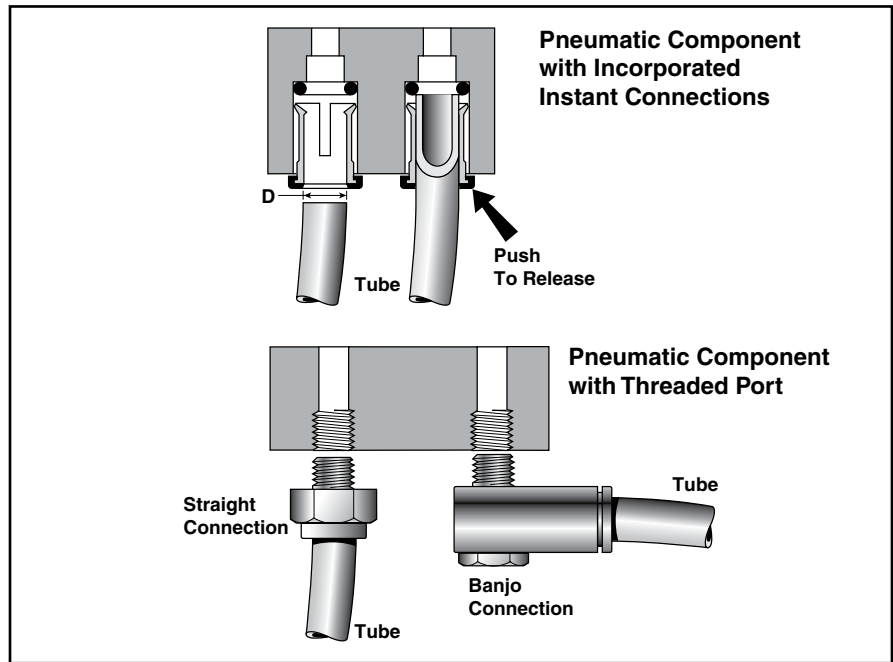
- same mounting centers;
- same cutout Ø.



E

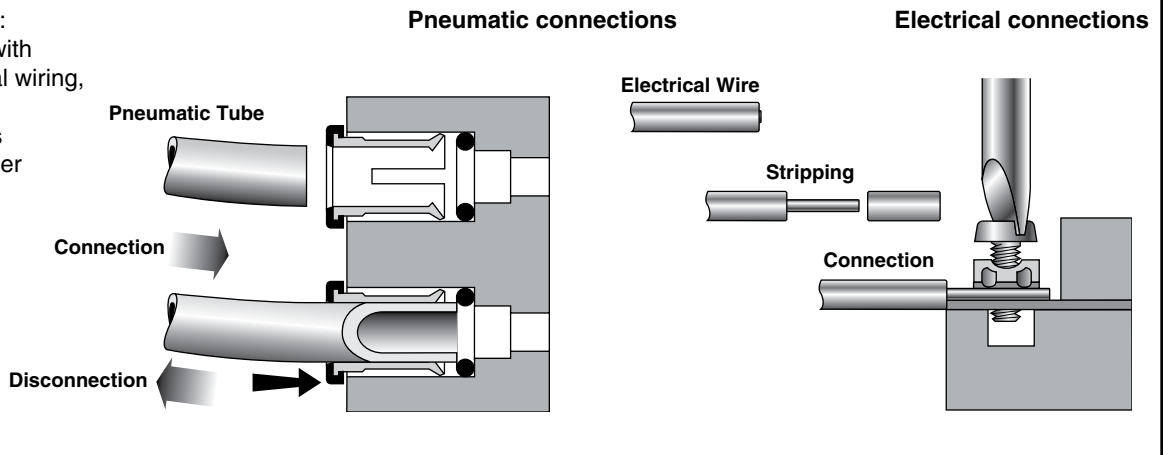
PNEUMATIC CONNECTIONS

The flexible pneumatic tubes are connected without preparation, by simply pushing into the component connection. Disconnection is also instant. One push on the external collet unlocks the tube.

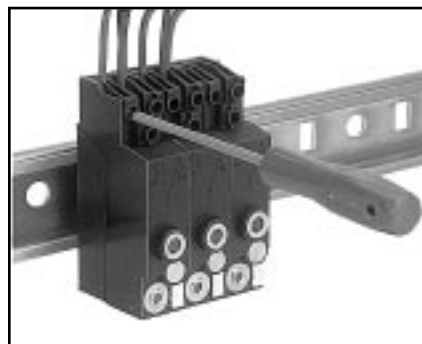


COMPARISON :

In comparison with current electrical wiring, connection and disconnection is simpler and faster with pneumatic tubing.



ELECTRICAL CONNECTIONS



On Modular Interfaces

Designed to be mounted in an enclosure, electro-pneumatic or pneumo-electric interfaces are all connected by screw terminals, as are industrial electrical or electronic components.



Plug-In Connectors

When it is necessary to mount the components outside the enclosure, the solenoid valves are fitted with a protected plug-in connector (IP65).

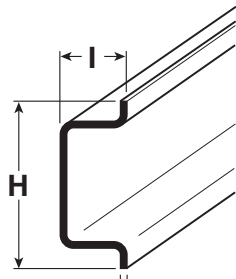


Mounting Accessories

Accessories

Rail, Spacers, Tubing Clamps, Tools

Mounting Rail



AM1DE200

Part Number	Length	Description
AM1DE200	6 Feet	Zinc Chromated Steel 1.5mm Thick To DIN EN 50022

Mounting Accessories



AZ1CA04

Part Number	Height Inches (mm)	Description
AZ1CA029123	3/4" (20)	Sold In Sets Of Four (4)



AF1EA51

Part Number	Thread Size	Description
AF1EA51	10-24 (ØM5)	Clip On Nut Sold In Sets Of 100

Push-In Fitting



Part Number	Thread Size	Description
HS3PK4	5/32" (4)	2 Ports with Pressure Indicator

Tools



PZCM994



PZCM888

Part Number	Tube Size	Description
PZCM994	5/32" (4)	Tube Disconnecting Tool
PZCM996	1/4" (6)	
PZCM888	—	Tube Cutter

Clip-On Terminal Blocks Subbase

Part Number	Thread Size	Description
PZCB2268	1/4" (6)	2 Ports

E

Section F

What is ATEX?

ATEX is a European Directive (94/9/EC) valid for products to be used within an explosive atmosphere.



Why is ATEX?

Harmonized European ATEX Standard

The European Union has adopted two harmonized directives in the field of health and safety. The directives are known as ATEX100a and ATEX137. Directive ATEX100a (94/9/EC) lays down minimum safety requirements for products intended for use in potentially explosive atmospheres in European Union member states. Directive ATEX137(99/92/EC) defines minimum requirements for health and safety at the workplace, for working conditions and for the handling of products and materials in potentially explosive atmospheres. This directive also divides the workplace into **zones** and defines criteria by which products are **categorized** within these zones.

The **owner** of the installation must analyze and assess the area in which the explosive gas / dust mixture may occur, and if necessary must divide it into. This process of zoning then allows the correct plant and equipment to be selected for use in the area.

Zones		Presence of Potentially Explosive Atmosphere	Type of Risk
Gas G	Dust D		
0	20	Present Continuously or for Long Periods	Permanent
1	21	Likely to Occur in Normal Operation Occasionally	Potential
2	22	Not Likely to Occur in Normal Operation but, if it Does Occur, will Persist for a Short Period Only	Minimal

Levels of Protection for the Various Equipment Categories

The various equipment categories must be capable of operating in accordance with the manufacturer's operating specifications at defined levels of protection. With regard to the Machinery Directive, directive 94/9/EC (ATEX100a) takes precedence over the Machinery directive with regard to explosion protection in potentially explosive atmospheres.

Level of Protection	Category		Type of Protection	Operating Specification
	Group I	Group II		
Very High	M1	—	Two independent means of protection or safety, ensuring that the equipment remains functional even in the event of two faults occurring independently of each other	The equipment remains energized and functional even with an explosive atmosphere present
Very High	—	1	Protection suitable for normal operation and severe operating conditions	The equipment remains energized and functional in zones 0, 1, 2 (G) and / or zones 20, 21, 22 (D)
High	M2	—	Protection suitable for normal operation and frequent faults, or equipment in which faults normally have to be taken into account	The equipment is de-energized in the event of an explosive atmosphere
High	—	2	Protection suitable for normal operation	The equipment remains energized and functional in zones 1, 2 (G) and / or zones 21, 22 (D)
Normal	—	3	Protection suitable for normal operation	The equipment remains energized and functional in zone 2 (G) and / or zone 22 (D)



Classifying of Ex-equipment According to the ATEX-directive

Group	I Mines, Combustible Vapors		II Other Potentially Explosive Atmospheres (Gases, Dusts, Mists and Vapors)					
	M1	M2	1		2		3	
Category			G	D	G	D	G	D
Atmosphere								
Zone			0	20	1	21	2	22

What are the Stated Temperature Classes?

Classification of flammable gases and vapors on the basis of ignition temperature.

Temperature Classes	Maximum Allowed Surface Temperature on the Material in C°
T1	450
T2	300
T3	200
T4	135
T5	100
T6	85

ATEX Product Compliance

Products	Part Number	Labels	Zones
Limit Switches	PXC-M	T6 (85°C)	1, 2, 21, 22
Logic	PLL-, PLK-, PLN-	T6 (85°C)	1, 2, 21, 22
	PSV-A1		
Control Duty	PXV-F1, PXB- B4	T6 (85°C)	1, 2, 21, 22
Cylinder Control	PWS-P111	T6 (85°C)	1, 2, 21, 22

F

Please Note

For ATEX Product Information:

www.parker.com/pneumatic

Click on: Divisions

Click on: Pneumatic Division Europe

Click on: ATEX Products

Notes

Notes

G

Part Number	Page	Part Number	Page	Part Number	Page	Part Number	Page
2147900.....	A39	PLND12.....	A13	PS1E216702J.....	B4	PVAF101M.....	A28
2147950.....	A39	PPRL05.....	A40	PS1E2301B.....	B5	PVAF102B.....	A28
7097J03711.....	A32	PPRL08.....	A40	PS1E2301E.....	B5	PVAF102E.....	A28
AB1-G•.....	B7	PPRL09.....	A40	PS1E2301F.....	B5	PWBA1412.....	D15
AB1-R•.....	B7	PPRL12.....	B7	PS1E2301M.....	B5	PWBA1468.....	D15
AB1-R12.....	B7	PPRL13.....	B7	PS1E2302B.....	B5	PWBA1469.....	D15
AB1-R13.....	B7	PPRL15.....	C16	PS1E2302E.....	B5	PWBA1483.....	D15
AF1EA51.....	E4	PRDA10.....	A26	PS1E2302J.....	B5	PWBA1489.....	D15
AM1DE200.....	A40, E4	PRDA12.....	A26	PS1E2351B.....	B5	PWBA1493.....	D15
AZ1CA029123.....	E4	PREA10.....	A31	PS1E2351E.....	B5	PWBA1822.....	D15
BNC3P10.....	A34	PREA12.....	A31	PS1E2351F.....	B5	PWBA1833.....	D15
BNC3P20.....	A34	PRFA10.....	A24	PS1E2351M.....	B5	PWBA1898.....	D15
BPB3P10.....	A34	PRFA12.....	A24	PS1E2352B.....	B5	PWBA1899.....	D15
BPB3P20.....	A34	PRSA121B.....	A28	PS1E2352E.....	B5	PWBA3412.....	D15
HS3PK4.....	E4	PRSA121F.....	A28	PS1E2352J.....	B5	PWBA3468.....	D15
K05M11040050.....	A38	PRSA122B.....	A28	PS1E28101B.....	B4	PWBA3469.....	D15
K05M11040012.....	A38	PRSD10.....	A28	PS1E28101F.....	B4	PWBA3493.....	D15
LPS10/2.....	A29	PRTA10.....	A15	PS1E28102B.....	B4	PWBA3822.....	D15
LPS10/3.....	A29	PRTA12.....	A15	PS1E28102J.....	B4	PWBA3833.....	D15
LA9D901.....	A15	PRTB10.....	A15	PS1E286701B.....	B4	PWBA3888.....	D15
LPSV10.....	A32	PRTC10.....	A15	PS1E286701F.....	B4	PWBA3899.....	D15
P2E-KS31C1.....	B5	PRTD10.....	A15	PS1E286702B.....	B4	PWSB1227.....	D17
P2E-KS31C2.....	B5	PRTE10.....	A15	PS1E29101B.....	B4	PWSB1337.....	D17
P2E-KS31F1.....	B5	PRTF10.....	A15	PS1E29101F.....	B4	PWSB1557.....	D17
P2E-KS31F2.....	B5	PS1E101.....	B4	PS1E29102B.....	B4	PWSB1887.....	D17
P2E-KS32B1.....	B5	PS1E102.....	B4	PS1E29102J.....	B4	PWSB1997.....	D17
P2E-KS32B2.....	B5	PS1E1017.....	B4	PS1E296701F.....	B4	PWSM1012.....	D17
P2E-KS32C1.....	B5	PS1E1027.....	B4	PS1P1081.....	A30, B5	PWSP111.....	D17
P2E-KS32C2.....	B5	PS1E1038.....	B4	PS1P1091.....	A30, B5	PXBB1911.....	C7
PCMC11.....	A37	PS1E10387.....	B4	PS3441B42P.....	B5	PXBB1911SE.....	C7
PCMD11.....	A37	PS1E111.....	B4	PS3441B45P.....	B5	PXBB1912.....	C7
PCME11.....	A37	PS1E116.....	B4	PS3441B49P.....	B5	PXBB1915.....	C7
PCPA11.....	A37	PS1E1167.....	B4	PS3441B53P.....	B5	PXBB1921.....	C7
PCTA11.....	A37	PS1E1511F.....	B7	PS3441C42P.....	B5	PXBB1921SE.....	C7
PCTB11.....	A37	PS1E1620B.....	B7	PS3441C45P.....	B5	PXBB1922.....	C7
PLEB12.....	A12	PS1E1620E.....	B7	PS3441C49P.....	B5	PXBB1925.....	C7
PLJC10.....	A13	PS1E181.....	B4	PS3441C53P.....	B5	PXBB2911.....	C7
PLKA11.....	A11	PS1E186.....	B4	PSBA12.....	A20	PXBB2915.....	C7
PLKB12.....	A12	PS1E1867.....	B4	PSDA12.....	A20	PXBB2921.....	C7
PLKC10.....	A13	PS1E191.....	B4	PSDB12.....	A20	PXBB2925.....	C7
PLLA11.....	A11	PS1E196.....	B4	PSEA127.....	A20	PXBB3111B.....	C7
PLLB12.....	A12	PS1E1967.....	B4	PSMA10.....	A20	PXBB3111BA2.....	C4
PLLC10.....	A13	PS1E21101B.....	B4	PSMA12.....	A20	PXBB3111BA3.....	C4
PLMA10.....	A19	PS1E21101F.....	B4	PSMB10.....	A20	PXBB3111BA4.....	C4
PLMA12.....	A19	PS1E21102B.....	B4	PSMB12.....	A20	PXBB3111BC2.....	C4
PLNB12.....	A12	PS1E21102J.....	B4	PSVA12.....	A20	PXBB3111BD2.....	C4
PLNC10.....	A13	PS1E216701B.....	B4	PVAF101B.....	A28	PXBB3111BT4.....	C4
PLNC12.....	A13	PS1E216701F.....	B4	PVAF101E.....	A28	PXBB3121B.....	C7
PLND10.....	A13	PS1E216702B.....	B4	PVAF101F.....	A28	PXBB3121BT4.....	C4



Index

Product Reference

Part Number	Page	Part Number	Page	Part Number	Page	Part Number	Page
PXBB3211BD2	C4	PXCK22106	D7	ZB4BC3	C5	ZBY2303	C9
PXBB3211BD3	C4	PXCK22121	D7	ZB4BC4	C5	ZBY2304	C9
PXBB3211BJ5	C4	PXCM111	D3	ZB4BD2	C6	ZBY2305	C9
PXBB3251BA2	C4	PXCM115	D3	ZB4BD3	C6	ZBY2306	C9
PXBB3251BD2	C4	PXCM121	D3	ZB4BD4	C6	ZBY2307	C9
PXBB3251BD3	C4	PXCM125	D3	ZB4BD5	C6	ZBY2308	C9
PXBB3911	C7	PXCM521	D3	ZB4BD7	C6	ZBY2309	C9
PXBB3912	C7	PXCM601A102	D5	ZB4BD8	C6	ZBY2310	C9
PXBB3921	C7	PXCM601A103	D5	ZB4BG2	C6	ZBY2311	C9
PXBB3922	C7	PXCM601A110	D5	ZB4BG3	C6	ZBY2312	C9
PXBB4131B	C7	PXCZ11	D5	ZB4BG4	C6	ZBY2313	C9
PXBB4131BA2	C4	PXCZ12	D5	ZB4BG5	C6	ZBY2314	C9
PXBB4131BA3	C4	PXDA111	A27	ZB4BG7	C6	ZBY2321	C9
PXBB4131BA4	C4	PXFA111	A25	ZB4BH02	C5	ZBY2323	C9
PXBB4131BC2	C4	PXFA121	A25	ZB4BH03	C5	ZBY2326	C9
PXBB4131BD2	C4	PXFA131	A25	ZB4BH04	C5	ZBY2327	C9
PXBB4131BT4	C4	PXPA11	C16	ZB4BJ2	C6	ZBY2328	C9
PXBB4231BA2	C4	PXPB311B	C16	ZB4BJ3	C6	ZBY2330	C9
PXBB4231BD2	C4	PXPC111	C15	ZB4BJ4	C6	ZBY2334	C9
PXBB4231BD3	C4	PXPEA110	C14	ZB4BJ5	C6	ZBY2367	C9
PXBB4231BJ5	C4	PXPEM110	C14	ZB4BL2	C5	ZBY2387	C9
PXBDD104	C12	PXPEM510	C14	ZB4BL3	C5	ZBY4101	C9
PXBDD508	C12	PXVF111	C11	ZB4BL4	C5	ZC2JE01	D11
PXBGA8211	C13	PXVF131	C11	ZB4BL5	C5	ZC2JE02	D11
PXBGA8221	C13	PXVF141	C11	ZB4BP2	C5	ZC2JE03	D11
PXBGA8411	C13	PXVF151	C11	ZB4BP3	C5	ZC2JE05	D11
PXBGA8421	C13	PXVF161	C11	ZB4BP4	C5	ZC2JE09	D11
PXCA1	A37	PXVF1211	C11	ZB4BR2	C5	ZC2JE61	D11
PXCB1	A37	PXVF1213	C11	ZB4BR3	C5	ZC2JE62	D11
PXCJ117	D11	PXVF1214	C11	ZB4BR4	C5	ZC2JE63	D11
PXCJ11701	D11	PXVF1215	C11	ZB4BS14	C6	ZC2JE70	D11
PXCJ11705	D11	PXVF1216	C11	ZB4BS24	C6	ZC2JY11	D11
PXCJ127	D11	PZCB2268	E4	ZB4BS54	C6	ZC2JY13	D11
PXCJ12701	D11	PZCM994	E4	ZB4BS64	C6	ZC2JY21	D11
PXCJ12705	D11	PZCM996	E4	ZB4BT2	C5	ZC2JY31	D11
PXCK211	D8	PZCM888	E4	ZB4BT4	C5	ZC2JY41	D11
PXCK21100	D8	PZML199	A11	ZB4BZ009	C9	ZC2JY51	D11
PXCK2110031	D7	PZUA12	A33	ZB5AA2	C5	ZC2JY61	D11
PXCK2110041	D7	PZUB12	A33	ZB5AA3	C5	ZC2JY71	D11
PXCK21101	D7	PZUC12	A33	ZB5AA4	C5	ZC2JY81	D11
PXCK21102	D7	PZUE12	A33	ZB5AL2	C5	ZC2JY91	D11
PXCK21106	D7	ZB2BY2002	C9	ZB5AL3	C5	ZCKD02	D8
PXCK21121	D7	ZB2BZ19	C5	ZB5AL4	C5	ZCKD06	D8
PXCK221	D8	ZB4BA2	C5	ZB5AZ905	C5	ZCKD10	D8
PXCK22100	D8	ZB4BA3	C5	ZB5AZ009	C9	ZCKD21	D8
PXCK2210031	D7	ZB4BA4	C5	ZBE101	C9	ZCKD23	D8
PXCK2210041	D7	ZB4BA5	C5	ZBE102	C9	ZCKG00	D8
PXCK22101	D7	ZB4BA6	C5	ZBY2002	C9	ZCKY11	D8
PXCK22102	D7	ZB4BC2	C5	ZBY2101	C9	ZCKY13	D8

G



Notes

Part Number	Page
ZCKY13.....	D8
ZCKY41.....	D8
ZCKY43.....	D8
ZCKY51.....	D8
ZCKY52.....	D8
ZCKY81.....	D8
ZCKY91.....	D8

Please Note

For ATEX Product Information:

www.parker.com/pneumatic

Click on: Divisions

Click on: Pneumatic Division Europe

Click on: ATEX Products



Safety Guide For Selecting And Using Pneumatic Division Products And Related Accessories

WARNING:

FAILURE OR IMPROPER SELECTION OR IMPROPER USE OF PNEUMATIC DIVISION PRODUCTS, ASSEMBLIES OR RELATED ITEMS (“PRODUCTS”) CAN CAUSE DEATH, PERSONAL INJURY, AND PROPERTY DAMAGE. POSSIBLE CONSEQUENCES OF FAILURE OR IMPROPER SELECTION OR IMPROPER USE OF THESE PRODUCTS INCLUDE BUT ARE NOT LIMITED TO:

- Unintended or mistimed cycling or motion of machine members or failure to cycle
 - Work pieces or component parts being thrown off at high speeds.
 - Failure of a device to function properly for example, failure to clamp or unclamp an associated item or device.
 - Explosion
 - Suddenly moving or falling objects.
 - Release of toxic or otherwise injurious liquids or gasses.
- Before selecting or using any of these Products, it is important that you read and follow the instructions below.

1. GENERAL INSTRUCTIONS

- 1.1. Scope:** This safety guide is designed to cover general guidelines on the installation, use, and maintenance of Pneumatic Division Valves, FRLs (Filters, Pressure Regulators, and Lubricators), Vacuum products and related accessory components.
- 1.2. Fail-Safe:** Valves, FRLs, Vacuum products and their related components can and do fail without warning for many reasons. Design all systems and equipment in a fail-safe mode, so that failure of associated valves, FRLs or Vacuum products will not endanger persons or property.
- 1.3. Relevant International Standards:** For a good guide to the application of a broad spectrum of pneumatic fluid power devices see: ISO 4414:1998, Pneumatic Fluid Power – General Rules Relating to Systems. See www.iso.org for ordering information.
- 1.4. Distribution:** Provide a copy of this safety guide to each person that is responsible for selection, installation, or use of Valves, FRLs or Vacuum products. Do not select, or use Parker valves, FRLs or vacuum products without thoroughly reading and understanding this safety guide as well as the specific Parker publications for the products considered or selected.
- 1.5. User Responsibility:** Due to the wide variety of operating conditions and applications for valves, FRLs, and vacuum products Parker and its distributors do not represent or warrant that any particular valve, FRL or vacuum product is suitable for any specific end use system. This safety guide does not analyze all technical parameters that must be considered in selecting a product. The user, through its own analysis and testing, is solely responsible for:
 - Making the final selection of the appropriate valve, FRL, Vacuum component, or accessory.
 - Assuring that all user's performance, endurance, maintenance, safety, and warning requirements are met and that the application presents no health or safety hazards.
 - Complying with all existing warning labels and / or providing all appropriate health and safety warnings on the equipment on which the valves, FRLs or Vacuum products are used; and,
 - Assuring compliance with all applicable government and industry standards.
- 1.6. Safety Devices:** Safety devices should not be removed, or defeated.
- 1.7. Warning Labels:** Warning labels should not be removed, painted over or otherwise obscured.
- 1.8. Additional Questions:** Call the appropriate Parker technical service department if you have any questions or require any additional information. See the Parker publication for the product being considered or used, or call 1-800-CPARKER, or go to www.parker.com, for telephone numbers of the appropriate technical service department.

2. PRODUCT SELECTION INSTRUCTIONS

- 2.1. Flow Rate:** The flow rate requirements of a system are frequently the primary consideration when designing any pneumatic system. System components need to be able to provide adequate flow and pressure for the desired application.
- 2.2. Pressure Rating:** Never exceed the rated pressure of a product. Consult product labeling, Pneumatic Division catalogs or the instruction sheets supplied for maximum pressure ratings.
- 2.3. Temperature Rating:** Never exceed the temperature rating of a product. Excessive heat can shorten the life expectancy of a product and result in complete product failure.
- 2.4. Environment:** Many environmental conditions can affect the integrity and suitability of a product for a given application. Pneumatic Division products are designed for use in general purpose industrial applications. If these products are to be used in unusual circumstances such as direct sunlight and/or corrosive or caustic environments, such use can shorten the useful life and lead to premature failure of a product.
- 2.5. Lubrication and Compressor Carryover:** Some modern synthetic oils can and will attack nitrile seals. If there is any possibility of synthetic oils or greases migrating into the pneumatic components check for compatibility with the seal materials used. Consult the factory or product literature for materials of construction.
- 2.6. Polycarbonate Bowls and Sight Glasses:** To avoid potential polycarbonate bowl failures:
 - Do not locate polycarbonate bowls or sight glasses in areas where they could be subject to direct sunlight, impact blow, or temperatures outside of the rated range.
 - Do not expose or clean polycarbonate bowls with detergents, chlorinated hydro-carbons, ketones, esters or certain alcohols.
 - Do not use polycarbonate bowls or sight glasses in air systems where compressors are lubricated with fire resistant fluids such as phosphate ester and di-ester lubricants.

Safety Guide

- 2.7. Chemical Compatibility:** For more information on plastic component chemical compatibility see Pneumatic Division technical bulletins Tec-3, Tec-4, and Tec-5
- 2.8. Product Rupture:** Product rupture can cause death, serious personal injury, and property damage.
- Do not connect pressure regulators or other Pneumatic Division products to bottled gas cylinders.
 - Do not exceed the maximum primary pressure rating of any pressure regulator or any system component.
 - Consult product labeling or product literature for pressure rating limitations.

3. PRODUCT ASSEMBLY AND INSTALLATION INSTRUCTIONS

- 3.1. Component Inspection:** Prior to assembly or installation a careful examination of the valves, FRLs or vacuum products must be performed. All components must be checked for correct style, size, and catalog number. DO NOT use any component that displays any signs of nonconformance.
- 3.2. Installation Instructions:** Parker published Installation Instructions must be followed for installation of Parker valves, FRLs and vacuum components. These instructions are provided with every Parker valve or FRL sold, or by calling 1-800-CPARKER, or at www.parker.com.
- 3.3. Air Supply:** The air supply or control medium supplied to Valves, FRLs and Vacuum components must be moisture-free if ambient temperature can drop below freezing

4. VALVE AND FRL MAINTENANCE AND REPLACEMENT INSTRUCTIONS

- 4.1. Maintenance:** Even with proper selection and installation, valve, FRL and vacuum products service life may be significantly reduced without a continuing maintenance program. The severity of the application, risk potential from a component failure, and experience with any known failures in the application or in similar applications should determine the frequency of inspections and the servicing or replacement of Pneumatic Division products so that products are replaced before any failure occurs. A maintenance program must be established and followed by the user and, at minimum, must include instructions 4.2 through 4.10.
- 4.2. Installation and Service Instructions:** Before attempting to service or replace any worn or damaged parts consult the appropriate Service Bulletin for the valve or FRL in question for the appropriate practices to service the unit in question. These Service and Installation Instructions are provided with every Parker valve and FRL sold, or are available by calling 1-800-CPARKER, or by accessing the Parker web site at www.parker.com.
- 4.3. Lockout / Tagout Procedures:** Be sure to follow all required lockout and tagout procedures when servicing equipment. For more information see: OSHA Standard – 29 CFR, Part 1910.147, Appendix A, The Control of Hazardous Energy – (Lockout / Tagout)
- 4.4. Visual Inspection:** Any of the following conditions requires immediate system shut down and replacement of worn or damaged components:
- Air leakage: Look and listen to see if there are any signs of visual damage to any of the components in the system. Leakage is an indication of worn or damaged components.
 - Damaged or degraded components: Look to see if there are any visible signs of wear or component degradation.
 - Kinked, crushed, or damaged hoses. Kinked hoses can result in restricted air flow and lead to unpredictable system behavior.
 - Any observed improper system or component function: Immediately shut down the system and correct malfunction.
 - Excessive dirt build-up: Dirt and clutter can mask potentially hazardous situations.
- Caution: Leak detection solutions should be rinsed off after use.**
- 4.5. Routine Maintenance Issues:**
- Remove excessive dirt, grime and clutter from work areas.
 - Make sure all required guards and shields are in place.
- 4.6. Functional Test:** Before initiating automatic operation, operate the system manually to make sure all required functions operate properly and safely.
- 4.7. Service or Replacement Intervals:** It is the user's responsibility to establish appropriate service intervals. Valves, FRLs and vacuum products contain components that age, harden, wear, and otherwise deteriorate over time. Environmental conditions can significantly accelerate this process. Valves, FRLs and vacuum components need to be serviced or replaced on routine intervals. Service intervals need to be established based on:
- Previous performance experiences.
 - Government and / or industrial standards.
 - When failures could result in unacceptable down time, equipment damage or personal injury risk.
- 4.8. Servicing or Replacing of any Worn or Damaged Parts:** To avoid unpredictable system behavior that can cause death, personal injury and property damage:
- Follow all government, state and local safety and servicing practices prior to service including but not limited to all OSHA Lockout Tagout procedures (OSHA Standard – 29 CFR, Part 1910.147, Appendix A, The Control of Hazardous Energy – Lockout / Tagout).
 - Disconnect electrical supply (when necessary) before installation, servicing, or conversion.
 - Disconnect air supply and depressurize all air lines connected to system and Pneumatic Division products before installation, service, or conversion.
 - Installation, servicing, and / or conversion of these products must be performed by knowledgeable personnel who understand how pneumatic products are to be applied.
 - After installation, servicing, or conversions air and electrical supplies (when necessary) should be connected and the product tested for proper function and leakage. If audible leakage is present, or if the product does not operate properly, do not put product or system into use.
 - Warnings and specifications on the product should not be covered or painted over. If masking is not possible, contact your local representative for replacement labels.
- 4.9. Putting Serviced System Back into Operation:** Follow the guidelines above and all relevant Installation and Maintenance Instructions supplied with the valve FRL or vacuum component to insure proper function of the system.

Offer of Sale

The goods, services or work (referred to as the "Products") offered by **Parker-Hannifin Corporation**, its subsidiaries, groups, divisions, and authorized distributors ("Seller") are offered for sale at prices indicated in the offer, or as may be established by Seller. The offer to sell the Products and acceptance of Seller's offer by any customer ("Buyer") is contingent upon, and will be governed by all of the terms and conditions contained in this Offer of Sale. Buyer's order for any Products specified in Buyer's purchase document or Seller's offer, proposal or quote ("Quote") attached to the purchase order, when communicated to Seller verbally, or in writing, shall constitute acceptance of this offer.

1. Terms and Conditions. Seller's willingness to offer Products for sale or accept an order for Products is subject to the terms and conditions contained in this Offer of Sale or any newer version of the same, published by Seller electronically at www.parker.com/saleterms/. Seller objects to any contrary or additional terms or conditions of Buyer's order or any other document or other communication issued by Buyer.

2. Price; Payment. Prices stated on Seller's Quote are valid for thirty (30) days, except as explicitly otherwise stated therein, and do not include any sales, use, or other taxes or duties unless specifically stated. Seller reserves the right to modify prices to adjust for any raw material price fluctuations. Unless otherwise specified by Seller, all prices are F.C.A. Seller's facility (INCOTERMS 2010). Payment is subject to credit approval and payment for all purchases is due thirty (30) days from the date of invoice (or such date as may be specified by Seller's Credit Department). Unpaid invoices beyond the specified payment date incur interest at the rate of 1.5% per month or the maximum allowable rate under applicable law.

3. Shipment; Delivery; Title and Risk of Loss. All delivery dates are approximate. Seller is not responsible for damages resulting from any delay. Regardless of the manner of shipment, delivery occurs and title and risk of loss or damage pass to Buyer, upon placement of the Products with the shipment carrier at Seller's facility. Unless otherwise stated, Seller may exercise its judgment in choosing the carrier and means of delivery. No deferment of shipment at Buyers' request beyond the respective dates indicated will be made except on terms that will indemnify, defend and hold Seller harmless against all loss and additional expense. Buyer shall be responsible for any additional shipping charges incurred by Seller due to Buyer's acts or omissions.

4. Warranty. Seller warrants that the Products sold hereunder shall be free from defects in material or workmanship for a period of twelve (12) months from the date of delivery or 2,000 hours of normal use, whichever occurs first. All prices are based upon the exclusive limited warranty stated above, and upon the following disclaimer: **DISCLAIMER OF WARRANTY: THIS WARRANTY IS THE SOLE AND ENTIRE WARRANTY PERTAINING TO PRODUCTS PROVIDED. SELLER DISCLAIMS ALL OTHER WARRANTIES, EXPRESS AND IMPLIED, INCLUDING DESIGN, MERCHANTABILITY AND FITNESS FOR A PARTICULAR PURPOSE.**

5. Claims; Commencement of Actions. Buyer shall promptly inspect all Products upon receipt. No claims for shortages will be allowed unless reported to the Seller within ten (10) days of delivery. No other claims against Seller will be allowed unless asserted in writing within thirty (30) days after delivery. Buyer shall notify Seller of any alleged breach of warranty within thirty (30) days after the date the defect is or should have been discovered by Buyer. Any claim or action against Seller based upon breach of contract or any other theory, including tort, negligence, or otherwise must be commenced within twelve (12) months from the date of the alleged breach or other alleged event, without regard to the date of discovery.

6. LIMITATION OF LIABILITY. IN THE EVENT OF A BREACH OF WARRANTY, SELLER WILL, AT ITS OPTION, REPAIR OR REPLACE A DEFECTIVE PRODUCT, OR REFUND THE PURCHASE PRICE WITHIN A REASONABLE PERIOD OF TIME. **IN NO EVENT IS SELLER LIABLE FOR ANY SPECIAL, INDIRECT, INCIDENTAL OR CONSEQUENTIAL DAMAGES ARISING OUT OF, OR AS THE RESULT OF, THE SALE, DELIVERY, NON-DELIVERY, SERVICING, USE OR LOSS OF USE OF THE PRODUCTS OR ANY PART THEREOF, OR FOR ANY CHARGES OR EXPENSES OF ANY NATURE INCURRED WITHOUT SELLER'S WRITTEN CONSENT, WHETHER BASED IN CONTRACT, TORT OR OTHER LEGAL THEORY. IN NO EVENT SHALL SELLER'S LIABILITY UNDER ANY CLAIM MADE BY BUYER EXCEED THE PURCHASE PRICE OF THE PRODUCTS.**

7. User Responsibility. The user, through its own analysis and testing, is solely responsible for making the final selection of the system and Product and assuring that all performance, endurance, maintenance, safety and warning requirements of the application are met. The user must analyze all aspects of the application and follow applicable industry standards and Product information. If Seller provides Product or system options based upon data or specifications provided by the user, the user is responsible for determining that such data and specifications are suitable and sufficient for all applications and reasonably foreseeable uses of the Products or systems.

8. Loss to Buyer's Property. Any designs, tools, patterns, materials, drawings, confidential information or equipment furnished by Buyer or any other items which become Buyer's property, will be considered obsolete and may be destroyed by Seller after two (2) consecutive years have elapsed without Buyer ordering the items manufactured using such property. Seller shall not be responsible for any loss or damage to such property while it is in Seller's possession or control.

9. Special Tooling. A tooling charge may be imposed for any special tooling, including without limitation, dies, fixtures, molds and patterns, acquired to manufacture Products. Such special tooling shall be and remain Seller's property notwithstanding payment of any charges by Buyer. In no event will Buyer acquire any interest in apparatus belonging to Seller which is utilized in the manufacture of the Products, even if such apparatus has been specially converted or adapted for such manufacture and notwithstanding any charges paid by Buyer. Unless otherwise agreed, Seller has the right to alter, discard or otherwise dispose of any special tooling or other property in its sole discretion at any time.

10. Buyer's Obligation; Rights of Seller. To secure payment of all sums due or otherwise, Seller retains a security interest in all Products delivered to Buyer and this agreement is deemed to be a Security Agreement under the Uniform Commercial Code. Buyer authorizes Seller as its attorney to execute and file on Buyer's behalf all documents Seller deems necessary to perfect its security interest.

11. Improper Use and Indemnity. Buyer shall indemnify, defend, and hold Seller harmless from any losses, claims, liabilities, damages, lawsuits, judgments and costs

(including attorney fees and defense costs), whether for personal injury, property damage, patent, trademark or copyright infringement or any other claim, brought by or incurred by Buyer, Buyer's employees, or any other person, arising out of: (a) improper selection, application, design, specification or other misuse of Products purchased by Buyer from Seller; (b) any act or omission, negligent or otherwise, of Buyer; (c) Seller's use of patterns, plans, drawings, or specifications furnished by Buyer to manufacture Products; or (d) Buyer's failure to comply with these terms and conditions. Seller shall not indemnify Buyer under any circumstance except as otherwise provided.

12. Cancellations and Changes. Buyer may not cancel or modify or cancel any order for any reason, except with Seller's written consent and upon terms that will indemnify, defend and hold Seller harmless against all direct, incidental and consequential loss or damage. Seller may change Product features, specifications, designs and availability.

13. Limitation on Assignment. Buyer may not assign its rights or obligations under this agreement without the prior written consent of Seller.

14. Force Majeure. Seller does not assume the risk and is not liable for delay or failure to perform any of Seller's obligations by reason of events or circumstances beyond its reasonable control (hereinafter "Events of Force Majeure"). Events of Force Majeure shall include without limitation: accidents, strikes or labor disputes, acts of any government or government agency, acts of nature, delays or failures in delivery from carriers or suppliers, shortages of materials, or any other cause beyond Seller's reasonable control.

15. Waiver and Severability. Failure to enforce any provision of this agreement will not invalidate that provision; nor will any such failure prejudice Seller's right to enforce that provision in the future. Invalidation of any provision of this agreement by legislation or other rule of law shall not invalidate any other provision herein. The remaining provisions of this agreement will remain in full force and effect.

16. Termination. Seller may terminate this agreement for any reason and at any time by giving Buyer thirty (30) days prior written notice. Seller may immediately terminate this agreement, in writing, if Buyer: (a) breaches any provision of this agreement (b) appoints a trustee, receiver or custodian for all or any part of Buyer's property (c) files a petition for relief in bankruptcy on its own behalf, or one if filed by a third party (d) makes an assignment for the benefit of creditors; or (e) dissolves its business or liquidates all or a majority of its assets.

17. Governing Law. This agreement and the sale and delivery of all Products are deemed to have taken place in, and shall be governed and construed in accordance with, the laws of the State of Ohio, as applicable to contracts executed and wholly performed therein and without regard to conflicts of laws principles. Buyer irrevocably agrees and consents to the exclusive jurisdiction and venue of the courts of Cuyahoga County, Ohio with respect to any dispute, controversy or claim arising out of or relating to this agreement.

18. Indemnity for Infringement of Intellectual Property Rights. Seller is not liable for infringement of any patents, trademarks, copyrights, trade dress, trade secrets or similar rights except as provided in this Section. Seller will defend and indemnify Buyer against allegations of infringement of U.S. patents, U.S. trademarks, copyrights, trade dress and trade secrets ("Intellectual Property Rights"). Seller will defend at its expense and will pay the cost of any settlement or damages awarded in an action brought against Buyer based on an allegation that a Product sold pursuant to this agreement infringes the Intellectual Property Rights of a third party. Seller's obligation to defend and indemnify Buyer is contingent on Buyer notifying Seller within ten (10) days after Buyer becomes aware of such allegations of infringement, and Seller having sole control over the defense of any allegations or actions including all negotiations for settlement or compromise. If a Product is subject to a claim that it infringes the Intellectual Property Rights of a third party, Seller may, at its sole expense and option, procure for Buyer the right to continue using the Product, replace or modify the Product so as to make it noninfringing, or offer to accept return of the Product and refund the purchase price less a reasonable allowance for depreciation. Notwithstanding the foregoing, Seller is not liable for claims of infringement based on information provided by Buyer, or directed to Products delivered hereunder for which the designs are specified in whole or part by Buyer, or infringements resulting from the modification, combination or use in a system of any Product sold hereunder. The foregoing provisions of this Section constitute Seller's sole and exclusive liability and Buyer's sole and exclusive remedy for infringement of Intellectual Property Rights.

19. Entire Agreement. This agreement contains the entire agreement between the Buyer and Seller and constitutes the final, complete and exclusive expression of the terms of sale. All prior or contemporaneous written or oral agreements or negotiations with respect to the subject matter are herein merged. The terms contained herein may not be modified unless in writing and signed by an authorized representative of Seller.

20. Compliance with Laws. Buyer agrees to comply with all applicable laws, regulations, and industry and professional standards of care, including those of the United Kingdom, the United States of America, and the country or countries in which Buyer may operate, including without limitation the U. K. Bribery Act, the U.S. Foreign Corrupt Practices Act ("FCPA"), the U.S. Anti-Kickback Act ("Anti-Kickback Act") and the U.S. Food Drug and Cosmetic Act ("FDCA"), each as currently amended, and the rules and regulations promulgated by the U.S. Food and Drug Administration ("FDA"), and agrees to indemnify and hold harmless Seller from the consequences of any violation of such provisions by Buyer, its employees or agents. Buyer acknowledges that it is familiar with the provisions of the U. K. Bribery Act, the FCPA, the FDA, and the Anti-Kickback Act, and certifies that Buyer will adhere to the requirements thereof. In particular, Buyer represents and agrees that Buyer will not make any payment or give anything of value, directly or indirectly to any governmental official, any foreign political party or official thereof, any candidate for foreign political office, or any commercial entity or person, for the purpose of influencing such person to purchase Products or otherwise benefit the business of Seller.

05/14

G



Extensive Automation Solutions

Linear Actuators



Aluminum and steel piston rodless cylinders, and short stroke thrusters from the industry leader.

www.parker.com/pneu/linear

Air Control Valves



Valve technology that meets the most demanding requirements in any industrial application.

www.parker.com/pneu/valve

Air Preparation



Parker, the industry leader in air preparation, offers a complete line of products to ensure clean, dry, oil-free air.

www.parker.com/pneu/airprep

Connectors and Tubing



The most complete line of fluid connectors worldwide will meet virtually any automation application.

www.parker.com/pneu/fc

Rotary Actuators



Industry leader in the design and manufacture of pneumatic rack and pinion, and vane style rotary actuators.

www.parker.com/pneu/rotary

Vacuum Products and Sensors



Vacuum solutions include a broad range of generators (integrated / inline), cups, and pressure sensors.

www.parker.com/pneu/vacsen

Grippers



Parallel, angular, and three jaw grippers are available in over 1,000 configurations.

www.parker.com/pneu/gripper

Airline Accessories



Airline accessories include silencers, flow controls, and mufflers to round out Parker's pneumatic solution.

www.parker.com/pneu/access

Electric Actuators



Screw, belt-driven, and linear motor actuators for the complete range of industrial applications, offering precise motion and flexibility.

www.parker.com/em/linear

Motors and Drives



Built using industry standard interfaces and market-leading features that combine great value and performance.

www.parker.com/em/motordrive

HMI and Controllers



Superior integration and support for machine control as well as HMI hardware and software.

www.parker.com/em/hmicont

Parker IPS Structural Automation



More than 150 metric and inch profiles, integral motion components, and accessories for unlimited and flexible configurations. Pre-machined kits or complete assemblies.

www.parker.com/ips

Covering Electromechanical and Pneumatic markets, each of our catalogs is paired with an interactive CD. Call for your comprehensive guides today. 1-800-CParker



Electromechanical Precision Bulletin
AU01-5000/US

Electromechanical Industrial Bulletin
AU01-7500/US

Pneumatic Bulletin
AU01-1000/US

