



TQ 401 / EA 401 / IQS 450

Proximity measuring system

FEATURES

- » From the Vibro-Meter® product line
- » Non-contact measurement system based on eddy current principle
- » Certified for use in potentially explosive atmospheres
- » 5 m and 10 m systems
- » Temperature compensated system
- » Voltage or current output with protection against short circuits
- » Frequency response:
DC to 20 kHz (-3 dB)
- » Measuring range:
2 mm
- » Temperature range:
-40 to +180 °C



IQS 450



DESCRIPTION

This proximity system allows contactless measurement of the relative displacement of moving machine elements. It is particularly suitable for measuring the relative vibration and axial position of rotating machine shafts, such as those found in steam, gas and hydraulic turbines, as well as in alternators, turbo-compressors and pumps.

The system is based around a TQ 401 non-contact transducer and an IQS 450 signal conditioner. Together, these form a calibrated proximity system in which each component is interchangeable. The system outputs a voltage or current proportional to the distance between the transducer tip and the target, such as a machine shaft.



Information contained in this document may be subject to Export Control Regulations of the European Union, USA or other countries. Each recipient of this document is responsible for ensuring that transfer or use of any information contained in this document complies with all relevant Export Control Regulations. ECN N/A.

DESCRIPTION *(continued)*

The active part of the transducer is a coil of wire that is moulded inside the tip of the device, made of Torlon® (polyamide-imide). The transducer body is made of stainless steel. The target material must, in all cases, be metallic.

The transducer body is available with metric or imperial thread. The TQ 401 has an integral coaxial cable, terminated with a self-locking miniature coaxial connector. Various cable lengths (integral and extension) may be ordered.

The IQS 450 signal conditioner contains a high-frequency modulator/demodulator that supplies a driving signal to the transducer. This generates the

necessary electro-magnetic field used to measure the gap. The conditioner circuitry is made of high-quality components and is mounted in an aluminium extrusion.

The TQ 401 transducer can be matched with a single EA 401 extension cable to effectively lengthen the front-end. Optional junction boxes, housings and connector protectors are available for the environmental and mechanical protection of the connection between the integral and extension cables.

The proximity system can be powered by associated signal processing modules (for example, VM600 cards) or a rack power supply.

SPECIFICATIONS

Overall proximity system

Operation

Sensitivity

- *Ordering option B11* : 8 mV/μm (200 mV/mil)
- *Ordering option B12* : 2.5 μA/μm (62.5 μA/mil)

Linear measuring range (typical)

- *Ordering option B11* : 0.2 to 2.2 mm, corresponding to a -1.6 to -17.6 V output
- *Ordering option B12* : 0.2 to 2.2 mm, corresponding to a 15.5 to 20.5 mA output

Linearity : See Performance curves on page 4

Frequency response : DC to 20 kHz (-3 dB)

Interchangeability of elements : All components in system are interchangeable

Environmental – explosive atmospheres

Available in Ex approved versions for use in hazardous locations

Type of protection Ex i: intrinsic safety		
Europe	EC type examination certificate	LCIE 11 ATEX 3091 X II 1G (Zones 0, 1, 2) Ex ia IIC T6 to T3 Ga
International	IECEx certificate of conformity	IECEx LCI 11.0061X Ex ia IIC T6 to T3 Ga
North America	CSA certificate of compliance	Pending

SPECIFICATIONS (continued)

Type of protection Ex nA: non-sparking apparatus		
Europe	Voluntary type examination certificate	LCIE 11 ATEX 1010 X II 3G (Zone 2) Ex nA II T6 to T3 Gc
International	IECEX certificate of conformity	IECEX LCI 11.0063X Ex nA II T6 to T3 Gc

 **For specific parameters of the mode of protection concerned and special conditions for safe use, please refer to the certificates that are available from Meggitt SA on demand.**

System calibration

Calibration temperature : +23°C ± 5°C
Target material : VCL 140 steel (1.7225)

Note: If special calibration is required, please define the alloy precisely or supply a sample of alloy (min. Ø30 mm / 1 cm thick) according to Meggitt Sensing Systems' drawing number PZ 7009/1.

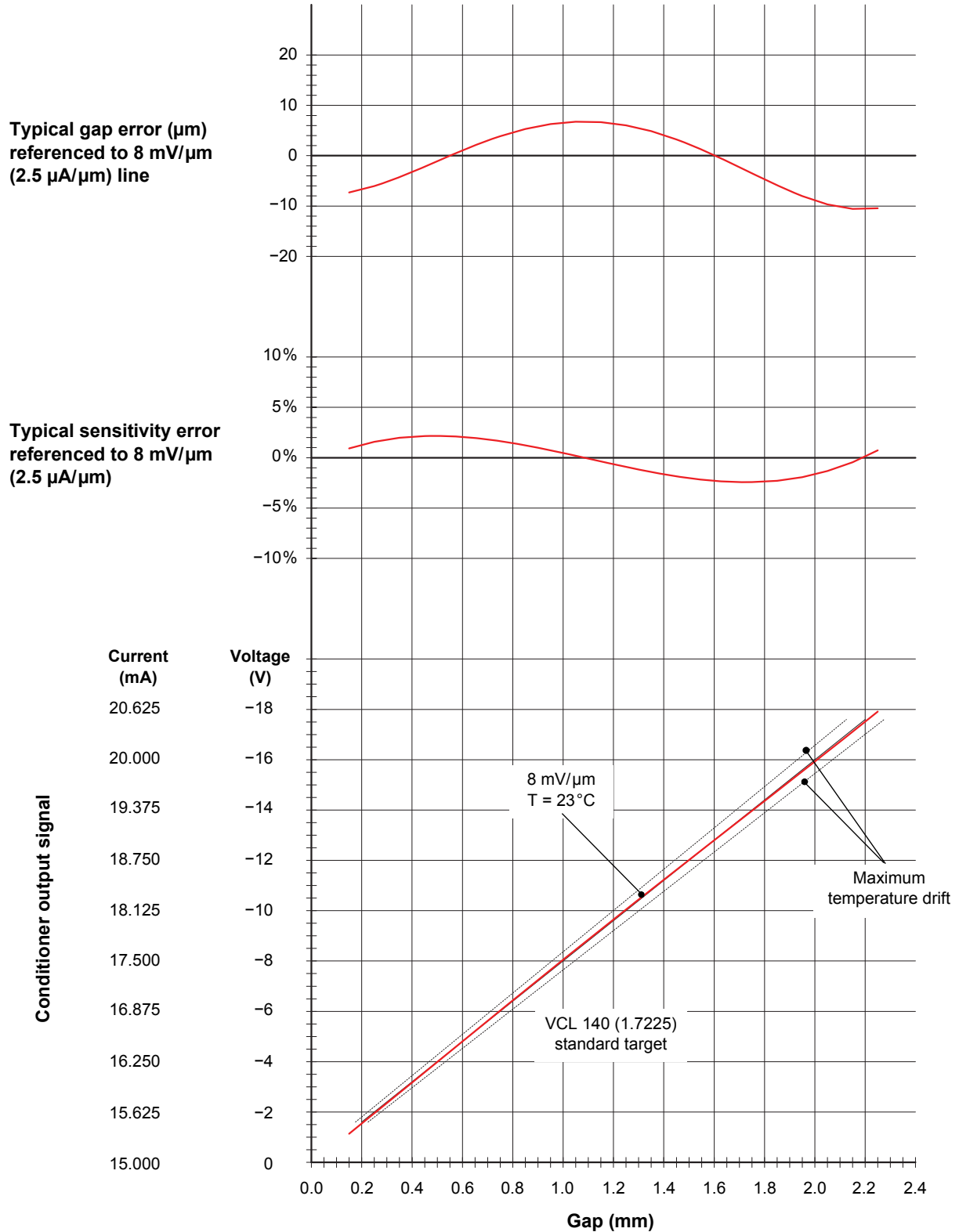
Total system length (TSL)

Due to the characteristics of the coaxial cable, an "electrical trimming" of the nominal length of the integral and extension cables is necessary to optimize the system performance and the transducer interchangeability.

TSL for a 5 m chain : 4.4 m minimum
TSL for a 10 m chain : 8.5 m minimum

SPECIFICATIONS (continued)

Performance curves for TQ 401 with IQS 450



Proximity transducer: TQ 401
 Signal conditioner: IQS 450
 Standard target material: VCL 140 (1.7225)
 Equivalent materials: A 37.11 (1.0065), AFNOR 40 CD4, AISI 4140

SPECIFICATIONS *(continued)***TQ 401 proximity transducer****General**

Transducer input requirements : High-frequency power source from an IQS 450 signal conditioner

Environmental

Temperature ranges

- *Transducer* : -40 to +180°C with drift < 5% (operation).
+180 to +220°C with drift > 5% (short-term survival).
- *Cable* : -100 to +200°C
- *Transducer and cable* : **-100 to +195°C if used in Ex zone**
- *Connector* : -65 to +180°C
- *Heat-shrinkable sleeve (modified Polyolefin)* : -55 to +135°C

Protection rating (according to IEC 60529 and DIN 40050)

: The entire transducer assembly is rated IP68 (transducer tip, integral cable and self-locking miniature coaxial connector, including all joins)

Transducer construction

: Wire coil Ø5 mm, Torlon (polyamide-imide) tip, encapsulated in stainless steel body (AISI 316L) with high-temperature epoxy glue

Integral cable

: FEP covered 50 Ω coaxial cable, Ø2.65 mm

- *Option*

: Flexible stainless steel protection tube.
Note: The protection tube is not leak-tight and the heat-shrinkable sleeve is splash-proof only.

Connector

: Self-locking miniature coaxial connector.
Note: When connecting, this should be hand-tightened only.

SPECIFICATIONS (continued)

IQS 450 signal conditioner

Output characteristics

Voltage output, 3-wire configuration

- *Voltage at min. GAP* : -1.6 V
- *Voltage at max. GAP* : -17.6 V
- *Dynamic range* : 16 V
- *Output impedance* : 500 Ω
- *Short-circuit current* : 45 mA

Current output, 2-wire configuration

- *Current at min. GAP* : 15.5 mA
 - *Current at max. GAP* : 20.5 mA
 - *Dynamic range* : 5 mA
- Output capacitance : 1 nF
Output inductance : 100 μ H

Supply

Voltage output, 3-wire configuration

- *Voltage* : -20 V to -32 V*
- *Current* : 13 \pm 1 mA (25 mA max.)

Current output, 2-wire configuration

- *Voltage* : -20 V to -32 V*
- *Current* : 15.5 to 20.5 mA

Supply input capacitance : 1 nF

Supply input inductance : 100 μ H

Environmental

Temperature range

- *Operation* : -35 to +85 °C*.
0 to +70 °C if used in an Ex zone.
- *Storage* : -40 to +85 °C

Humidity

- *Operation and storage* : Max. 95% non condensing.
100% condensing (not submerged).

Vibration

- *Operation and storage* : 2 g peak between 10 Hz and 500 Hz
- Protection rating : IP40

*See Thermal considerations on page 7.

SPECIFICATIONS *(continued)*

Physical characteristics

Construction material : Injection moulded aluminium

Electrical connections

Input : Self-locking miniature coaxial connector

Output and power : Screw terminal strip

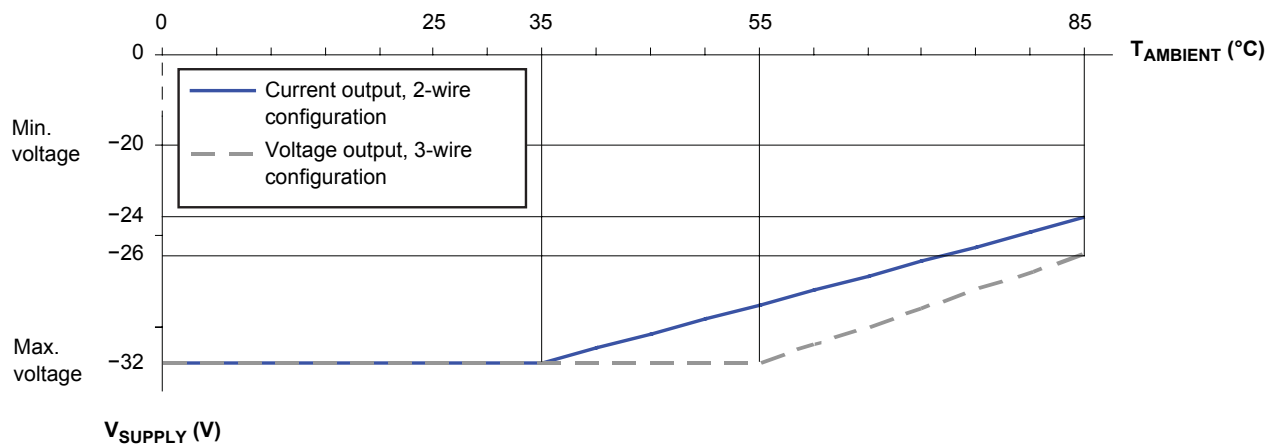
Weight

Standard version : 140 g (approximately)

Ex version : 220 g (approximately)

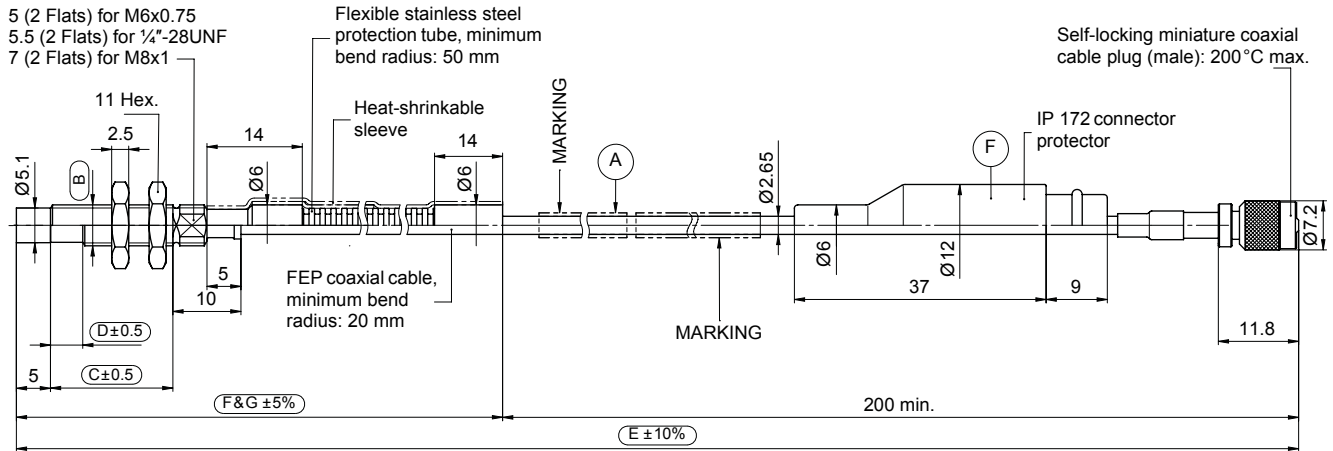
Thermal considerations

The IQS 450 signal conditioner will operate at ambient temperatures as high as 85°C, but to do so, it requires derating of the maximum input voltage. The IQS 450 must operate between the minimum supply voltage and the maximum supply voltage, as shown on the following graph.



MECHANICAL DRAWINGS AND ORDERING INFORMATION

TQ 401 proximity transducer



Ordering number:

111 - 401 - 000 - 013



Environment (A)	
Standard	1
Explosive Ex i	2
Explosive Ex nA	3

Body thread (B)	
M6 x 0.75	1
M8 x 1	2
1/4"-28UNF	6

Body length (C)	
Each 1 mm, from 18 to 250 mm	
18 mm min.	018
250 mm max.	250

Unthreaded length (D)	
Each 1 mm, from 0 to 60 mm	
0 mm min.	000
60 mm max.	060

Integral cable (E)	
0.5 m	005
1.0 m	010
1.5 m	015
2.0 m	020
5.0 m	050

Total system length (H)	
05	5 m
10	10 m

Flexible protection tube (G)	
Each 0.1 m, from 0.0 to 10.0 m	
000	None
001	0.1 m min.
048	4.8 m max.

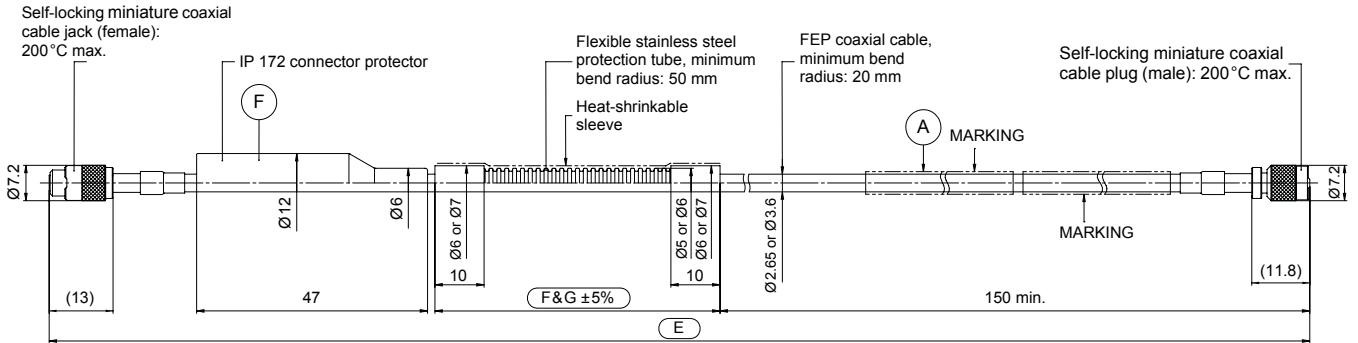
Cable protection (F)		
	Cable	Connector
0	None	None
1	Flexible protection tube	None
2	Flexible protection tube with sleeve	None
3	Movable flexible protection tube	None
4	Movable flexible protection tube with sleeve	None
5	None	IP 172
6	Flexible protection tube	IP 172
7	Flexible protection tube with sleeve	IP 172
8	Movable flexible protection tube	IP 172
9	Movable flexible protection tube with sleeve	IP 172

Notes

All dimensions are in mm unless otherwise stated.
The total system length (dimension "H") is the sum of the lengths of the integral cable and the extension cable.
For details on cable length tolerances, Total system length (TSL) on page 3.

MECHANICAL DRAWINGS AND ORDERING INFORMATION (continued)

EA 401 extension cable



Ordering number: 913 - 401 - 000 - 013 - A - E - F - G

Environment (A)	
Standard	1
Explosive Ex i	2
Explosive Ex nA	3

Integral cable (E)		
Ø2.65	3.0 m ± 150 mm	030
	3.5 m ± 150 mm	035
	4.0 m ± 150 mm	040
	4.5 m ± 150 mm	045
Ø3.6	8.0 m ± 300 mm	080
	8.5 m ± 300 mm	085
	9.0 m ± 350 mm	090
	9.5 m ± 350 mm	095

Cable protection (F)		
Cable	Connector	
None	None	0
Flexible protection tube	None	3
Flexible protection tube with sleeve	None	4
None	IP 172	5
Flexible protection tube	IP 172	8
Flexible protection tube with sleeve	IP 172	9

Flexible protection tube (G)	
Each 0.1 m, from 0 to 9.3 m	
000	None
001	0.1 m min.
093	10.0 m max.

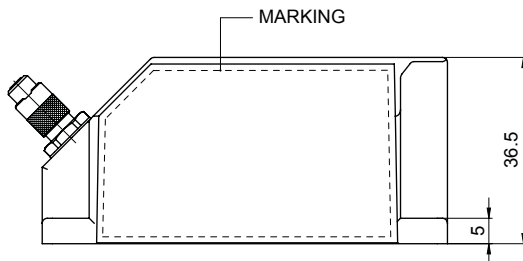
Notes

All dimensions are in mm unless otherwise stated.
For details on cable length tolerances, see Total system length (TSL) on page 3.

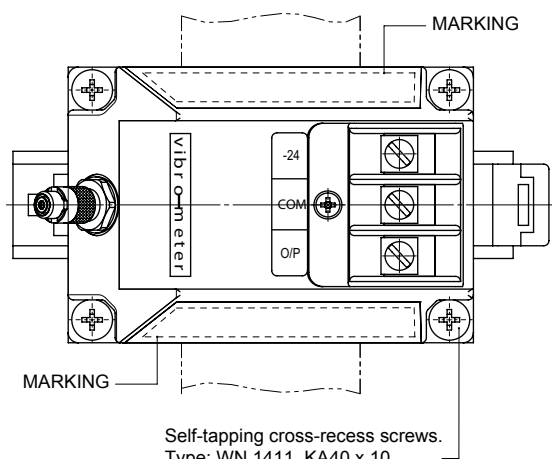
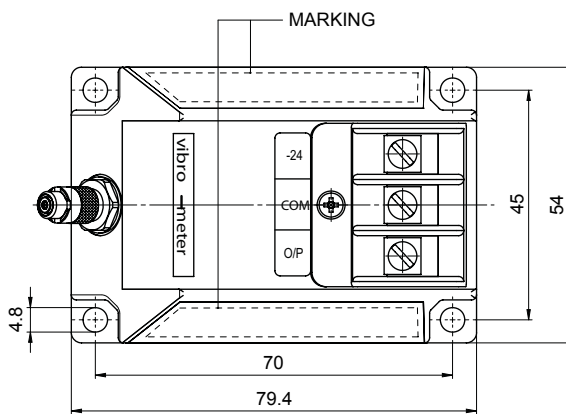
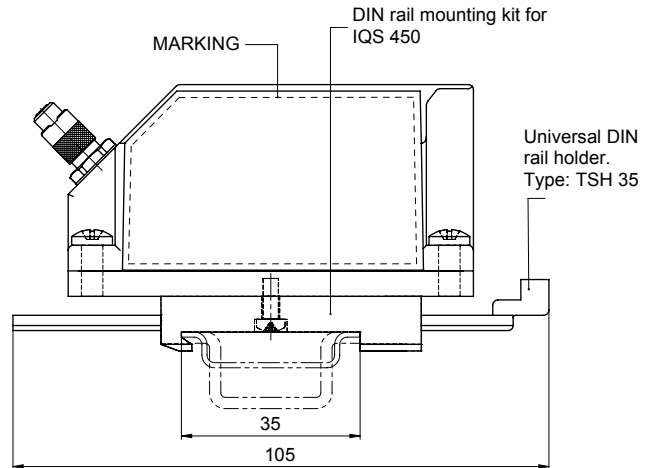
MECHANICAL DRAWINGS AND ORDERING INFORMATION (continued)

IQS 450 signal conditioner

Ordering option I0



Ordering option I1



Note: All dimensions are in mm unless otherwise stated.

Self-tapping cross-recess screws.
Type: WN 1411, KA40 x 10.
Mounting torque: 0.4 N·m.

Ordering number: 204 - 450 - 000 - 002 - A - B - H - I

Environment (A)	
Standard	1
Explosive Ex i	2
Explosive Ex nA	3

Installation (I)	
0	Signal conditioner only
1	Signal conditioner assembled on mounting adaptor

Measuring range	Sensitivity (B)	
	2 mm	8 mV/μm
	2.5 μA/μm	12

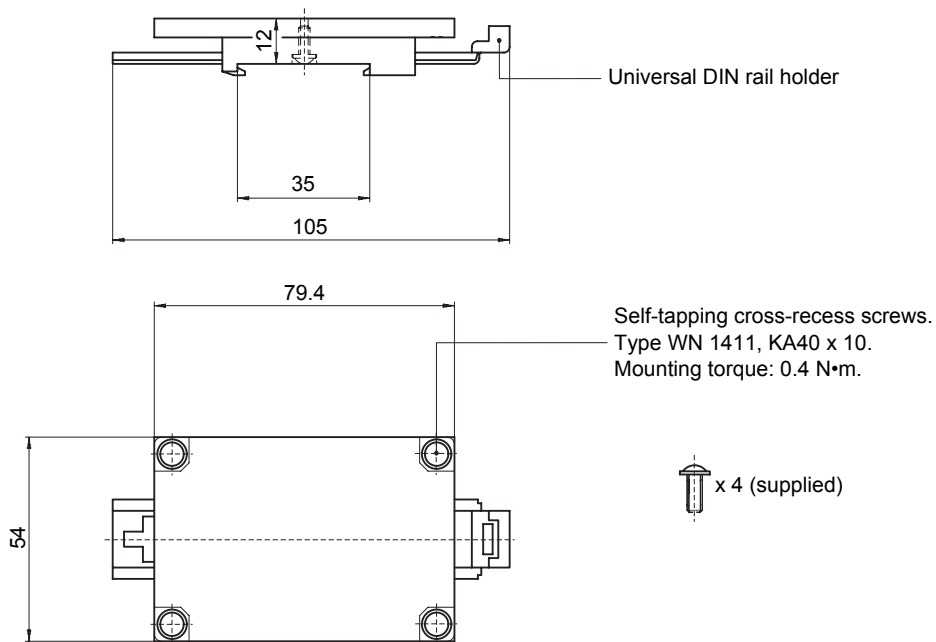
Total system length (H)	
05	5 m
10	10 m

MOUNTING ACCESSORIES

ABA 15x	Industrial housing	: Refer to corresponding data sheet
IP 172 KIT	Connector protector kit	: Refer to corresponding data sheet (pending)
JB 118	Junction box	: Refer to corresponding data sheet
KS 107	Flexible conduit	: Refer to corresponding data sheet
MA 130	Mounting adaptor	: See below
SG 101	Cable feedthrough	: Refer to corresponding data sheet
SG 164	Cable feedthrough	: Refer to corresponding data sheet

MA 130 mounting adaptor

Mechanical drawing



Note: All dimensions are in mm unless otherwise stated.

Ordering number : 809-130-000-011

Headquartered in the UK, Meggitt PLC is a global engineering group specializing in extreme environment components and smart sub-systems for aerospace, defence and energy markets.

Meggitt Sensing Systems is the operating division of Meggitt specializing in sensing and monitoring systems, which has operated through its antecedents since 1927 under the names of ECET, Endeeco, Ferroperm Piezoceramics, Lodge Ignition, Sensorex, Vibro-Meter and Wilcoxon Research. Today, these operations are integrated under one strategic business unit called Meggitt Sensing Systems, headquartered in Switzerland and providing complete systems, using these renowned brands, from a single supply base.

The Meggitt Sensing Systems facility in Fribourg, Switzerland was formerly known as Vibro-Meter SA, but is now Meggitt SA. This site produces a wide range of vibration and dynamic pressure sensors capable of operation in extreme environments, leading-edge microwave sensors, electronics monitoring systems and innovative software for aerospace and land-based turbo-machinery.



All statements, technical information, drawings, performance rates and descriptions in this document, whilst stated in good faith, are issued for the sole purpose of giving an approximate indication of the products described in them, and are not binding on Meggitt SA unless expressly agreed in writing. Before acquiring this product, you must evaluate it and determine if it is suitable for your intended application. Unless otherwise expressly agreed in writing with Meggitt SA, you assume all risks and liability associated with its use. Any recommendations and advice given without charge, whilst given in good faith, are not binding on Meggitt SA.

Meggitt Sensing Systems takes no responsibility for any statements related to the product which are not contained in a current Meggitt Sensing Systems publication, nor for any statements contained in extracts, summaries, translations or any other documents not authored by Meggitt Sensing Systems. We reserve the right to alter any part of this publication without prior notice.

In this publication, a dot (.) is used as the decimal separator and thousands are separated by thin spaces. Example: 12345.67890.

Sales offices

Your local agent

Head office

Meggitt Sensing Systems has offices in more than 30 countries. For a complete list, please visit our website.

Meggitt SA
Route de Moncor 4
PO Box 1616
CH - 1701 Fribourg
Switzerland

Tel: +41 26 407 11 11
Fax: +41 26 407 13 01

www.meggittsensingystems.com
www.vibro-meter.com

