

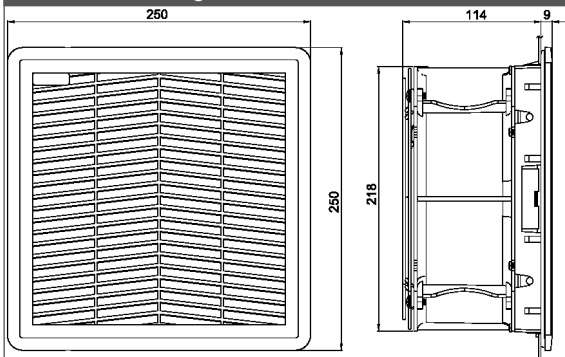
"FPF15KG 130" SERIES FAN FILTER

Description: **Fan Filter 115/230 Va.c.**

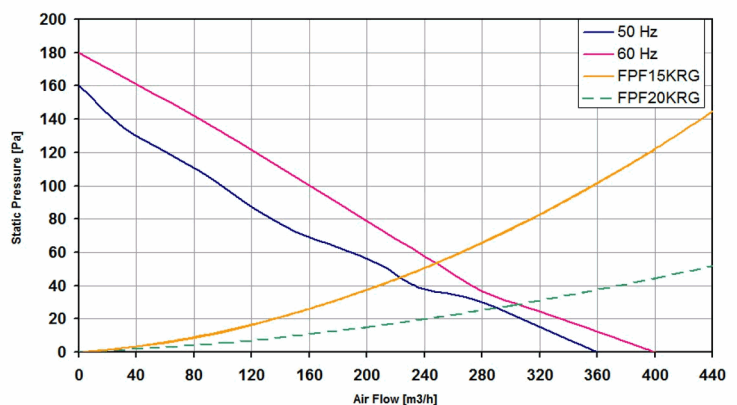
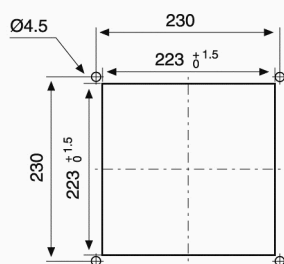


Type of material: ABS/PC alloy
Standard color: RAL 7032, RAL 7035 and RAL 9005 - other colors on request
Protection degree: IP54, according to EN 60529 Std Type 12, according to UL 508 Std
Fixing system: by elastic hooks, otherwise by four 4.8 mm self-threading screws
Plate thickness: from 1.5 mm to 2.2 mm
Storage temperature: from -30°C to +70°C
Motor Lifetime L10 at 40°C (approx.): 50,000 h
Working class of capacitor: class B
Motor protection: thermal
Electrical connection: by terminal block 3 poles L-N-PE
Earth connection: (by terminal block, PE pole)
Appliance class: Class I
Type of filter media: thermo-linked progressive structure synthetic fibre
Filtering class: class G3, according to EN 779
Degree of separation: 85% - DIN 24185
Dust retention capacity: 600 g/m²
Note: filter media is washable for about 10 times
Weight: 3.5 kg
Approvals: CE, UL E237844

technical drawing



mounting cut-out



Model	Voltage (V)	Frequency (Hz)	Rated Current (A)	Rated Power (W)	Max Air Flow** (m ³ /h)	Static Pressure (Pa)	Fan Noise [db(A)]	Rated Temp. Range (°C)	Approvals
FPF15KGR115BE-130	115 V a.c.	50/60	0.60/0.65	58/70	360/400	160/180	66,0/69,2	-10 + +70	CE; cURus
FPF15KGR230BE-130	230 V a.c.	50/60	0.320/0.380	70/85	360/400	160/180	63.3/68.1	-10 + +70	CE; cURus

**data with uncertainty of 15%

All specifications, data and drawing are subject to change without notice and are approximate. Please refer to our terms of sales including our warranty and limited liabilities clauses.