



- NSF 61/372 approved
- FKM or EPDM seal
- Brass or stainless steel body
- Slip over coil technology
- 1/8" to 1" NPT

Burkert introduces 3 different types of NSF approved solenoid valves in various process connections, orifices and body materials to accommodate multiple applications where a valve is required to control drinking water. Example of applications: food service, coffee machines, beverage dispensers, Filtration, automatic or touchless faucets, dental cleaning machines and many others.



Type 6011 - Direct-acting 2/2 way plunger valve

- NSF 61/372 approved
- High cycle rate
- Direct acting miniature valve
- Up to 305 PSI
- 2 way N/C
- Slip over coil technology
- 1/8" NPT
- 100% duty cycle
- IP 65 with cable plug
- EPDM or FKM seal
- Stainless steel housing

Type 6013 - Direct-acting 2/2 way plunger valve

- NSF 61/372 approved
- High cycling rate
- Direct-acting
- Up to 363 PSI
- 2 way N/C
- Slip over coil technology
- 1/8", 1/4" NPT
- 100% duty cycle
- IP 65 with cable plug
- EPDM or FKM seals
- Stainless steel housing

Type 6213 - Servo-assisted 2/2 way diaphragm valve


- NSF 61/372 approved
- Water hammer-free, low noise
- Spring coupled diaphragm system
- 0 to 145 PSI
- 2 way N/C
- Slip over coil technology
- 3/8" to 1" NPT
- 100% continuous rating duty cycle
- IP 65 with cable plug
- EPDM seals
- Stainless steel or lead free brass housing

6011 2/2-Way Solenoid Valves (normally closed, SS body 1/8" NPT connection)

Port size	Orifice (mm)	C _v value	Pressure range (PSI)		Body material	Seal material	12/DC	24/60	24/DC	120/60	240/60
			for AC	for DC							
1/8"	1.2	0.05	0 – 305	0 – 174	SS	EPDM	293130	TBD	293134	293138	TBD
1/8"	1.2	0.05	0 – 305	0 – 174	SS	FKM	293142	TBD	293146	293150	TBD
1/8"	1.6	0.07	0 – 174	0 – 87	SS	EPDM	293131	TBD	293135	293139	TBD
1/8"	1.6	0.07	0 – 174	0 – 87	SS	FKM	293143	TBD	293147	293151	TBD
1/8"	2.0	0.13	0 – 116	0 – 65	SS	EPDM	293132	TBD	293136	293140	TBD
1/8"	2.0	0.13	0 – 116	0 – 65	SS	FKM	293144	TBD	293148	293152	TBD
1/8"	2.4	0.15	0 – 87	0 – 44	SS	EPDM	293133	TBD	293137	293141	TBD
1/8"	2.4	0.15	0 – 87	0 – 44	SS	FKM	293145	TBD	293149	293153	TBD

Ordering Chart for Accessories

Cable plug type 2506 to DIN EN 175301-803* form C

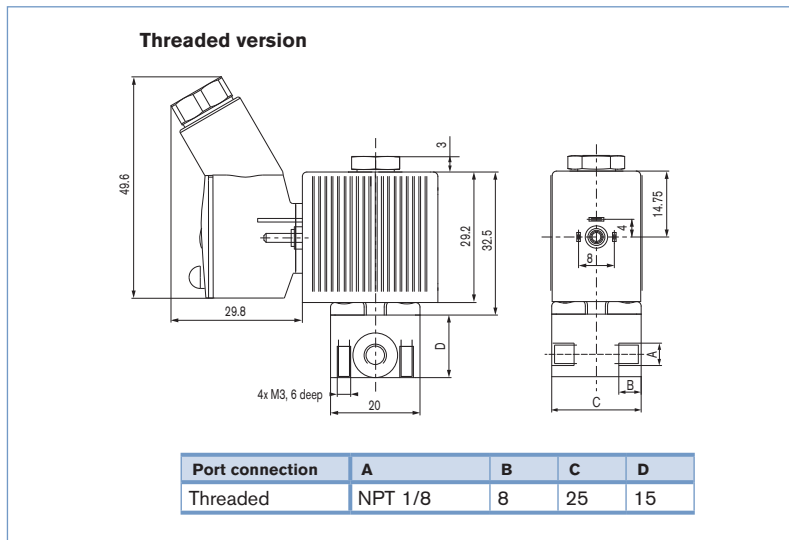
	Circuitry	Voltage	Item no.
	None (standard)	0 - 250 V AC/DC	008 353
	with LED	12 - 24 V AC/DC	008 402
	with LED and varistor	12 - 24 V AC/DC	008 408
	with rectifier, LED and varistor	12 - 24 V AC/DC	008 354

- Supplied with cable plug: flat seal and fixing screw.
- Other versions of cable plug with circuitry to DIN EN 175301-803* Form C (see Datasheet Type 2506).

^{*)} previously DIN 43650

Dimensions [mm]

Type 6011
Version with electrical coil connection to DIN EN 175301-803* form C
(cable plug type 2506)




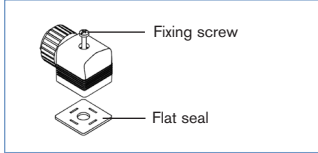
^{*)} previously DIN 43650

6213 2/2-Way Solenoid Valves (normally closed, Brass or SS body, 3/8" - 1" connection)

Port size	Orifice (mm)	C _v value	Pressure range(PSI)	Body material	Seal material	12/DC	24/60	24/DC	120/60	240/60
3/8"	10.0	2.2	145	Brass	EPDM	TBD	287806	263600	263597	263599
3/8"	10.0	2.2	145	SS	EPDM	TBD	263605	263609	263607	263608
1/2"	13.0	4.2	145	Brass	EPDM	TBD	287807	263613	263611	263612
1/2"	13.0	4.2	145	SS	EPDM	TBD	263614	263617	263615	263616
3/4"	20.0	9.8	145	Brass	EPDM	TBD	287808	263621	263619	263620
3/4"	20.0	9.8	145	SS	EPDM	TBD	263622	263625	263623	263624
1"	20.0	9.8	145	SS	EPDM	TBD	263618	263630	263596	263610

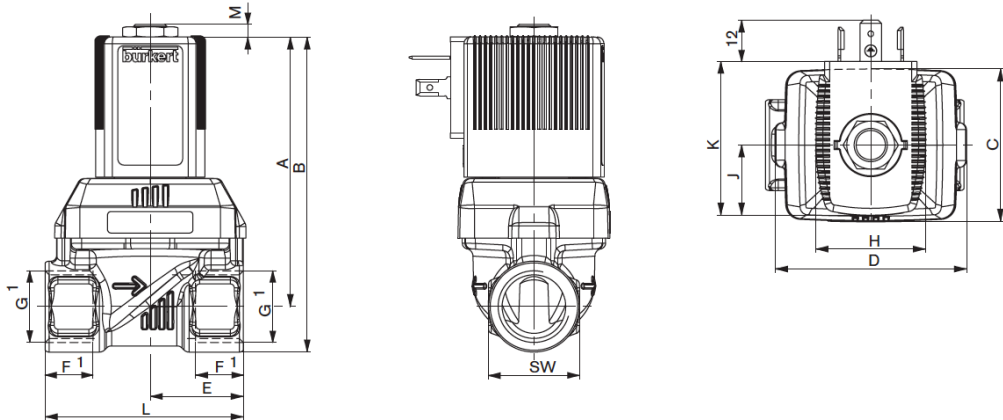
Ordering Chart for Accessories

Cable plug type 2508 according to DIN EN 175301-803 Form A

	Circuitry	Voltage / frequency	Item no.	
	None (standard)	0 - 250 V AC/DC	008 376	
	further versions see datasheet Type 2508			

The delivery of a cable plug includes the flat seal and the fixing screw. For other cable plug versions acc. to DIN EN 175301-803 Form A (previously DIN 43650), see Accessories or separate datasheet Type 2508.

Dimensions [mm]



Dimensions (AC-coil, 32mm)

DN	A	B	C	D	E (MS/VA)	*NPT		H	J	K	L (MS/VA)	SW	M
						F2	G2						
10	67.4	78.4	36	46	22	10.3	NPT 3/8	32	20.5	45	50	22	3.7
13	78.9	92.4	44.5	56	27.2/32.5	13.7	NPT 1/2	32	20.5	45	58/65	27	3.7
20	93.4	109.4	65	76.6	37	14	NPT 3/4	32	20.5	45	80	32	3.7
	95.9	116.4			37.5	16.8	NPT 1				80	41	

Dimensions (DC-coil, 40mm)

DN	A	B	C	D	E (MS/VA)	*NPT		H	J	K	L (MS/VA)	SW	M
						F2	G2						
10	67.4	78.4	36	46	22	10.3	NPT 3/8	40	23.5	51	50	22	3.7
13	79.3	92.8	44.5	56	27.2/32.5	13.7	NPT 1/2	40	23.5	51	58/65	27	3.7
20	93.8	109.8	65	76.6	37	14	NPT 3/4	40	23.5	51	80	32	3.7
	96.3	116.8			37.5	16.8	NPT 1				80	41	

To find your nearest Bürkert facility, click on the orange box → www.buerkert.com

In case of special application conditions,
please consult for advice.

Subject to alteration.
© Christian Bürkert GmbH & Co. KG