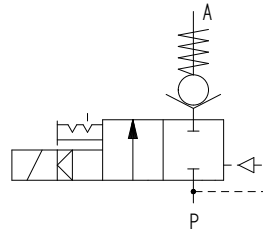
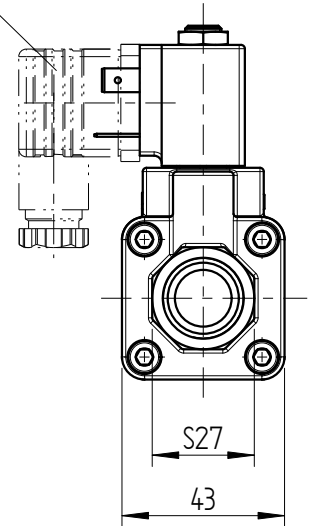


Cable-plug adaptable  
to coil E22 by 2 x 180°  
to coil E30 by 4 x 90°



#### TECHNICAL DATA

##### General features

Construction	Silent diaphragm solenoid valve with coaxial flow	
Designation	2/2 way solenoid valve	
Actuation	Electrical, servo-controlled, latching manual operation device	
Model-number	EGV-112-A78-1/2PR-00	
Valve-type	"A" normally closed	
Nominal size	DN 15	
Thread-supply	Pipe thread G1/2 (ISO 228)	
Ambient temperature	-20°C up to +60°C	
Fluid temperature	-10°C up to +130°C	
Fluid viscosity	Up to 20 mm <sup>2</sup> /s approx.	
Material	Valve body:	Brass Ms58
	Manual operation device:	Fiber-reinforced plastic material
	Diaphragm supporting unit:	Fiber-reinforced plastic material
	Other internal parts:	Stainless steel
	Sealing:	EPDM (Ethylen-Propylene)
Fixation	Fitting in rigid line system	
Mounting position	Any, preferably upright	

##### Pneumatic - hydraulic

Nominal pressure	PN 10
Working pressure range	0.2 up to 10 bar
Flow capacity [water m <sup>3</sup> /h]	5.6
Flow fluids	Neutral gases or liquids
Response time	Opening time: approx. 20ms - 2s closing time: 25ms - 5s depending on flow fluid

##### Electric

Possible voltage	AC/DC
------------------	-------

2010	Date	Name
Drawn	14.12.	M.Grassinger
Checked	14.12.	H.Töpfl

Scale

Description:

**EGV-112-A78-1/2PR-00**  
**2/2 way solenoid valve**

Order-number.: 650686



**AVS-Ing. J.C. Römer GmbH**  
Automatik • Ventile • Systeme-Werk  
Grundstr. 7 82549 Königsdorf

**650686-01D**