

**ACT20P**  
**ACT20P-PRO DCDC II-S**



**General ordering data**

|            |                                   |
|------------|-----------------------------------|
| Type       | ACT20P-PRO DCDC II-S              |
| Order No.  | <a href="#">1481970000</a>        |
| Version    | ACT20P, Analogue signal converter |
| GTIN (EAN) | 4050118291032                     |
| Qty.       | 1 pc(s).                          |

**ACT20P  
ACT20P-PRO DCDC II-S**
**Technical data**
**Dimensions and weights**

|            |          |        |          |
|------------|----------|--------|----------|
| Width      | 12.5 mm  | Height | 117.2 mm |
| Depth      | 113.7 mm | Weight | 110 g    |
| Net weight | 130 g    |        |          |

**Temperatures**

|                       |                |                     |                |
|-----------------------|----------------|---------------------|----------------|
| Operating temperature | -25 °C...70 °C | Storage temperature | -40 °C...85 °C |
|-----------------------|----------------|---------------------|----------------|

**Probability of failure**

|      |          |
|------|----------|
| MTBF | 76 Years |
|------|----------|

**Input**

|                           |   |               |   |
|---------------------------|---|---------------|---|
| Number of inputs          | 1   | Input voltage | configurable, $\pm 20$ mV...<br>$\pm 300$ V   |
| Input resistance, voltage | approx. 1 M $\Omega$  | Input current | configurable, $\pm 0.1$ mA... $\pm$<br>100 mA |
| Input resistance, current | < 5 mA: approx. 100 $\Omega$ ; >5<br>mA: approx. 5 $\Omega$ |               |   |

**Output**

|                           |                             |                        |                              |
|---------------------------|-----------------------------|------------------------|------------------------------|
| Output voltage, note      | adjustable, 0... $\pm 10$ V | Output current         | adjustable, 0... $\pm 20$ mA |
| Cut-off frequency (-3 dB) | > 10 kHz/ < 10 Hz           | load impedance voltage | $\geq 1$ k $\Omega$          |
| load impedance current    | $\leq 600$ $\Omega$         | Offset voltage         | < 10 mV                      |
| Offset current            | 20 $\mu$ A                  | Status indicator       | Green LED                    |

**General data**

|                    |   |                         |  |
|--------------------|---|-------------------------|--|
| Accuracy           | < 0.05 % of measuring<br>range  | Configuration           | DIP switch, or via display<br>and push-buttons |
| Galvanic isolation | 3-way isolator, between<br>input / output / supply /<br>relay         | Mounting rail           | TS 35  |
| Power consumption  | $\leq 2.3$ W  | Step response time      | $\leq 50$ ms, $\leq 50$ $\mu$ s                |
| Supply voltage     | 24...230 V DC $\pm 20$ %,<br>24...230 V AC $\pm 10$ % @<br>48...62 Hz | Temperature coefficient | $\leq 0,01\%$ des Messbereichs/<br>°C          |
| Type of connection | Screw connection  |                         |  |

**Insulation coordination**

|                    |   |   |  |
|--------------------|---|---|--|
| Galvanic isolation | 3-way isolator, between<br>input / output / supply /<br>relay   | Impulse withstand voltage                 | 5 kV (1.2/50 $\mu$ s)                                  |
| Insulation voltage | 4 kV <sub>eff</sub> , input / output /<br>power supply  | Insulation voltage input or output/supply | 4 kV <sub>eff</sub> , input / output /<br>power supply |
| Pollution severity | 2   | Rated voltage                             | 600 V  |
| Standards          | EN 60079-0, EN<br>60079-15, EN<br>61010-1:2011, EN<br>61140, EN 61326-1, UL<br>61010-1, SN29500 for<br>MTBF | Surge voltage category                    | II   |

**Data sheet**

**ACT20P  
ACT20P-PRO DCDC II-S**

**Technical data**

**Connection data**

|  |                     |  |                     |
|--|---------------------|--|---------------------|
| Type of connection                     | Screw connection    | Clamping range, rated connection       | 2.5 mm <sup>2</sup> |
| Clamping range, rated connection, min. | 0.5 mm <sup>2</sup> | Clamping range, rated connection, max. | 2.5 mm <sup>2</sup> |

**Classifications**

|            |             |            |             |
|------------|-------------|------------|-------------|
| ETIM 3.0   | EC001774    | ETIM 5.0   | EC002653    |
| ETIM 6.0   | EC002653    | eClass 6.2 | 27-21-01-20 |
| eClass 7.1 | 27-21-01-20 | eClass 8.1 | 27-21-01-20 |
| eClass 9.0 | 27-21-01-20 |            |             |

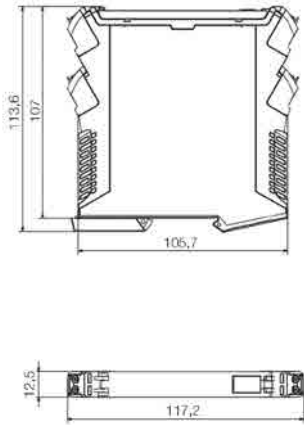
**Approvals**

|      |         |
|------|---------|
| ROHS | Conform |
|------|---------|

**Data sheet**

**ACT20P  
ACT20P-PRO DCDC II-S**

**Drawings**



Data sheet

**ACT20P**  
**ACT20P-PRO DCDC II-S**

Drawings

