

	MA13	MA14	MA15	MA17
<b>FILTERS</b>				
Port Size	1/8, 1/4" NPT	1/4, 3/8" NPT	1/4, 3/8, 1/2" NPT	3/4, 1" NPT
Filtration (micron)	5μ, 25μ, 50μ	5μ, 25μ, 50μ	5μ, 25μ, 50μ	5μ, 25μ, 50μ
Maximum Supply Pressure	140 PSI (10 BAR)/ 280 PSI (20 BAR) with metal bowl	140 PSI (10 BAR)/ 280 PSI (20 BAR) with metal bowl	140 PSI (10 BAR)/ 280 PSI (20 BAR) with metal bowl	140 PSI (10 BAR)/ 280 PSI (20 BAR) with metal bowl
Temperature Range *	41°-120°F (140°F metal bowl) 5°-50° C (60°C metal bowl)	41°-120°F (140°F metal bowl) 5°-50° C (60°C metal bowl)	41°-120°F (140°F metal bowl) 5°-50° C (60°C metal bowl)	41°-120°F (140°F metal bowl) 5°-50° C (60°C metal bowl)
Drain	Manual / Semi-Auto	Manual / Semi-Auto / Auto	Manual / Semi-Auto / Auto	Manual / Semi-Auto / Auto
Bowl Capacity oz (ml)	0.3 oz (9 ml)	1.1 oz (32 ml) Standard, 1.2 oz (35ml) AD, 2.2 oz (64ml) metal	1.5 oz (44 ml) Standard, 2.2 oz (65ml) AD, 3.1 oz (90ml) metal	5.6 oz (165 ml)
Flow (based on 85 psi inlet pressure with 40 micron filter)	15, 28 SCFM (425, 800 lpm)	27, 78 SCFM (765, 2250 lpm)	29, 76, 123 SCFM (815, 2185, 3500 lpm)	175, 228 (5000, 6500 lpm)
<b>REGULATORS</b>				
Max. Supply Pressure	225 PSI (15.5 bar)	225 PSI (15.5 bar)	225 PSI (15.5 bar)	225 PSI (15.5 bar)
Flow Capacity at 100 psig (6.9 BAR)	11,21 SCFM (315, 600 lpm)	61,87 SCFM (1750, 2500 lpm)	80,118, 140 SCFM (2280, 4764, 4000 lpm)	175, 228 SCFM (5000, 6000 lpm)
Output Pressure Ranges	0-10 psig (0-0.69 BAR)	0-10 psig (0-0.69 BAR)	0-10 psig (0-0.69 BAR)	0-10 psig (0-0.69 BAR)
	3-30 psig (0-2.1 BAR)	3-30 psig (0-2.1 BAR)	3-30 psig (0-2.1 BAR)	3-30 psig (0-2.1 BAR)
	7-100 psig (0-6.9 BAR)	7-100 psig (0-6.9 BAR)	7-100 psig (0-6.9 BAR)	7-100 psig (0-6.9 BAR)
	7-140 psig (0-9.6 BAR)	7-140 psig (0-9.6 BAR)	7-140 psig (0-9.6 BAR)	7-140 psig (0-9.6 BAR)
Temperature Range	41°-140° F / 5°-60° C	41°-140° F / 5°-60° C	41°-140° F / 5°-60° C	41°-140° F / 5°-60° C
Port Size	1/8, 1/4" NPT	1/8, 3/8" NPT	1/8, 3/8, 1/2" NPT	3/4, 1" NPT
Mounting Options	Pipe, Panel or Bracket	Pipe, Panel or Bracket	Pipe, Panel or Bracket	Pipe, Panel or Bracket
<b>FILTER-REGULATORS</b>				
Port Size	1/8, 1/4" NPT	1/4, 3/8" NPT	1/4, 3/8, 1/2" NPT	3/4, 1" NPT
Filtration (micron)	5μ, 25μ, 40μ	5μ, 25μ, 40μ	5μ, 25μ, 40μ	5μ, 25μ, 40μ
Maximum Supply Pressure	140 PSI (10 BAR)/ 280 PSI (20 BAR) with metal bowl	140 PSI (10 BAR)/ 280 PSI (20 BAR) with metal bowl	140 PSI (10 BAR)/ 280 PSI (20 BAR) with metal bowl	140 PSI (10 BAR)/ 280 PSI (20 BAR) with metal bowl
Temperature Range *	41°-120°F (140°F metal bowl) 5°-50° C (60° C metal bowl)	41°-120°F (140°F metal bowl) 5°-50° C (60° C metal bowl)	41°-120°F (140°F metal bowl) 5°-50° C (60° C metal bowl)	41°-120°F (140°F metal bowl)
Drain	Manual / Semi-Auto	Manual / Semi-Auto / Auto	Manual / Semi-Auto / Auto	Manual / Semi-Auto / Auto
Bowl Capacity oz (ml)	0.3 oz (9 ml)	1.1 oz (32 ml) Standard, 1.2 oz (35ml) AD, 2.2 oz (64ml) metal	2.2 oz (65ml) AD, 3.1 oz (90ml) metal	5.6 oz (165 ml)
Output Pressure Ranges	0-10 psig (0-0.69 BAR)	0-10 psig (0-0.69 BAR)	0-10 psig (0-0.69 BAR)	0-10 psig (0-0.69 BAR)
	3-30 psig (0-2.1 BAR)	3-30 psig (0-2.1 BAR)	3-30 psig (0-2.1 BAR)	3-30 psig (0-2.1 BAR)
	7-100 psig (0-6.9 BAR)	7-100 psig (0-6.9 BAR)	7-100 psig (0-6.9 BAR)	7-100 psig (0-6.9 BAR)
	7-140 psig (0-9.6 BAR)	7-140 psig (0-9.6 BAR)	7-140 psig (0-9.6 BAR)	7-140 psig (0-9.6 BAR)
Flow (based on 100 psi inlet pressure with 40 micron filter)	8.8, 19.3 SCFM (250, 550 lpm)	25, 63 SCFM (725, 1800 lpm)	32, 81, 105 SCFM (915, 2300, 3000 lpm)	210 SCFM (6000 lpm)/ 228SCFM (6800 lpm) STD, metal/ 212 SCFM(6000 lpm)/ 214 SCFM(6000 lpm) AUTO
<b>LUBRICATORS</b>				
Port Size	1/8, 1/4" NPT	1/4, 3/8" NPT	1/4, 3/8, 1/2" NPT	3/4, 1" NPT
Lubrication	Mist	Mist	Mist	Mist
Maximum Supply Pressure	140 PSI (10 BAR) 280 PSI (20 BAR) with metal bowl	140 PSI (10 BAR) 280 PSI (20 BAR) with metal bowl	140 PSI (10 BAR) 280 PSI (20 BAR) with metal bowl	140 PSI (10 BAR) 280 PSI (20 BAR) with metal bowl
Temperature Range *	41°-120°F (140°F metal bowl) 5°-50° C (60° C metal bowl)	41°-120°F (140°F metal bowl) 5°-50° C (60° C metal bowl)	41°-120°F (140°F metal bowl) 5°-50° C (60° C metal bowl)	41°-120°F (140°F metal bowl) 5°-50° C (60° C metal bowl)
Bowl Capacity oz (ml)	0.68 oz (20ml)	2.0 oz (57ml) Standard/ 3.4 oz (100 ml) METAL	5.1 oz(152ml) STD/ 6.8 oz(200 ml) METAL	6.8 oz (200 ml)
Flow (based on 85 psi inlet pressure)	16 SCFM (455 lpm)/ 47 SCFM(1350 lpm)	47 SCFM (1330 lpm)/ 105 SCFM(3000 lpm)	47(1350 ml)/ 115 SCFM(3270 lpm) 198 SCFM(3270 lpm)	254 SCFM (7200 lpm)/ 318 SCFM(9000 lpm)

\* Metal Bowls have a higher temp. range; (41°-140° F / 5°-60° C)



# FRL's



## FRL ORDERING INFORMATION

### FRL FEATURES

Modular design for service & interchangeability

Small package size and light weight construction

Competitively priced

### FILTERS

MA13 has polycarbonate bowl with metal guard; threaded type

MA14, MA15, MA17 have polycarbonate bowl with metal guard, bayonet type

### STOCK ELEMENTS

5, 25 or 50 micron

Manual, semi-auto or auto drain available

### REGULATORS

Diaphragm operated balanced poppet design, relieving type  
Superior droop performance

Panel, pipe, or bracket mounting

Metal body, polycarbonate bonnet and knob

Non-rising adjustment knob with push-pull lock ring feature

### FILTER REGULATORS

Aluminum and polycarbonate construction

Manual, semi-auto or autodrain available

Polycarbonate bowl with metal guard

Non-rising adjustment knob with push-pull lock ring feature

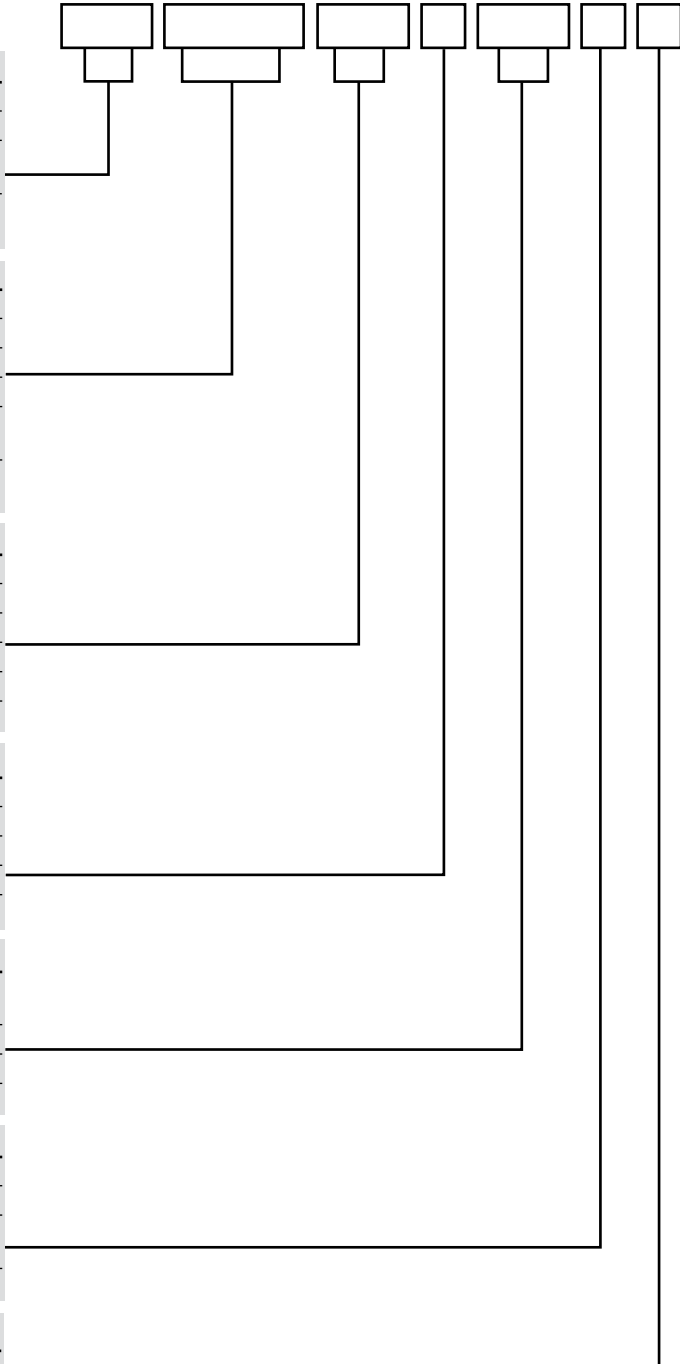
For panel or bracket mounting

### LUBRICATORS

Polycarbonate bowl with metal guard; top plug permits filling without removing bowl or shutting off air

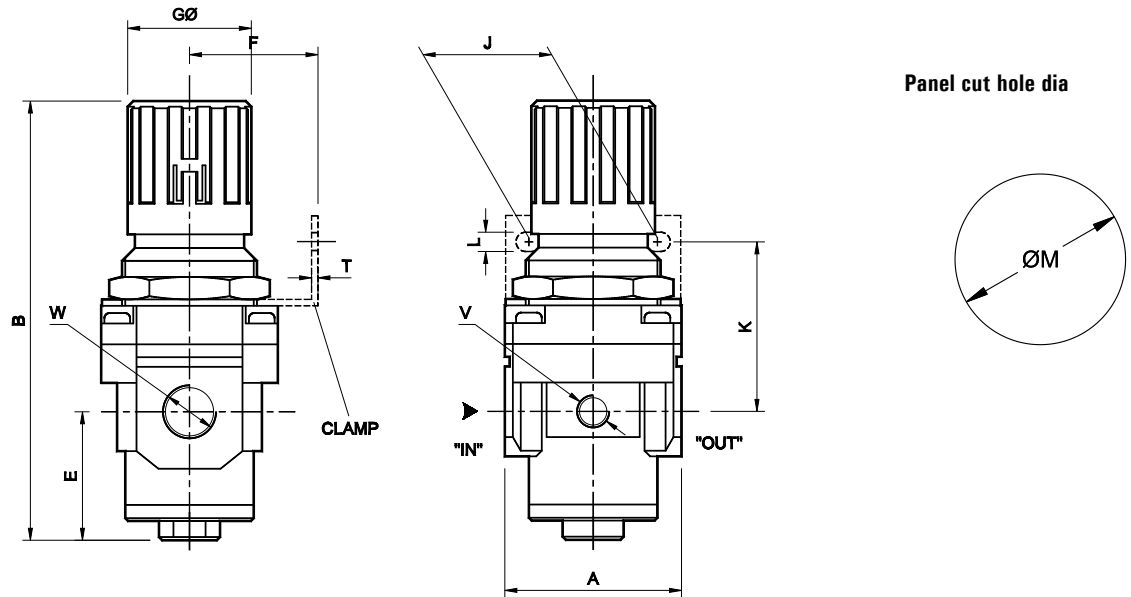
Adjust drip rate by hand, using needle adjusting knob

SIZE	
1/8", 1/4" NPT (11, 21 SCFM)	MA13
1/4", 3/8" NPT (61, 88 SCFM)	MA14
1/4", 3/8", 1/2" NPT (80, 167, 140 SCFM)	MA15
3/4", 1" NPT (175, 228 SCFM)	MA17
DESCRIPTION	
Filter	F
Regulator	R
Lubricator	L
Filter Regulator	FR
Filter Regulator PLUS Lubricator	FRP
Filter, Regulator, Lubricator	FRL
PORT SIZE	
1/8" NPT	1N
1/4" NPT	2N
3/8" NPT	3N
1/2" NPT	4N
3/4" NPT	6N
1" NPT	8N
PRESSURE RANGES	
0-10 psi	A
0-30 psi	L
0-100 psi	M
0-140 psi	H
Omit for Filters & Lubricators	
FILTERS	
50 Micron Filter, Standard	C
25 Micron Filter	B
5 Micron Filter	F
Omit for Regulators & Lubricators	
DRAIN	
Manual Drain, Standard	M
Semi-Automatic Drain	S
Auto Drain (NOT AVAILABLE ON MA13)	A
Omit for Regulators & Lubricators	
BOWL MATERIAL OPTIONS	
Metal Bowl, NO Level Indicator	M
Metal Bowl with Level Indicator	L

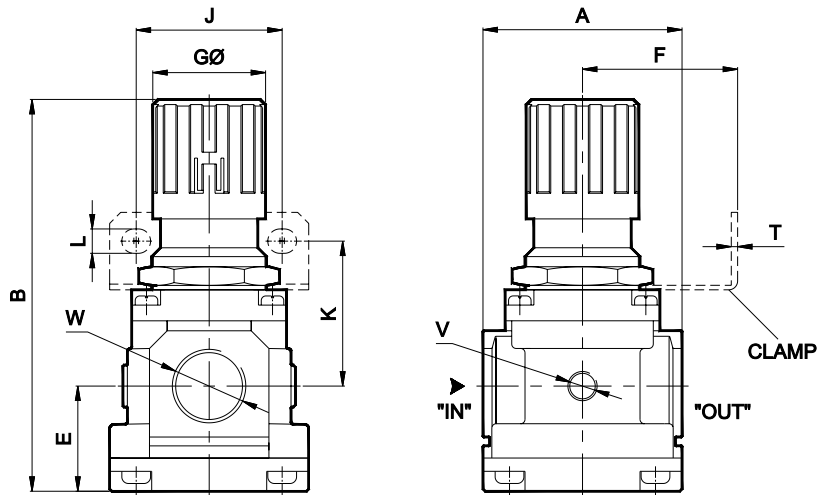


# REGULATOR - SERIES MA

MODEL MA13R, MA14R, MA15R



## MODEL MA17R

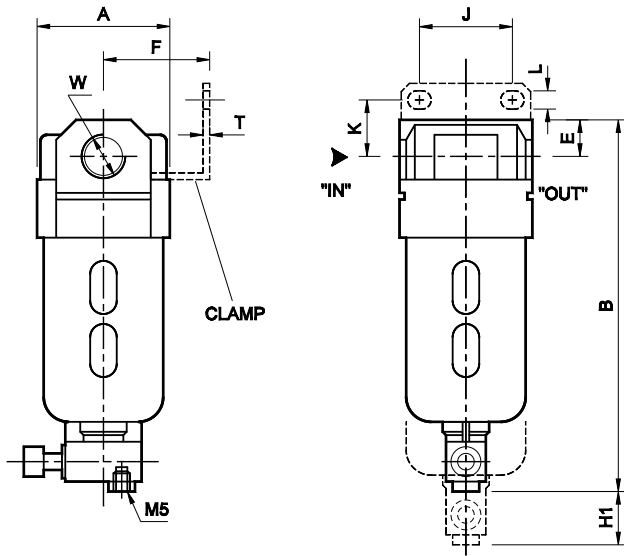


MODEL	W	V		A	B	E	F	GØ	J	K	L	T	ØM
<b>MA13</b>	NPT 1/8 (G1/8) NPT 1/4 (G1/4)	NPT 1/8 (G1/8)	Inch (mm)	SQ 1.575 (40)	3.189 (81)	0.512 (13)	1.181 (30)	1.102 (28)	1.102 (28)	1.771 (45)	0.216 (5.5)	0.079 (2)	1.22 (31)
<b>MA14</b>	NPT 1/4 (G1/4) NPT 3/8 (G3/8)	NPT 1/8 (G1/8)	Inch (mm)	SQ 2.165 (55)	5.315 (135)	1.575 (40)	1.574 (40)	1.574 (40)	1.574 (40)	2.087 (53)	0.256 (6.5)	0.079 (2)	1.693 (43)
<b>MA15</b>	NPT 1/4 (G1/4) NPT 3/8 (G3/8) NPT 1/2 (G1/2)	NPT 1/8 (G1/8)	Inch (mm)	SQ 2.756 (70)	6.496 (165)	1.575 (40)	1.968 (50)	2.008 (51)	2.165 (55)	2.441 (62)	0.335 (8.5)	0.079 (2)	2.087 (53)
<b>MA17</b>	NPT 3/4 (G3/4)	NPT 1/4 (G1/4)	Inch (mm)	SQ 3.543 (90)	6.969 (177)	1.87 (47.5)	2.756 (70)	2.008 (51)	2.598 (66)	2.560 (65)	0.433 (11)	0.197 (5)	2.087 (53)
<b>MA17</b>	NPT 1 (G1)	NPT 1/4 (G1/4)	Inch (mm)	SQ 3.543 (90)	6.969 (177)	1.87 (47.5)	2.756 (70)	2.008 (51)	2.598 (66)	2.560 (65)	0.433 (11)	0.197 (5)	2.087 (53)

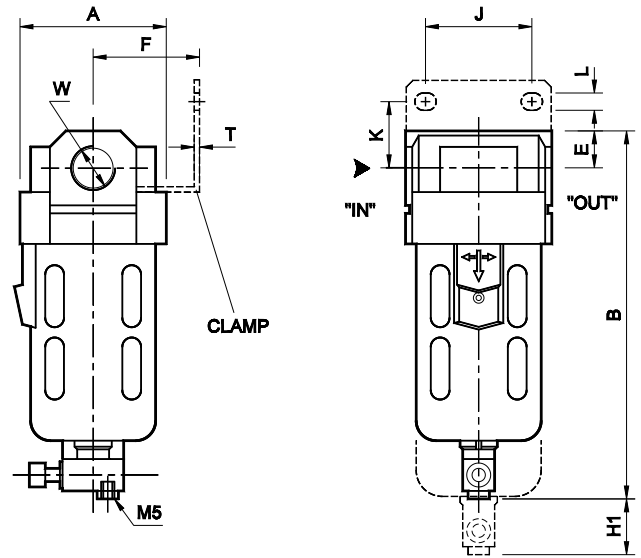
For Details of Clamp see optional accessories

# FRL's FILTER - SERIES MA

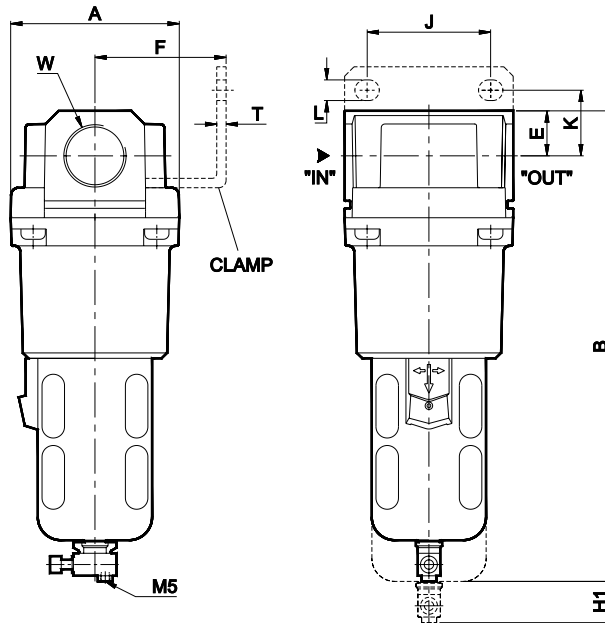
## MODEL MA13F



## MODEL MA14F, MA15F



## MODEL MA17F



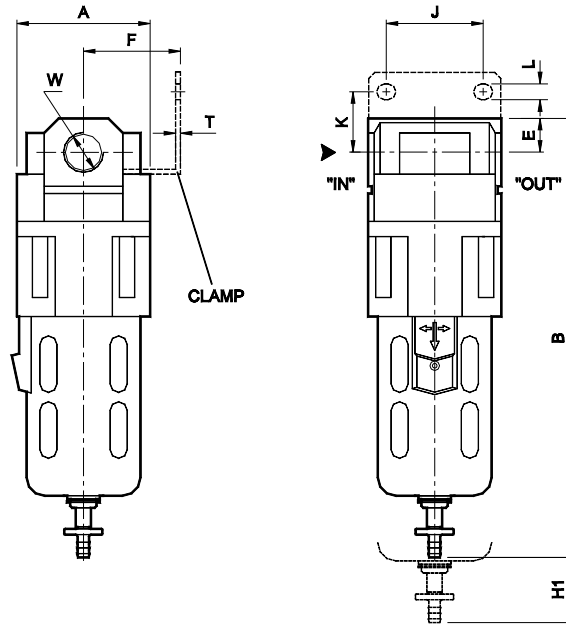
MODEL	W		A	B	E	K	F	J	L	T	H1
MA13	NPT 1/8 (G1/8) NPT 1/4 (G1/4)	Inch (mm)	SQ 1.575 (40)	4.449 (113)	0.43 (11)	0.59 (15)	1.181 (30)	1.102 (28)	0.216 (5.5)	0.079 (2)	1.968 (50)
MA14	NPT 1/4 (G1/4) NPT 3/8 (G3/8)	Inch (mm)	SQ 2.165 (55)	5.512 (140)	0.55 (14)	0.98 (25)	1.575 (40)	1.575 (40)	0.256 (6.5)	0.079 (2)	2.165 (55)
MA15	NPT 1/4 (G1/4) NPT 3/8 (G3/8) NPT 1/2 (G1/2)	Inch (mm)	SQ 2.756 (70)	6.772 (172)	0.71 (18)	0.98 (25)	1.968 (50)	2.165 (55)	0.335 (8.5)	0.079 (2)	3.15 (80)
MA17	NPT 3/4 (G3/4)	Inch (mm)	SQ 3.543 (90)	10.236 (260)	0.95 (24)	1.38 (35)	2.756 (70)	2.598 (66)	0.433 (11)	0.196 (5)	3.15 (80)
MA17	NPT 1 (G1)	Inch (mm)	SQ 3.543 (90)	10.236 (260)	0.95 (24)	1.38 (35)	2.756 (70)	2.598 (66)	0.433 (11)	0.196 (5)	3.15 (80)

For Details of Clamp see optional accessories

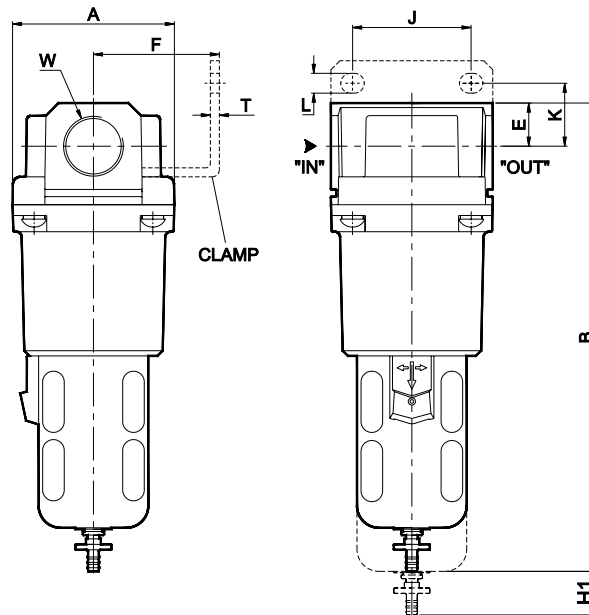


# FILTER WITH INTERNAL AUTODRAIN - SERIES MA

MODEL MA14FXXXA, MA15FXXXA

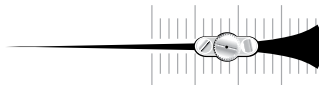


MODEL MA17FXXXA



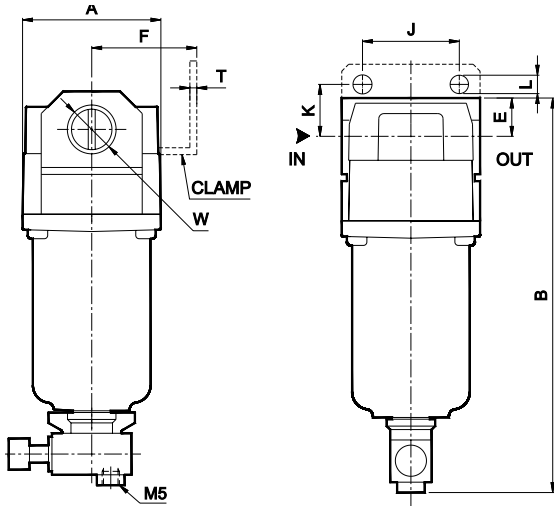
MODEL	W		A	B	E	K	F	J	L	T	H1
MA14	NPT 1/4 (G1/4) NPT 3/8 (G3/8)	Inch (mm)	SQ 2.165 (55)	7.598 (193)	0.55 (14)	0.98 (25)	1.575 (40)	1.575 (40)	0.256 (6.5)	0.079 (2)	2.165 (55)
MA15	NPT 1/4 (G1/4) NPT 3/8 (G3/8) NPT 1/2 (G1/2)	Inch (mm)	SQ 2.756 (70)	9.055 (230)	0.71 (18)	0.98 (25)	1.968 (50)	2.165 (55)	0.335 (8.5)	0.079 (2)	3.15 (80)
MA17	NPT 3/4 (G3/4)	Inch (mm)	SQ 3.543 (90)	10.236 (260)	0.95 (24)	1.38 (35)	2.756 (70)	2.598 (66)	0.433 (11)	0.196 (5)	3.15 (80)
MA17	NPT 1 (G1)	Inch (mm)	SQ 3.543 (90)	10.236 (260)	0.95 (24)	1.38 (35)	2.756 (70)	2.598 (66)	0.433 (11)	0.196 (5)	3.15 (80)

For Details of Clamp see optional accessories

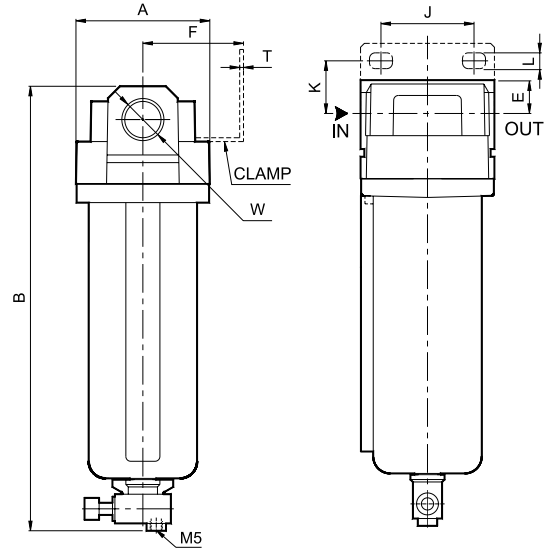


## FILTER WITH METAL BOWL SERIES MA

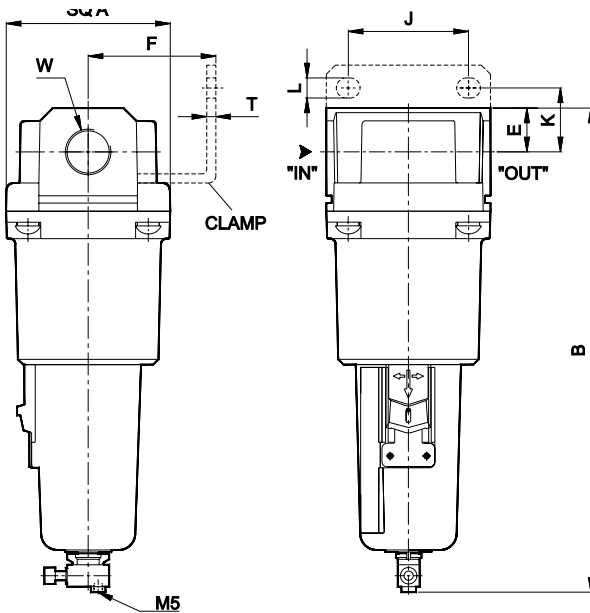
### MODEL MA13FXXXXM



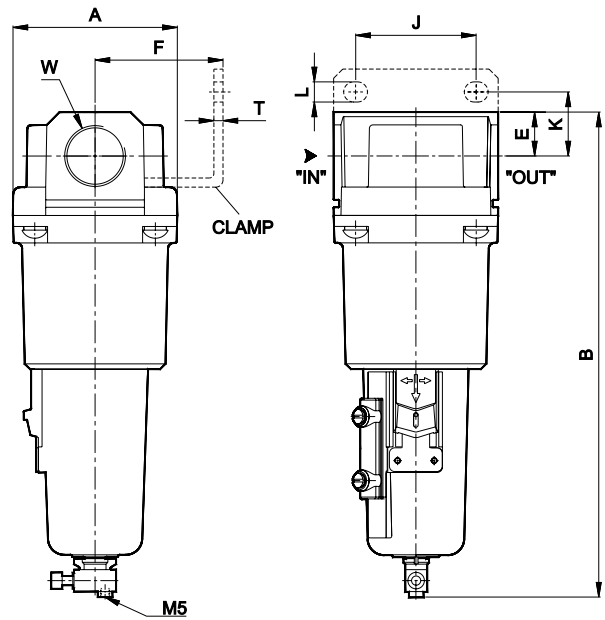
### MODEL MA14FXXXXM, MA15FXXXXM



### MODEL MA17FXXXXM



### MODEL MA17FXXXXL



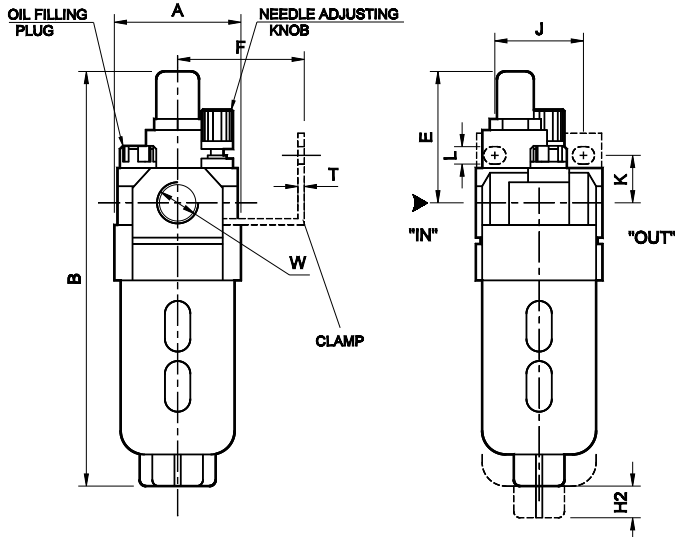
MODEL	W		A	B	E	K	F	J	L	T
<b>MA13</b>	NPT 1/8 (G1/8) NPT 1/4 (G1/4)	Inch (mm)	SQ 1.575 (40)	4.528 (115)	0.43 (11)	0.59 (15)	1.181 (30)	1.102 (28)	0.216 (5.5)	0.079 (2)
<b>MA14</b>	NPT 1/4 (G1/4) NPT 3/8 (G3/8)	Inch (mm)	SQ 2.165 (55)	7.402 (188)	0.55 (14)	0.98 (25)	1.574 (40)	1.574 (40)	0.256 (6.5)	0.079 (2)
<b>MA15</b>	NPT 1/4 (G1/4) NPT 3/8 (G3/8) NPT 1/2 (G1/2)	Inch (mm)	SQ 2.756 (70)	8.819 (224)	0.71 (18)	0.98 (25)	1.968 (50)	2.165 (55)	0.335 (8.5)	0.079 (2)
<b>MA17</b>	NPT 3/4 (G3/4)	Inch (mm)	SQ 3.543 (90)	10.433 (265)	0.95 (24)	1.38 (35)	2.756 (70)	2.598 (66)	0.433 (11)	0.196 (5)
<b>MA17</b>	NPT 1 (G1)	Inch (mm)	SQ 3.543 (90)	10.433 (265)	0.95 (24)	1.38 (35)	2.756 (70)	2.598 (66)	0.433 (11)	0.196 (5)

For Details of Clamp see optional accessories

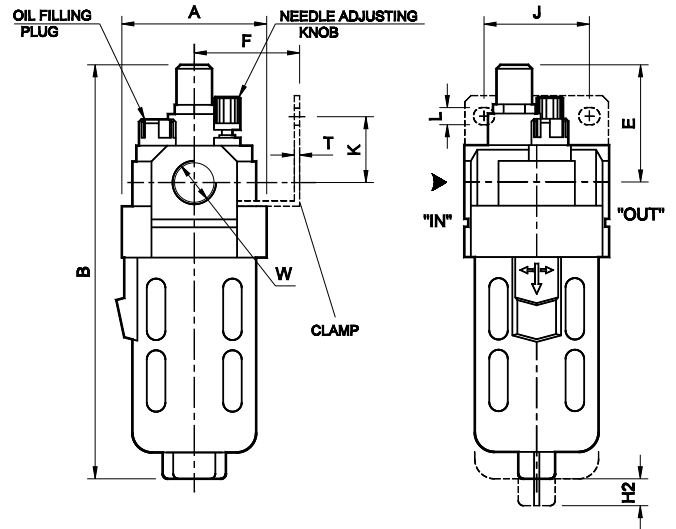


# LUBRICATOR SERIES MA

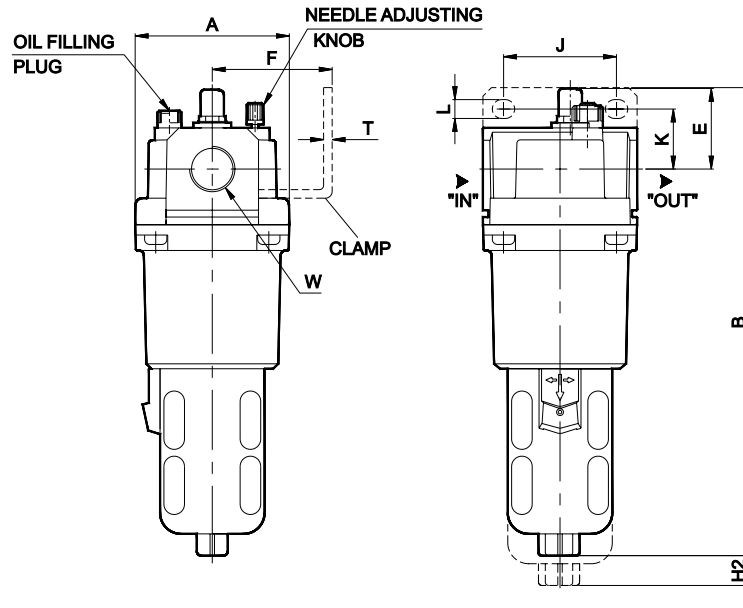
## MODEL MA13L



## MODEL MA1L, MA15L

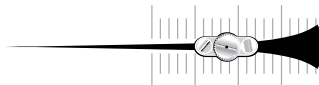


## MODEL MA17L



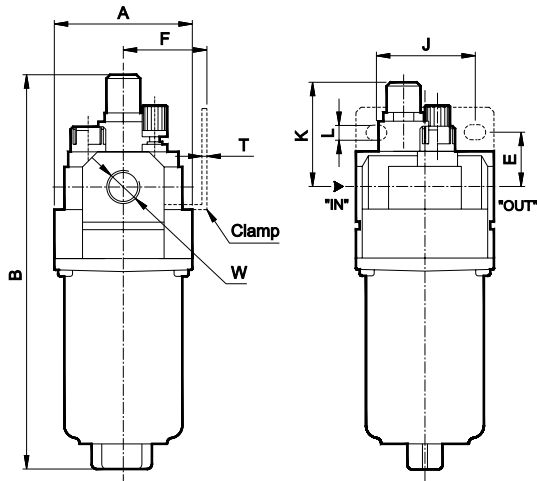
MODEL	W		A	B	E	F	J	K	L	T	H2
MA13	NPT 1/8 (G1/8) NPT 1/4 (G1/4)	Inch (mm)	SQ 1.575 (40)	5.315 (135)	1.653 (42)	1.181 (30)	1.968 (28)	0.59 (15)	0.216 (5.5)	0.079 (2)	1.378 (35)
MA14	NPT 1/4 (G1/4) NPT 3/8 (G3/8)	Inch (mm)	SQ 2.165 (55)	6.181 (17)	1.732 (44)	1.574 (40)	1.574 (40)	0.984 (25)	0.256 (6.5)	0.079 (2)	1.772 (45)
MA15	NPT 1/4 (G1/4) NPT 3/8 (G3/8) NPT 1/2 (G1/2)	Inch (mm)	SQ 2.756 (70)	7.480 (190)	1.811 (46)	1.968 (50)	2.165 (55)	0.984 (25)	0.335 (8.5)	0.079 (2)	1.772 (45)
MA17	NPT 3/4 (G3/4)	Inch (mm)	SQ 3.543 (90)	10.748 (273)	1.850 (47)	2.756 (70)	2.598 (66)	1.378 (35)	0.433 (11)	0.197 (5)	1.772 (45)
MA17	NPT 1 (G1)	Inch (mm)	SQ 3.543 (90)	10.748 (273)	1.850 (47)	2.756 (70)	2.598 (66)	1.378 (35)	0.433 (11)	0.197 (5)	1.772 (45)

For Details of Clamp see optional accessories

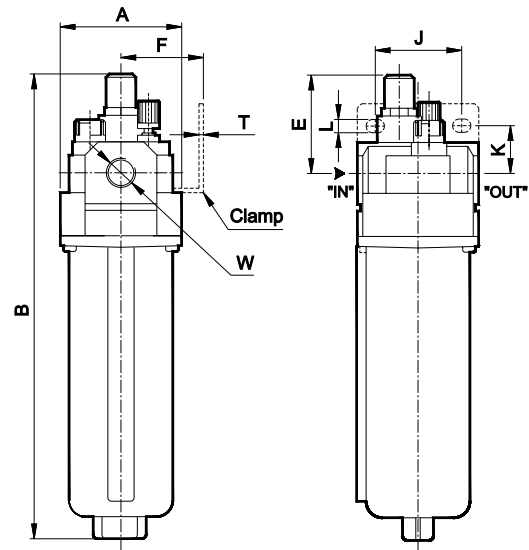


## LUBRICATOR WITH METAL BOWL - SERIES MA

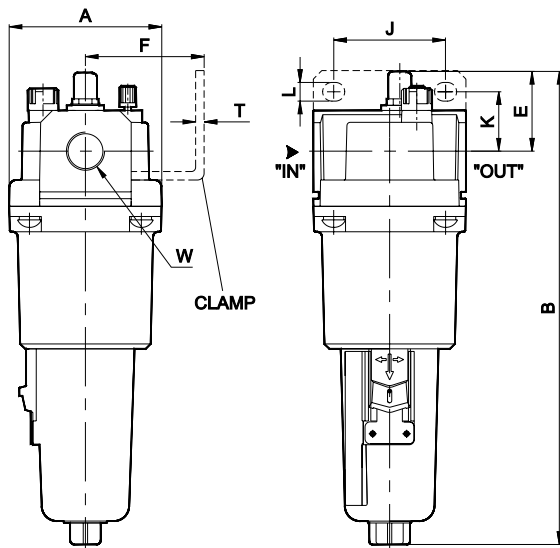
### MODEL MA13LXXM



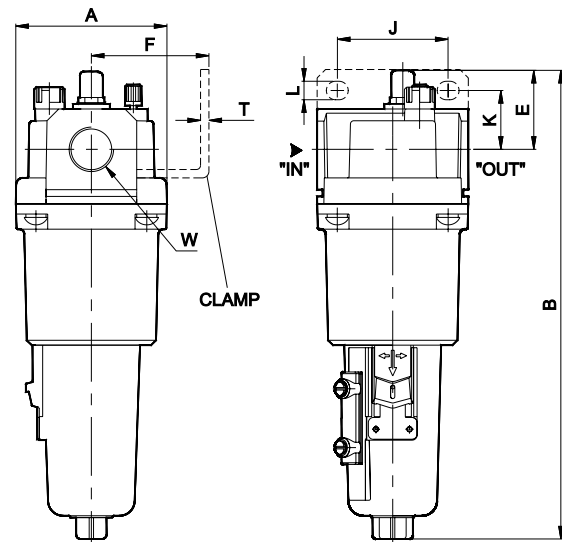
### MODEL MA14LXXM, MA15LXXM



### MODEL MA17LXXM



### MODEL MA17LXXL



MODEL	W		A	B	E	F	J	K	L	T
<b>MA13</b>	NPT 1/8 (G1/8) NPT 1/4 (G1/4)	Inch (mm)	SQ 1.575 (40)	5.315 (135)	1.653 (42)	1.181 (30)	1.968 (28)	0.59 (15)	0.216 (5.5)	0.079 (2)
<b>MA14</b>	NPT 1/4 (G1/4) NPT 3/8 (G3/8)	Inch (mm)	SQ 2.165 (55)	6.071 (205)	1.732 (44)	1.574 (40)	1.574 (40)	0.984 (25)	0.256 (6.5)	0.079 (2)
<b>MA15</b>	NPT 1/4 (G1/4) NPT 3/8 (G3/8) NPT 1/2 (G1/2)	Inch (mm)	SQ 2.756 (70)	9.449 (240)	1.811 (46)	1.968 (50)	2.165 (55)	0.984 (25)	0.335 (8.5)	0.079 (2)
<b>MA17</b>	NPT 3/4 (G3/4)	Inch (mm)	SQ 3.543 (90)	10.984 (279)	1.850 (47)	2.756 (70)	2.598 (66)	1.378 (35)	0.433 (11)	0.197 (5)
<b>MA17</b>	NPT 1 (G1)	Inch (mm)	SQ 3.543 (90)	10.984 (279)	1.850 (47)	2.756 (70)	2.598 (66)	1.378 (35)	0.433 (11)	0.197 (5)

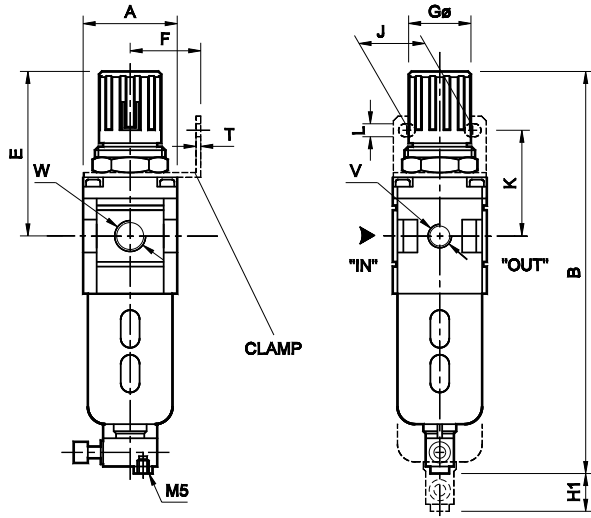
For Details of Clamp see optional accessories



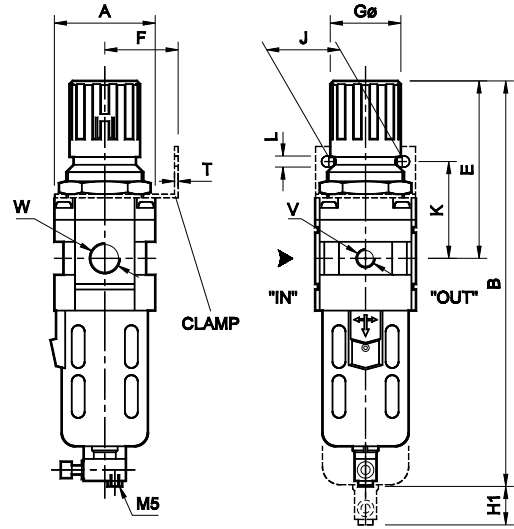


# FILTER REGULATOR COMBINATION - SERIES MA

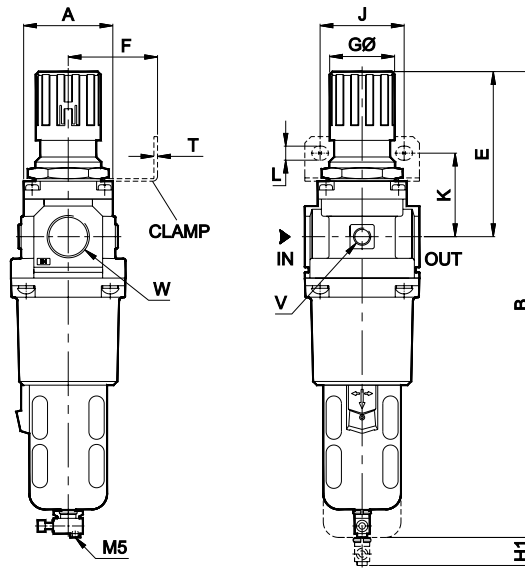
## MODEL MA13FR



## MODEL MA14FR, MA15FR

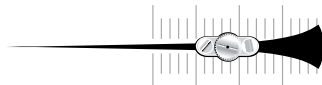


## MODEL MA17FR



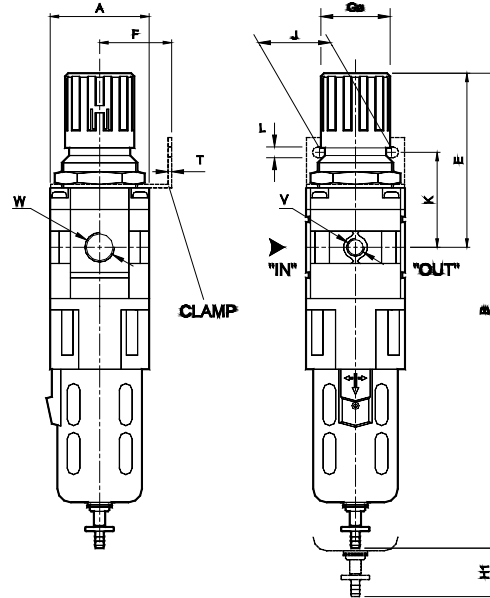
MODEL	W	V		A	B	E	F	K	GØ	J	L	T	H1
<b>MA13</b>	NPT 1/8 (G1/8) NPT 1/4 (G1/4)	NPT 1/8 (G1/8)	Inch (mm)	SQ 1.575 (40)	6.69 (170)	2.68 (68)	1.181 (30)	1.771 (45)	1.102 (28)	1.102 (28)	0.216 (5.5)	0.079 (2)	1.968 (50)
<b>MA14</b>	NPT 1/4 (G1/4) NPT 3/8 (G3/8)	NPT 1/8 (G1/8)	Inch (mm)	SQ 2.165 (55)	8.66 (220)	3.74 (95)	1.574 (40)	2.087 (53)	1.574 (40)	1.574 (40)	0.256 (6.5)	0.079 (2)	2.165 (55)
<b>MA15</b>	NPT 1/4 (G1/4) NPT 3/8 (G3/8) NPT 1/2 (G1/2)	NPT 1/8 (G1/8)	Inch (mm)	SQ 2.756 (70)	11.02 (280)	4.92 (125)	1.968 (50)	2.441 (62)	2.008 (51)	2.165 (55)	0.335 (8.5)	0.079 (2)	3.15 (80)
<b>MA17</b>	NPT 3/4 (G3/4)	NPT 1/4 (G1/4)	Inch (mm)	SQ 3.543 (90)	14.57 (370)	5.12 (130)	2.756 (70)	2.560 (65)	2.008 (51)	2.598 (66)	0.433 (11)	0.197 (5)	3.15 (80)
<b>MA17</b>	NPT 1 (G1)	NPT 1/4 (G1/4)	Inch (mm)	SQ 3.543 (90)	14.57 (370)	5.12 (130)	2.756 (70)	2.560 (65)	2.008 (51)	2.598 (66)	0.433 (11)	0.197 (5)	3.15 (80)

For Details of Clamp see optional accessories

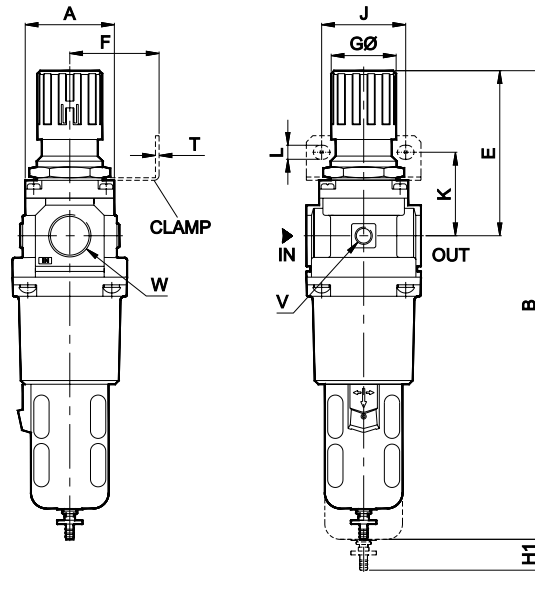


## FILTER REGULATOR COMBINATION WITH INTERNAL AUTODRAIN - SERIES MA

MODEL MA14FRXXXXA, MA15FRXXXXA



MODEL MA17FRXXXXA



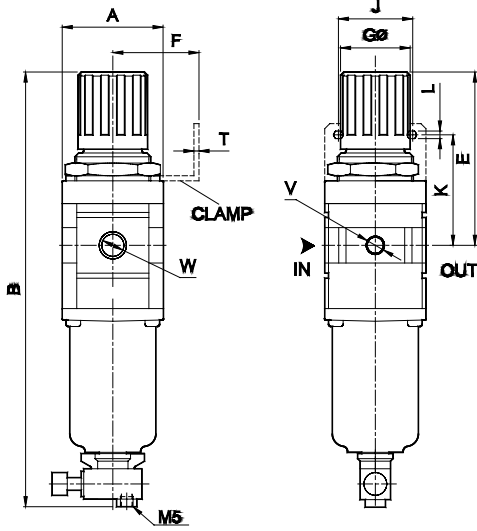
MODEL	W			A	B	E	F	K	GØ	J	L	T	H1
<b>MA14</b>	NPT 1/4 (G1/4) NPT 3/8 (G3/8)	NPT 1/8 (G1/8)	Inch (mm)	SQ 2.165 (55)	10.71 (272)	3.74 (95)	1.575 (40)	2.087 (53)	1.575 (40)	1.575 (40)	0.256 (6.5)	0.079 (2)	2.36 (60)
<b>MA15</b>	NPT 1/4 (G1/4) NPT 3/8 (G3/8) NPT 1/2 (G1/2)	NPT 1/8 (G1/8)	Inch (mm)	SQ 2.756 (70)	13.19 (335)	4.92 (125)	1.968 (50)	2.441 (62)	2.008 (51)	2.165 (55)	0.335 (8.5)	0.079 (2)	3.35 (85)
<b>MA17</b>	NPT 3/4 (G3/4)	NPT 1/4 (G1/4)	Inch (mm)	SQ 3.543 (90)	14.49 (368)	5.12 (130)	2.756 (70)	2.559 (65)	2.008 (51)	2.598 (66)	0.433 (11)	0.197 (5)	3.35 (85)
<b>MA17</b>	NPT 1 (G1)	NPT 1/4 (G1/4)	Inch (mm)	SQ 3.543 (90)	14.49 (368)	5.12 (130)	2.756 (70)	2.599 (65)	2.008 (51)	2.598 (66)	0.433 (11)	0.197 (5)	3.35 (85)

For Details of Clamp see optional accessories

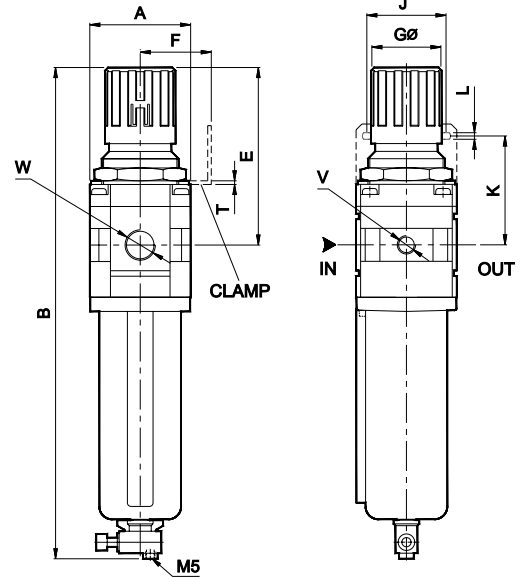


# FILTER REGULATOR COMBINATION WITH METAL BOWL- SERIES MA

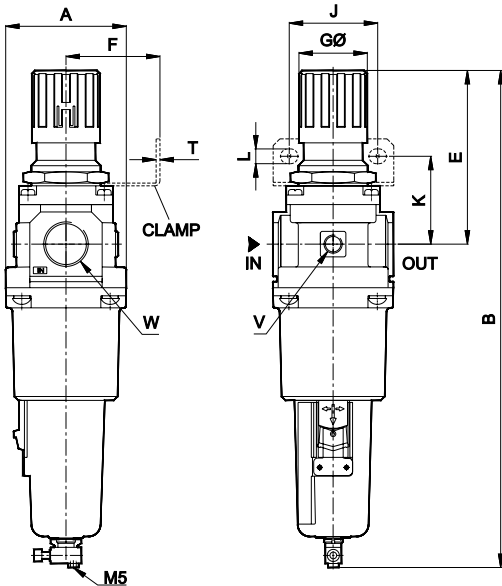
MODEL MA13FRXXXXXM



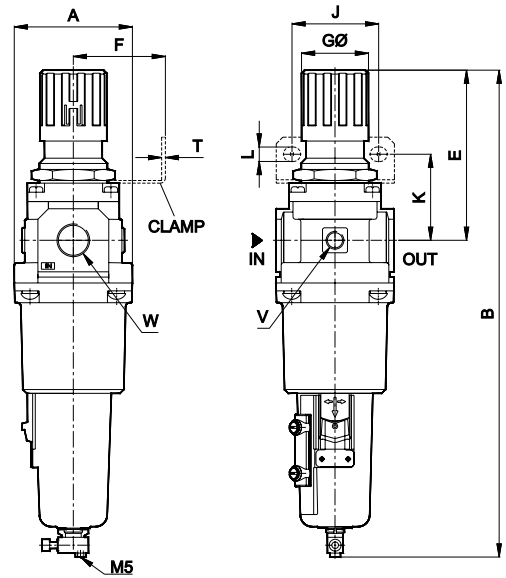
MODEL MA14FRXXXXXM, MA15FRXXXXXM



MODEL MA17FRXXXXXM

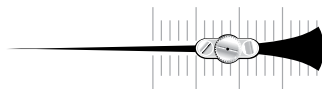


MODEL MA17FRXXXXXL



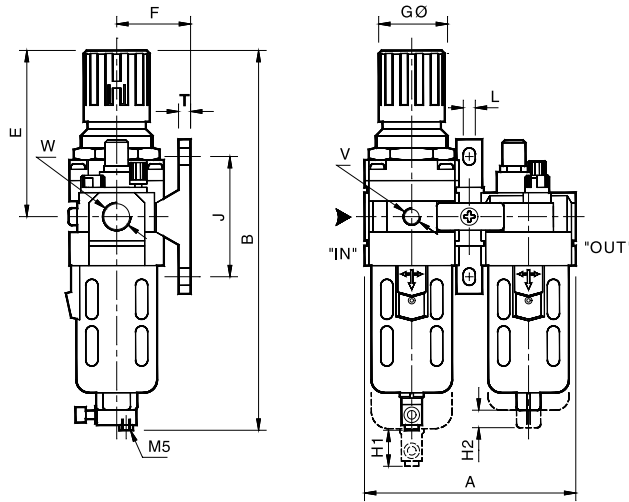
MODEL	W	V		A	B	E	F	K	GØ	J	L	T
MA13	NPT 1/8 (G1/8) NPT 1/4 (G1/4)	NPT 1/8 (G1/8)	Inch (mm)	SQ 1.575 (40)	6.769 (172)	2.677 (68)	1.181 (30)	1.772 (45)	1.102 (28)	1.102 (28)	0.216 (5.5)	0.079 (2)
MA14	NPT 1/4 (G1/4) NPT 3/8 (G3/8)	NPT 1/8 (G1/8)	Inch (mm)	SQ 2.165 (55)	10.43 (265)	3.740 (95)	1.575 (40)	2.087 (53)	1.575 (40)	1.574 (40)	0.256 (6.5)	0.079 (2)
MA15	NPT 1/4 (G1/4) NPT 3/8 (G3/8) NPT 1/2 (G1/2)	NPT 1/8 (G1/8)	Inch (mm)	SQ 2.756 (70)	12.99 (330)	4.921 (125)	1.968 (50)	2.441 (62)	2.008 (51)	2.165 (55)	0.335 (8.5)	0.079 (2)
MA17	NPT 3/4 (G3/4)	NPT 1/4 (G1/4)	Inch (mm)	SQ 3.543 (90)	14.61 (371)	5.118 (130)	2.756 (70)	2.559 (65)	2.008 (51)	2.598 (66)	0.433 (11)	0.197 (5)
MA17	NPT 1 (G1)	NPT 1/4 (G1/4)	Inch (mm)	SQ 3.543 (90)	14.61 (371)	5.118 (130)	2.756 (70)	2.559 (65)	2.008 (51)	2.598 (66)	0.433 (11)	0.197 (5)

For Details of Clamp see optional accessories

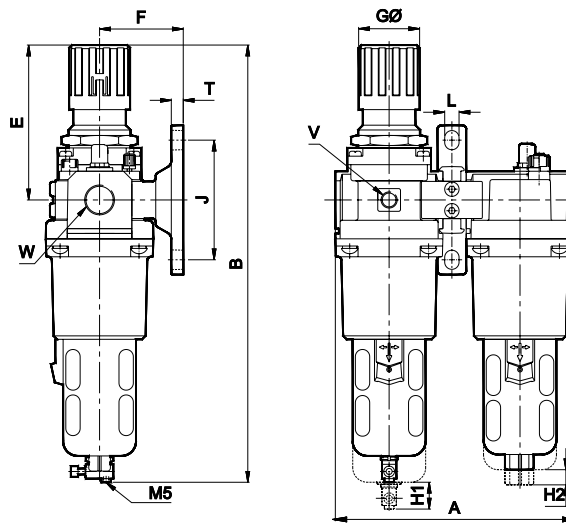


## FRP MODULAR - SERIES MA

MODEL MA13FRP THU MA15FRP  
- WALL MOUNTING BRACKET



## MODEL MA17FRP- WALL MOUNTING BRACKET



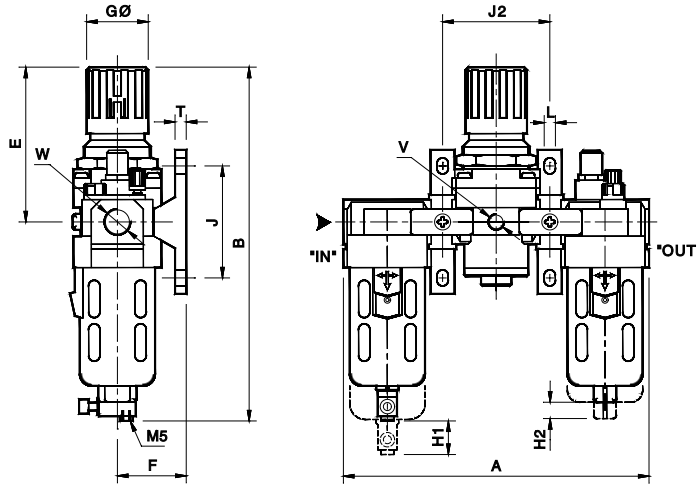
## WALL MOUNT

MODEL	W	V		A	B	E	F	GØ	J	L	T	H1	H2
<b>MA13</b>	NPT 1/8 (G1/8) NPT 1/4 (G1/4)	NPT 1/8 (G1/8)	Inch (mm)	3.62 (92)	6.69 (170)	2.677 (68)	1.378 (35)	1.102 (28)	1.968 (50)	0.275 (7)	0.275 (7)	1.968 (50)	1.378 (35)
<b>MA14</b>	NPT 1/4 (G1/4) NPT 3/8 (G3/8)	NPT 1/8 (G1/8)	Inch (mm)	4.88 (124)	8.66 (220)	3.740 (95)	1.772 (45)	1.574 (40)	2.756 (70)	0.275 (7)	0.275 (7)	2.165 (55)	1.772 (45)
<b>MA15</b>	NPT 1/4 (G1/4) NPT 3/8 (G3/8) NPT 1/2 (G1/2)	NPT 1/8 (G1/8)	Inch (mm)	6.14 (156)	11.02 (280)	4.921 (125)	2.165 (55)	2.008 (51)	3.543 (90)	0.354 (9)	0.354 (9)	3.15 (80)	1.772 (45)
<b>MA17</b>	NPT 3/4 (G3/4)	NPT 1/4 (G1/4)	Inch (mm)	7.87 (200)	14.57 (370)	5.12 (130)	2.756 (70)	2.008 (51)	3.937 (100)	0.472 (12)	0.394 (10)	3.15 (80)	1.772 (45)
<b>MA17</b>	NPT 1 (G1)	NPT 1/4 (G1/4)	Inch (mm)	7.87 (200)	14.57 (370)	5.12 (130)	2.756 (70)	2.008 (51)	3.937 (100)	0.472 (12)	0.394 (10)	3.15 (80)	1.772 (45)

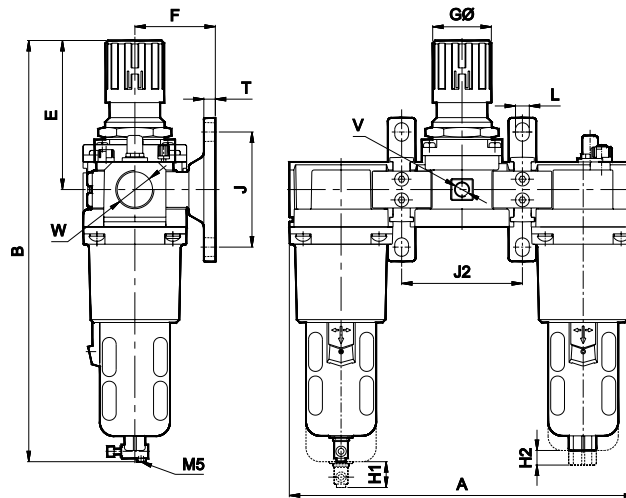


# FRL MODULAR - SERIES MA

## MODEL MA13FRL THRU MA15FRL- WALL MOUNTING BRACKET

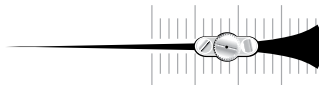


## MODEL MA17FRL - WALL MOUNTING BRACKET



### WALL MOUNT

MODEL	W	V		A	B	E	F	GØ	J	L	T	H1	H2	J2
<b>MA13</b>	NPT 1/8 (G1/8) NPT 1/4 (G1/4)	NPT 1/8 (G1/8)	Inch (mm)	5.75 (146)	6.69 (170)	2.677 (68)	1.378 (35)	1.102 (28)	1.968 (50)	0.275 (7)	0.275 (7)	1.968 (50)	1.378 (35)	2.047 (52)
<b>MA14</b>	NPT 1/4 (G1/4) NPT 3/8 (G3/8)	NPT 1/8 (G1/8)	Inch (mm)	7.56 (192)	8.66 (220)	3.74 (95)	1.772 (45)	1.575 (40)	2.756 (70)	0.275 (7)	0.275 (7)	2.165 (55)	1.772 (45)	2.716 (69)
<b>MA15</b>	NPT 1/4 (G1/4) NPT 3/8 (G3/8) NPT 1/2 (G1/2)	NPT 1/8 (G1/8)	Inch (mm)	9.49 (241)	11.02 (280)	4.921 (125)	2.165 (55)	2.008 (51)	3.543 (90)	0.354 (9)	0.354 (9)	3.15 (80)	1.772 (45)	3.386 (86)
<b>MA17</b>	NPT 3/4 (G3/4)	NPT 1/4 (G1/4)	Inch (mm)	11.8 (300)	14.41 (366)	5.118 (130)	2.756 (70)	2.008 (51)	3.94 (100)	0.472 (12)	0.394 (10)	3.15 (80)	1.772 (45)	4.134 (105)
<b>MA17</b>	NPT 1 (G1)	NPT 1/4 (G1/4)	Inch (mm)	11.8 (300)	14.41 (366)	5.118 (130)	2.756 (70)	2.008 (51)	3.94 (100)	0.472 (12)	0.394 (10)	3.15 (80)	1.772 (45)	4.134 (105)

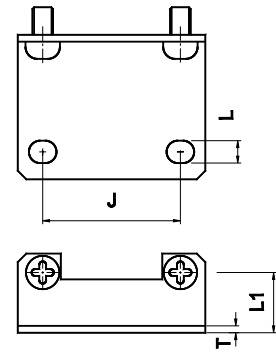


## ACCESSORIES - CLAMPS

CLAMP FOR FILTER,  
LUBRICATOR



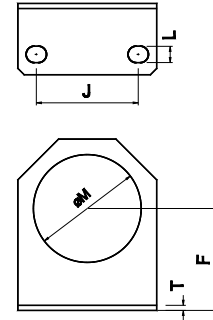
MODEL		J	L	L1	T	ORDERING NO.
MA13	Inch	1.102	0.216	0.551	0.079	MA13FB
	mm	28	5.5	14	2	
MA14	Inch	1.575	0.256	0.69	0.079	MA14FB
	mm	40	6.5	17.5	2	
MA15	Inch	2.165	0.335	0.87	0.079	MA15FB
	mm	55	8.5	22	2	
MA17	Inch	2.60	0.43	1.30	0.20	MA17FB
	mm	66	11	33	5	



CLAMP FOR REGULATOR



MODEL		ØM	F	L	J	T	ORDERING NO.
MA13	Inch	1.2	1.181	0.216	1.102	0.079	MA13RB
	mm	30.5	30	5.5	28	2	
MA14	Inch	1.673	1.575	0.256	1.575	0.079	MA14RB
	mm	42.5	40	6.5	40	2	
MA15	Inch	2.067	1.968	0.335	2.165	0.079	MA15RB
	mm	52.5	50	8.5	55	2	
MA17	Inch	2.067	2.756	0.433	2.598	0.197	MA17RB
	mm	52.5	70	11	66	5	

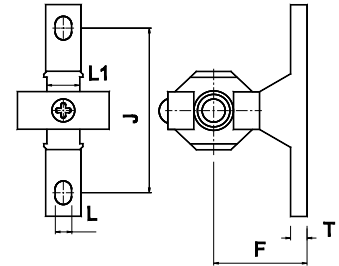


## ACCESSORIES - FOR MODULAR CONSTRUCTION

WALL MOUNTING  
BRACKET



MODEL		L1	J	L	F	T	ORDERING NO.
MA13	Inch	0.472	1.968	0.275	1.378	0.275	A2W01
	mm	12	50	7	36	7	
MA14	Inch	0.551	2.756	0.275	1.772	0.275	A2W02
	mm	14	70	7	45	7	
MA15	Inch	0.63	3.543	0.354	2.165	0.354	A2W03
	mm	16	90	9	55	9	
MA17	Inch	0.59	3.94	0.472	2.76	0.39	A2W04
	mm	15	100	12	70	10	



**How to Order:**  
Example:

Mention the ordering number required  
Wall Mounted Bracket for 3/8 Filer, Regulator, Lubricator Series F14, R14, L14 : Ordering no: A2W02

REPLACEMENT FILTERS		
Description		Part Number
MA13	5 Micron Filter Element	MA13FK05
MA13	25 Micron Filter Element	MA13FK25
MA13	50 Micron Filter Element	MA13FK50
MA14	5 Micron Filter Element	MA14FK05
MA14	25 Micron Filter Element	MA14FK25
MA14	50 Micron Filter Element	MA14FK50
MA15	5 Micron Filter Element	MA15FK05
MA15	25 Micron Filter Element	MA15FK25
MA15	50 Micron Filter Element	MA15FK50
MA17	5 Micron Filter Element	MA17FK05
MA17	25 Micron Filter Element	MA17FK25
MA17	50 Micron Filter Element	MA17FK50

