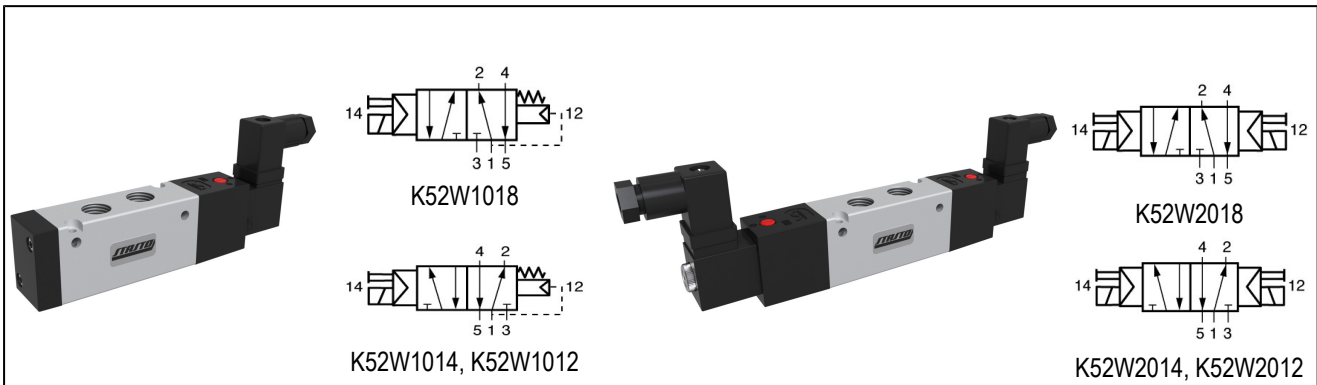


## 5/2-way solenoid valve pilot-operated, 1/8" ... 1/2" series K52W

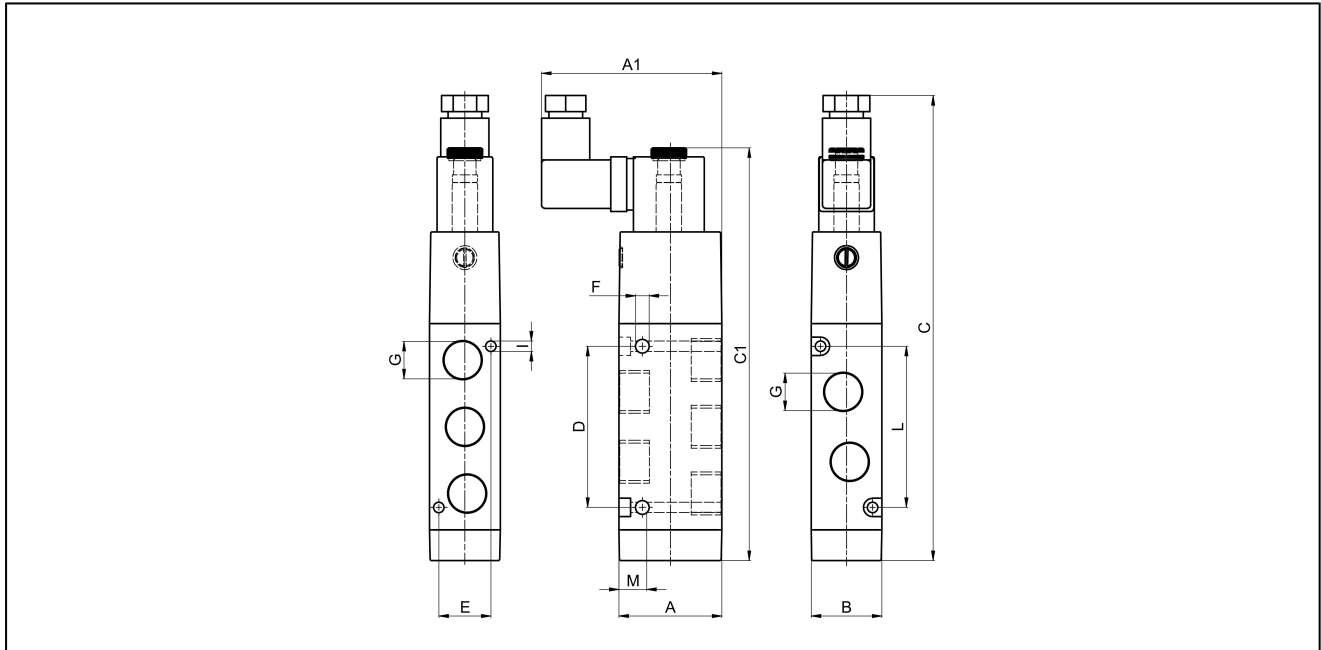


design	5/2-way solenoid valve pilot-operated, actuation electrical/spring respectively electrical/electrical, manual emergency override
connection	G1/8" ... G1/2" according to ISO228/1
materials	body nickel-plated aluminum, spool aluminum, seals NBR
type of fixing	through-holes in the valve body
mounting position	any
medium	filtered and lubricated or non lubricated compressed air
medium temperature	0...+40°C
ambient temperature	-10...+50°C
<b>electrical data:</b>	
type of coil	CS, connector size 16mm
standard voltage	230V/50-60Hz, 24V/50-60Hz, 24VDC
special voltage	115V/50-60Hz, 12VDC, more on request
acceptable voltage tolerance	±10%
consumption	see table "coil"
duty cycle	100% duty cycle (continuous operation)
protection class	IP65 according to EN 60529 for a correctly mounted connector (protection against the penetration of dust and jet water)
<b>informations:</b>	
application	valve size 1/8" only with silencer series SLN-RB
scope of supply	with connector cable inlet M12x1
	please specify voltage and type of current by order
	technical documents for sub-base: see separate datasheet
	CAD-files can be loaded on the STASTO Store under <a href="http://www.stasto.eu">www.stasto.eu</a>

### type code

K	52	W	1	0	18	CS - 230/50-60Hz
			1		18	230V/50-60Hz
			2		14	115V/50-60Hz
					12	24V/50-60Hz
						24VDC
						12VDC

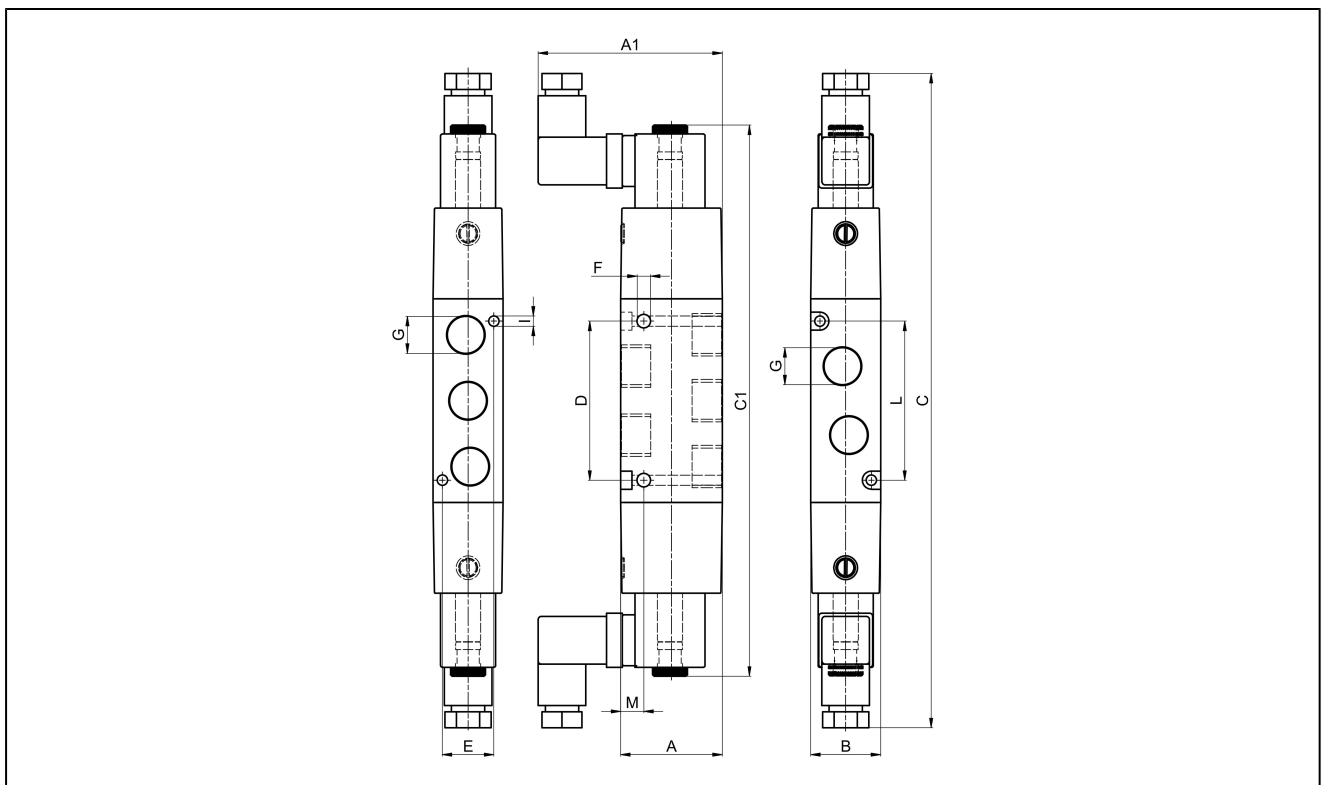
### K52W101. actuation electrical/spring



connection G	nominal diameter DN [mm]	pressure range [bar]	A	A1	B	C	C1	D	E	F	I	L	M	flow rate* [Nl/min]	type
G1/8"	6	2,5...9	28	53	18	112,5	125,5	35	13	3,2	3,2	35	8	730	K52W1018
G1/4"	8	2,5...9	32	55	22	142,5	129	50	16,2	4,2	3,5	50	7,3	1300	K52W1014
G1/2"	14	2,5...9	50	75	30	180	166	46	-	5,2	-	-	11	4000	K52W1012

\*reference pressure 6bar, reference temperature 20°C

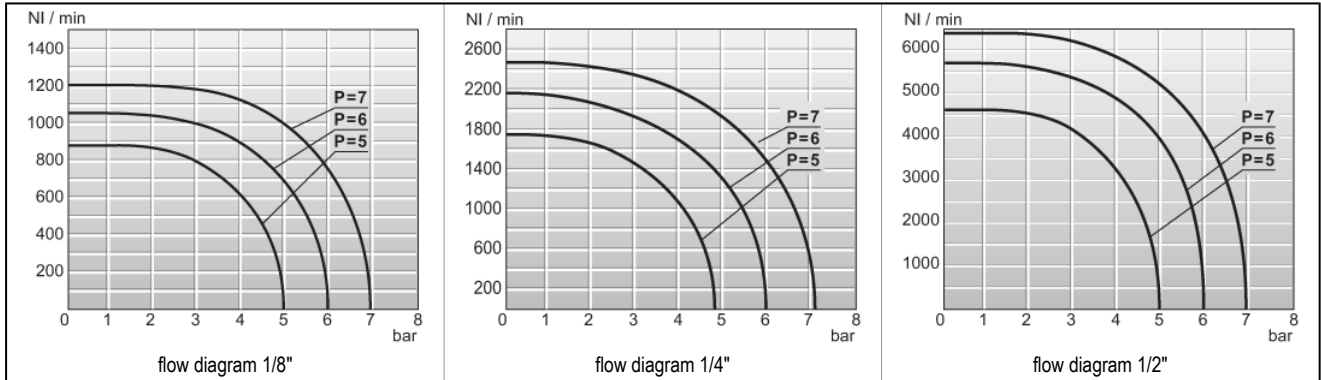
### K52W201. actuation electrical/electrical



connection G	nominal diameter DN [mm]	pressure range [bar]	A	A1	B	C	C1	D	E	F	I	L	M	flow rate* [Nl/min]	type
G1/8"	6	1,5...9	28	53	18	180	152	35	13	3,2	3,2	35	8	730	K52W2018
G1/4"	8	1,5...9	32	55	22	202	174	50	16,2	4,2	3,5	50	7,3	1300	K52W2014
G1/2"	14	1,5...9	50	75	30	240	210	45,6	-	5,2	-	-	11	4000	K52W2012

\*reference pressure 6bar, reference temperature 20°C

## flow diagram



## coil

	voltage	consumption at 20 °C	type
	12V DC	2,4W	CS01200
	24V DC	2,4W	CS02400
	24V/50-60Hz	3,5VA	CS02450
	115V/50-60Hz	3,5VA	CS11550
	230V/50-60Hz	3,5VA	CS23050

details for connector see separate datasheet

## switching time

connection G	switching time [ms]	
	AC ON/from	DC ON/from
G1/8"	37	59
G1/4"	37	59
G1/2"	77	91

illustrations are for information only and are non-binding  
all designs, configurations, measurements and materials are subject to change without prior notice