

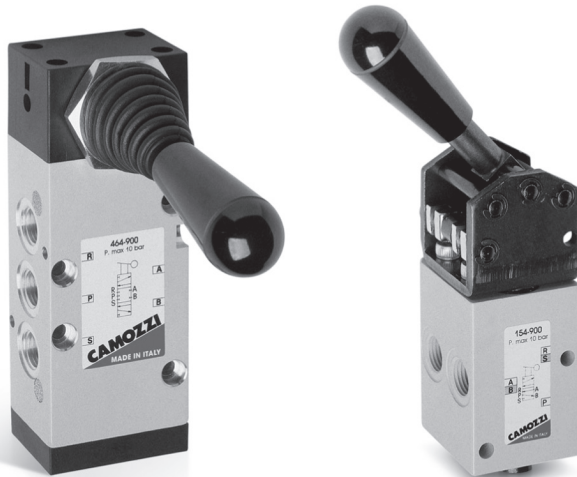
Manually operated valves Series 1, 3, 4 and VMS

Series 1, 3 and 4: 3/2, 5/2 and 5/3-way CC CO CP

Ports G1/8 - G1/4

Series VMS: 3/2-way

Ports G1/8 - G1/4 - G3/8 - G1/2



The manual valves Series 3 (G1/8) and Series 4 (G1/4), 3/2 - 5/2-way and 5/3-way, are available with devices designed to satisfy different needs. The 3/2-way valves Series 3 and 4 are normally closed when 1 is the inlet; they can also be normally open when 3 is the inlet.

The 5/2-way valves for Series 3 and 4 maybe supplied via the ports 3 and 5 with two different pressures if a cylinder has to be operated using a delivery pressure which is different from the return pressure.

The Series 1 is provided with two devices : pushbutton (3/2-way) and lever (3/2 and 5/2-way).

GENERAL DATA

Construction	spool-type (Series 3 and 4) - poppet-type (Series 1) - slide (Series VMS)
Valve group	3/2 - 5/2 - 5/3 way/pos.
Materials	aluminium body, stainless steel spool, NBR seals
Ports	G1/8 - G1/4
Ambient temperature	0°C + 60°C
Medium temperature	0°C + 50°C
Operating pressure	see models
Fluid	Filtered air, without lubrication. If lubricated air is used, it is recommended to use ISO VG32 oil. Once applied the lubrication should never be interrupted.

CODING EXAMPLE

3	3	8	-	900
----------	----------	----------	----------	------------

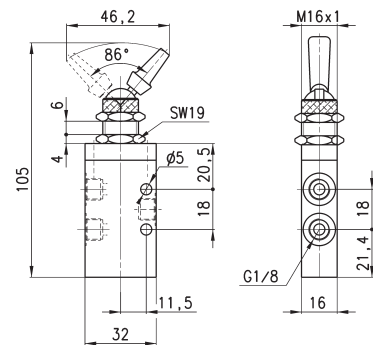
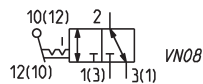
3	SERIES: 1 3 4
5	FUNCTION: 3 = 3/2-way NC 5 = 5/2-way 6 = 5/3-way CC 7 = 5/3-way CO
8	PORTS: 8 = G1/8 4 = G1/4
900	RESETTING: 895 = pushbutton, monostable, black 896 = pushbutton, monostable, green 897 = pushbutton, monostable, red 900 = lever, bistable 905 = lever, monostable 910 = knob, bistable 915 = knob, monostable 935 = digital monostable 975 = palm-switch, monostable, black 976 = palm-switch, monostable, green 977 = palm-switch, monostable, red 990 = switch, bistable

2

CONTROL

Valve

Actuating force = 18N
 Operating pressure = -0,9 ÷ 10 bar
 Flow rate = 700 NI/min.



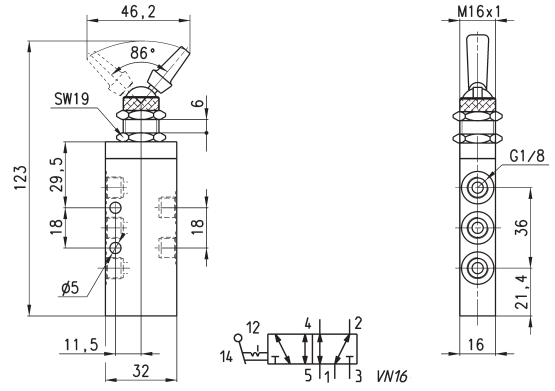
Mod.

338-990
2/4.30.02

Valve



Actuating force = 18N
 Operating pressure = -0,9 ÷ 10 bar
 Flow rate = 700 NI/min.

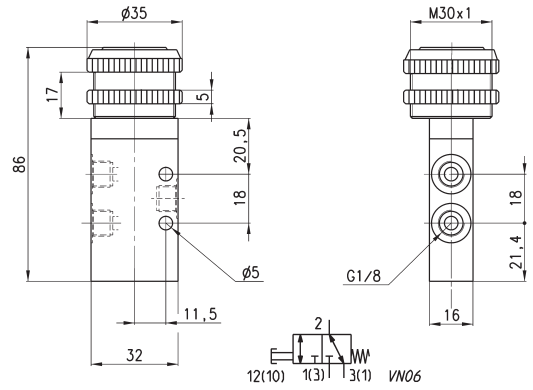


Mod.	
358-990	

Valves



Actuating force = 35N
 Operating pressure = -0,9 ÷ 10 bar
 Flow rate = 700 NI/min.

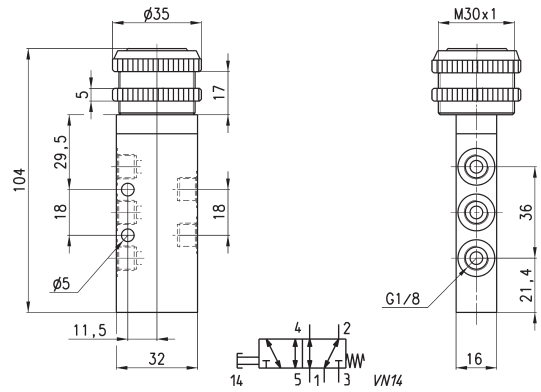


Mod.	Colors
338-895	Black
338-896	Green
338-897	Red

Valves



Actuating force = 35N
 Operating pressure = -0,9 ÷ 10 bar
 Flow rate = 700 NI/min.

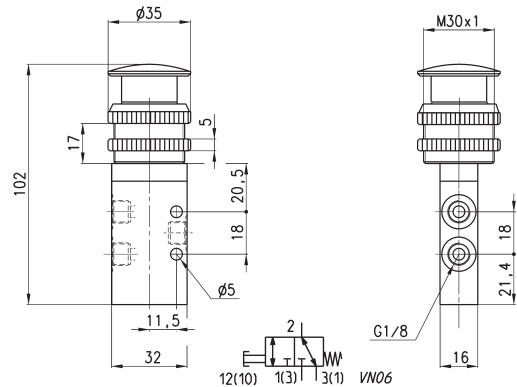


Mod.	Colors
358-895	Black
358-896	Green
358-897	Red

Valves



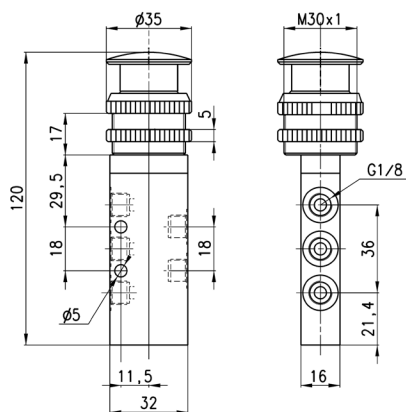
Actuating force = 35N
 Operating pressure = -0,9 ÷ 10 bar
 Flow rate = 700 NI/min.



Mod.	Colors
338-975	Black
338-976	Green
338-977	Red

Valves

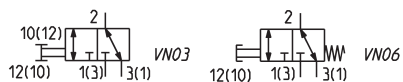
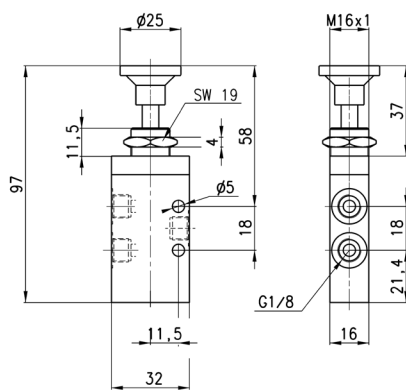

Actuating force = 35N
 Operating pressure = $-0,9 \div 10$ bar
 Flow rate = 700 NI/min.



Mod.	Colors
358-975	Black
358-976	Green
358-977	Red

Valves

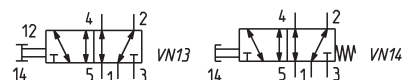
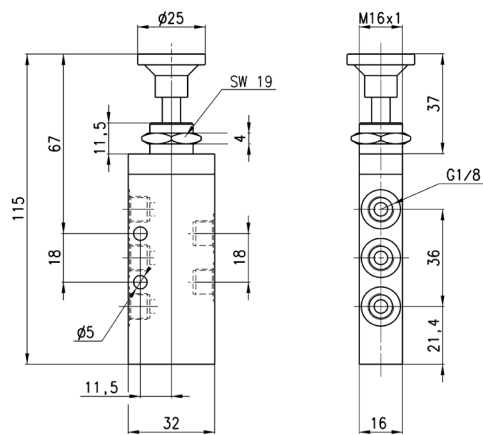

338-910 Actuating force = 6N
 338-915 Actuating force = 35N
 Operating pressure = $-0,9 \div 10$ bar
 Flow rate = 700 NI/min.



Mod.	Symbol
338-910	VN03
338-915	VN06

Valves


358-910 Actuating force = 6N
 358-915 Actuating force = 35N
 Operating pressure = $-0,9 \div 10$ bar
 Flow rate = 700 NI/min.

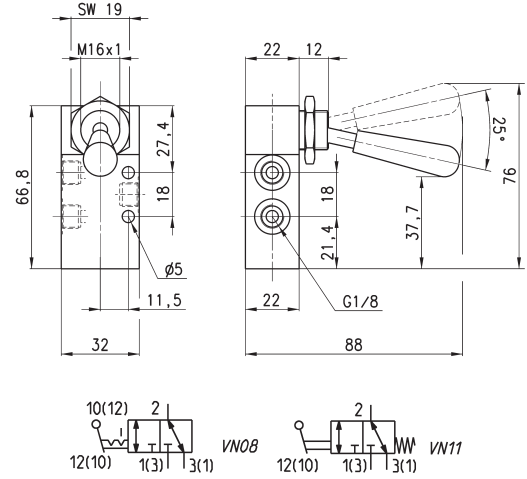


Mod.	Symbol
358-910	VN13
358-915	VN14

Valves



338-910 Actuating force = 6N
 338-915 Actuating force = 35N
 Operating pressure = -0,9 ÷ 10 bar
 Flow rate = 700 NI/min.

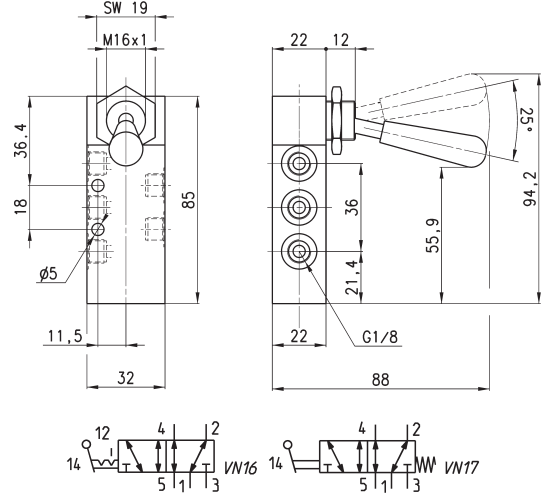


Mod.	Symbol
338-900	VN08
338-905	VN11

Valves



358-900 Actuating force = 5N
 358-905 Actuating force = 22N
 Operating pressure = -0,9 ÷ 10 bar
 Flow rate = 700 NI/min.

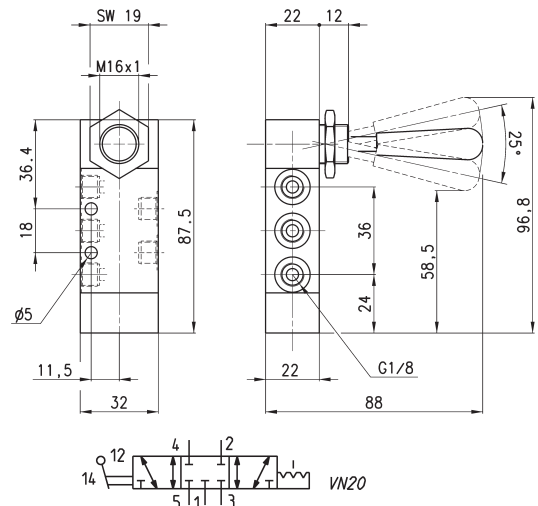


Mod.	Symbol
358-900	VN16
358-905	VN17

Valve



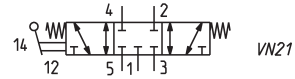
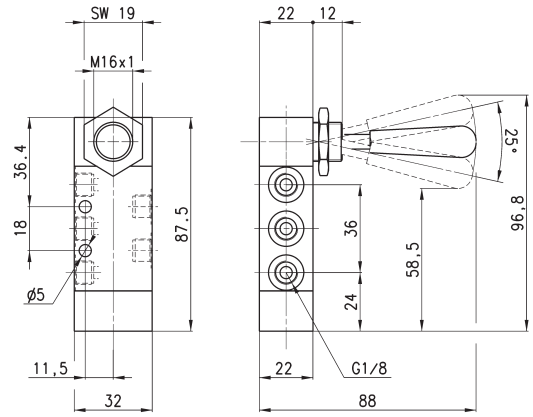
Actuating force = 5N
 Operating pressure = -0,9 ÷ 10 bar
 Flow rate = 500 NI/min.



Mod.
368-900


Valve

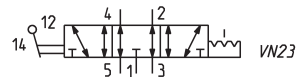
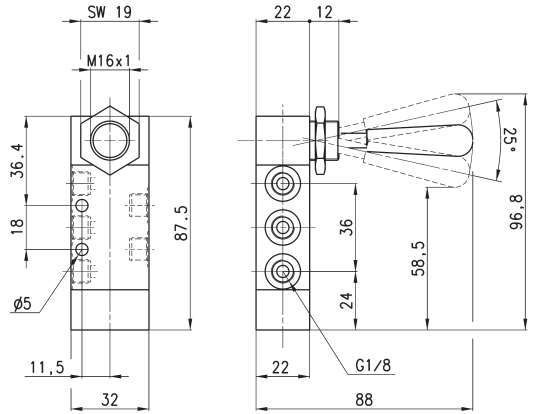
Actuating force = 20N
 Operating pressure = -0,9 ÷ 10 bar
 Flow rate = 500 NI/min.



Mod.
368-905


Valve

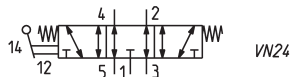
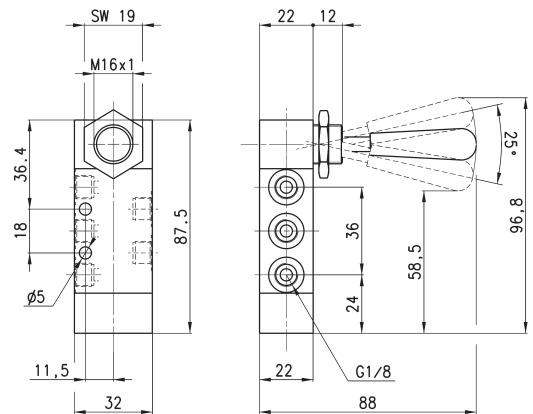
Actuating force = 5N
 Operating pressure = -0,9 ÷ 10 bar
 Flow rate = 500 NI/min.



Mod.
378-900


Valve

Actuating force = 20N
 Operating pressure = -0,9 ÷ 10 bar
 Flow rate = 500 NI/min.

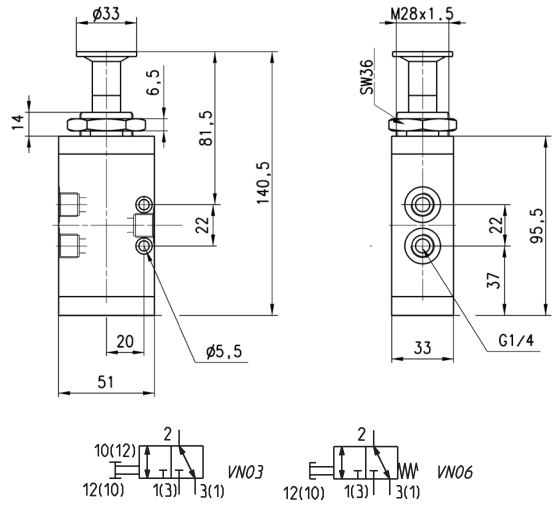


Mod.
378-905

Valves



434-910 actuating force = 10N
 434-915 actuating force = 37N
 Operating pressure = -0,9 ÷ 10 bar
 Flow rate = 1250 NI/min.

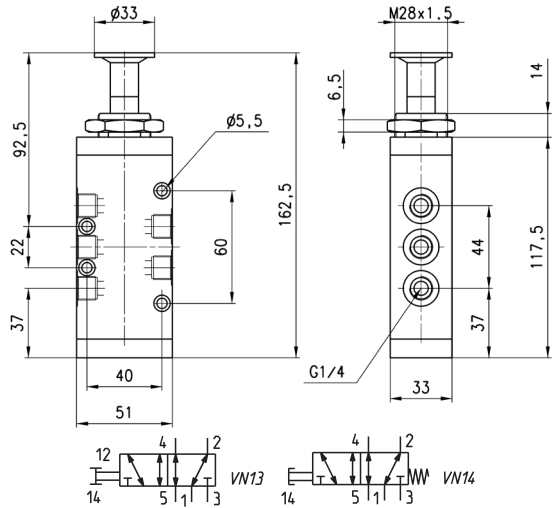


Mod.	Symbol
434-910	VN03
434-915	VN06

Valves



454-910 actuating force = 10N
 454-915 actuating force = 37N
 Operating pressure = -0,9 ÷ 10 bar
 Flow rate = 1250 NI/min.

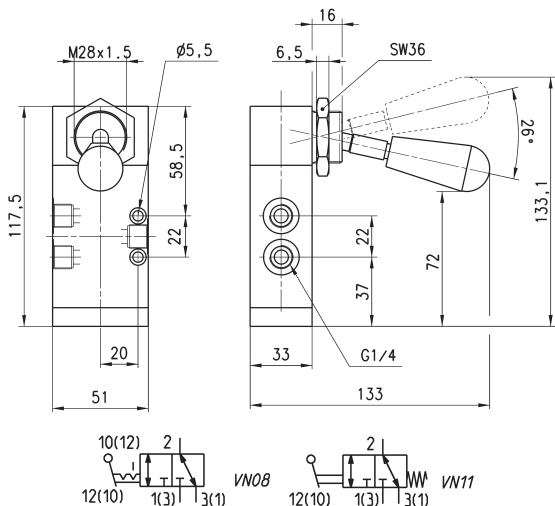


DIMENSIONS	
Mod.	Symbol
454-910	VN13
454-915	VN14

Valves



434-900 actuating force = 5N
 434-905 actuating force = 37N
 Operating pressure = -0,9 ÷ 10 bar
 Flow rate = 1250 NI/min.

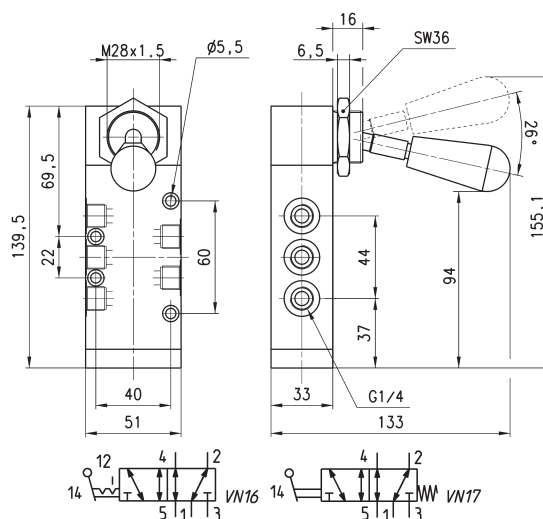


Mod.	Symbol
434-900	VN08
434-905	VN11

Valves



454-900 actuating force = 5N
 454-905 actuating force = 37N
 Operating pressure = -0,9 ÷ 10 bar
 Flow rate = 1250 NI/min.

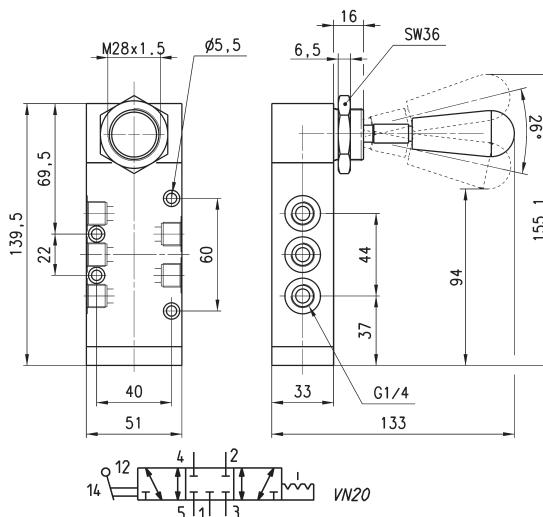


Mod.	Symbol
454-900	VN16
454-905	VN17

Valve



Actuating force = 5N
 Operating pressure = -0,9 ÷ 10 bar
 Flow rate = 1250 NI/min.

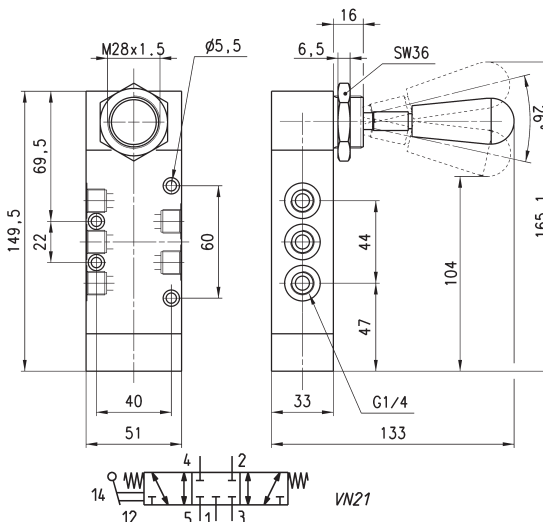


Mod.	
464-900	

Valve



Actuating force = 10N
 Operating pressure = -0,9 ÷ 10 bar
 Flow rate = 1250 NI/min.

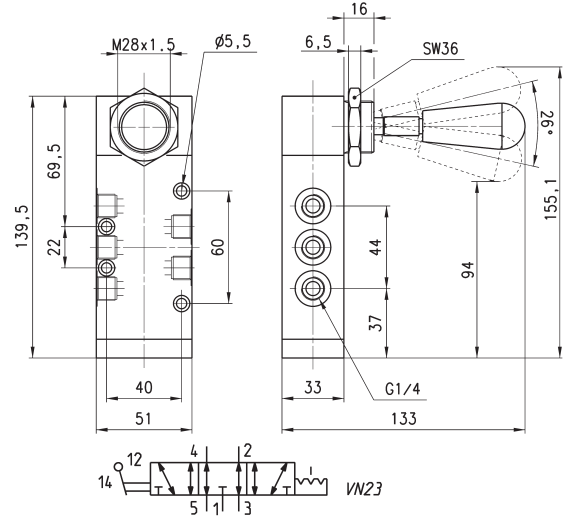


Mod.	
464-905	

Valve



Actuating force = 5N
 Operating pressure = -0,9 ÷ 10 bar
 Flow rate = 1250 NI/min.

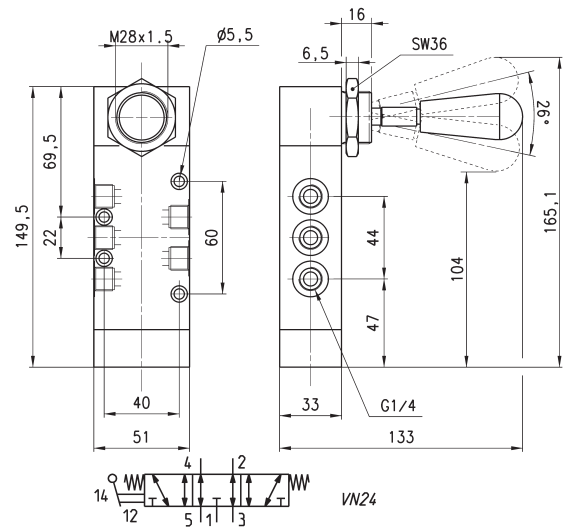


Mod.
474-900

Valve



Actuating force = 10N
 Operating pressure = -0,9 ÷ 10 bar
 Flow rate = 1250 NI/min.

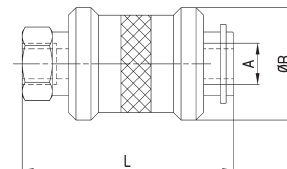


Mod.
474-905

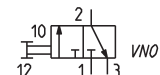
Valves



Operating pressure: 0 ÷ 8 bar
 Operating temperature: - 10 ÷ 80°C.

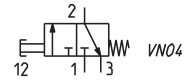
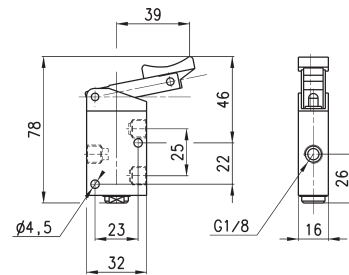


Mod.	A	ØB	L	Q* (NI/min) 1-2	Q* (NI/min) 2-3
VMS-105-M5	M5	15	33,5	140	145
VMS-118-1/8	G1/8	25	48	600	740
VMS-114-1/4	G1/4	30	58	1200	1780
VMS-138-3/8	G3/8	35	70	2100	1830
VMS-112-1/2	G1/2	40	80	3350	4030
VMS-134-3/4	G3/4	49,5	83	5350	5000




Valve

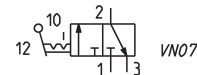
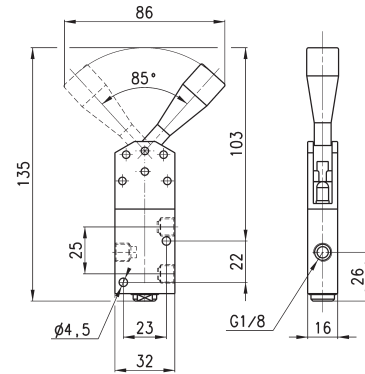
Actuating force at 6 bar = 38N
 Operating pressure = 0 ÷ 10 bar
 Flow rate = 500 NI/min.



Mod.
138-935


Valve

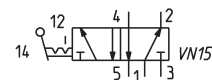
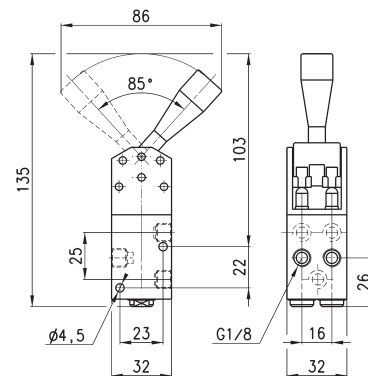
Actuating force at 6 bar = 25N
 Operating pressure = 0 ÷ 10 bar
 Flow rate = 500 NI/min.



Mod.
138-900


Valve

Actuating force at 6 bar = 45N
 Operating pressure = 0 ÷ 10 bar
 Flow rate = 500 NI/min.

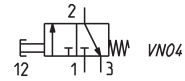
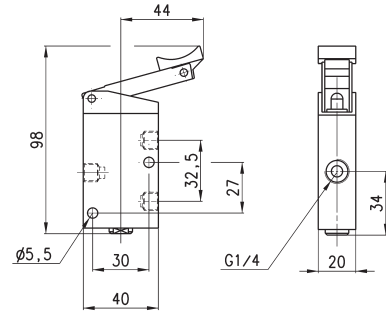


Mod.
158-900

Valve



Actuating force at 6 bar = 40N
 Operating pressure = 0 ÷ 10 bar
 Flow rate = 1250 NI/min.

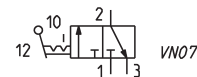
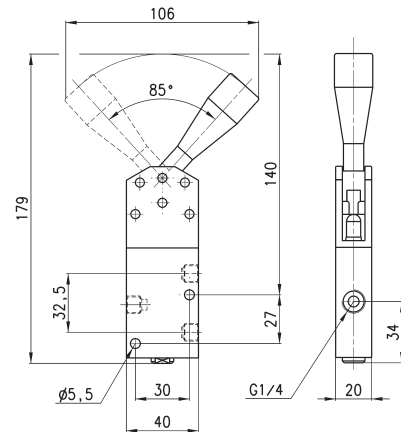


Mod.
134-935

Valve



Actuating force at 6 bar = 30N
 Operating pressure = 0 ÷ 10 bar
 Flow rate = 1250 NI/min.

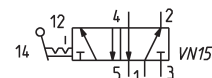
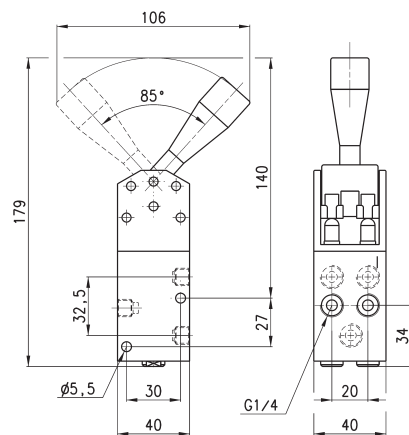


Mod.
134-900

Valve



Actuating force at 6 bar = 55N
 Operating pressure = 0 ÷ 10 bar
 Flow rate = 1250 NI/min.



Mod.
154-900