

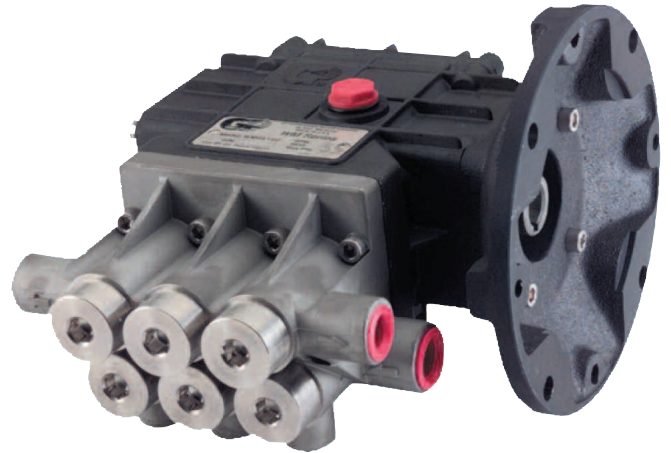
GENERAL PUMP *A member of the Interpump Group*

WM Series

Reverse Osmosis Pump - Hollow Shaft - Roller Bearing

FEATURES

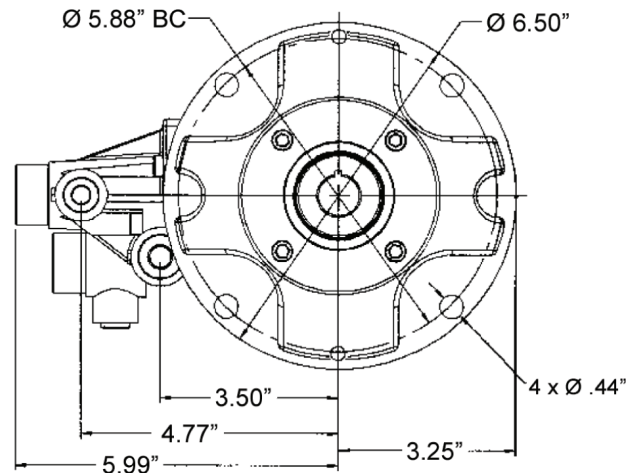
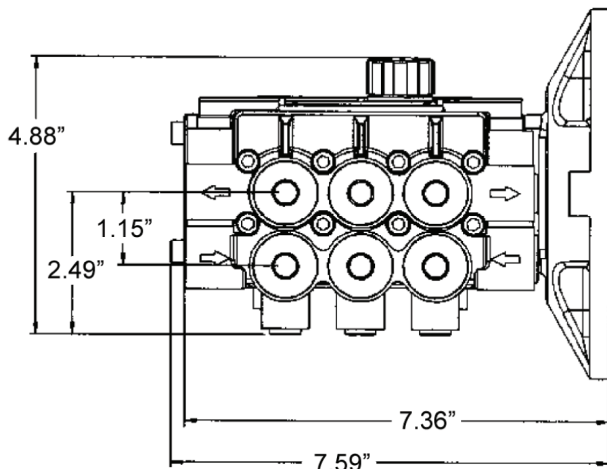
- 316 Stainless Steel Wet-End
- 300 Series Stainless Steel Fasteners
- Parallel Inlet and Outlet Valve Design for Efficiency and Easy Maintenance
- Corrosion Resistant Valve and Packing Design
- Innovative Wear Resistant High and Low Pressure Seals
- Dual Inlet and Outlet Porting
- Anodized Crankcase for Corrosion Resistance
- NEMA 56C Flange with 5/8" Hollow Shaft
- Left-handed crankshaft orientation available (add "L" to end of part number)
- Available with EPDM (add "E" to end of part number)



SPECIFICATIONS

Pump Model	WM2315C	WM3015C	WM4215C
Maximum Volume	2.3 GPM	3.0 GPM	4.2 GPM
Maximum Discharge Pressure		1500 PSI	
Maximum Pump Speed		1750 RPM	
Rated Inlet Pressure		-5 - 50 PSI	
Plunger Bore (in / mm)		.709 / 18	
Plunger Stroke (in / mm)	.295 / 7.5	.370 / 9.4	.492 / 12.5
Crankcase Oil Capacity		12.0 oz	
Maximum Fluid Temperature		140°F	
Inlet Port Thread		1/2" NPT-F	
Discharge Port Thread		3/8" NPT-F	
Shaft Diameter		5/8" Hollow	
Weight		13.5 lbs	
Dimensions		9.0" x 7.5" x 6.0"	

DIMENSIONAL DRAWING



General Pump
is a member of
the Interpump Group

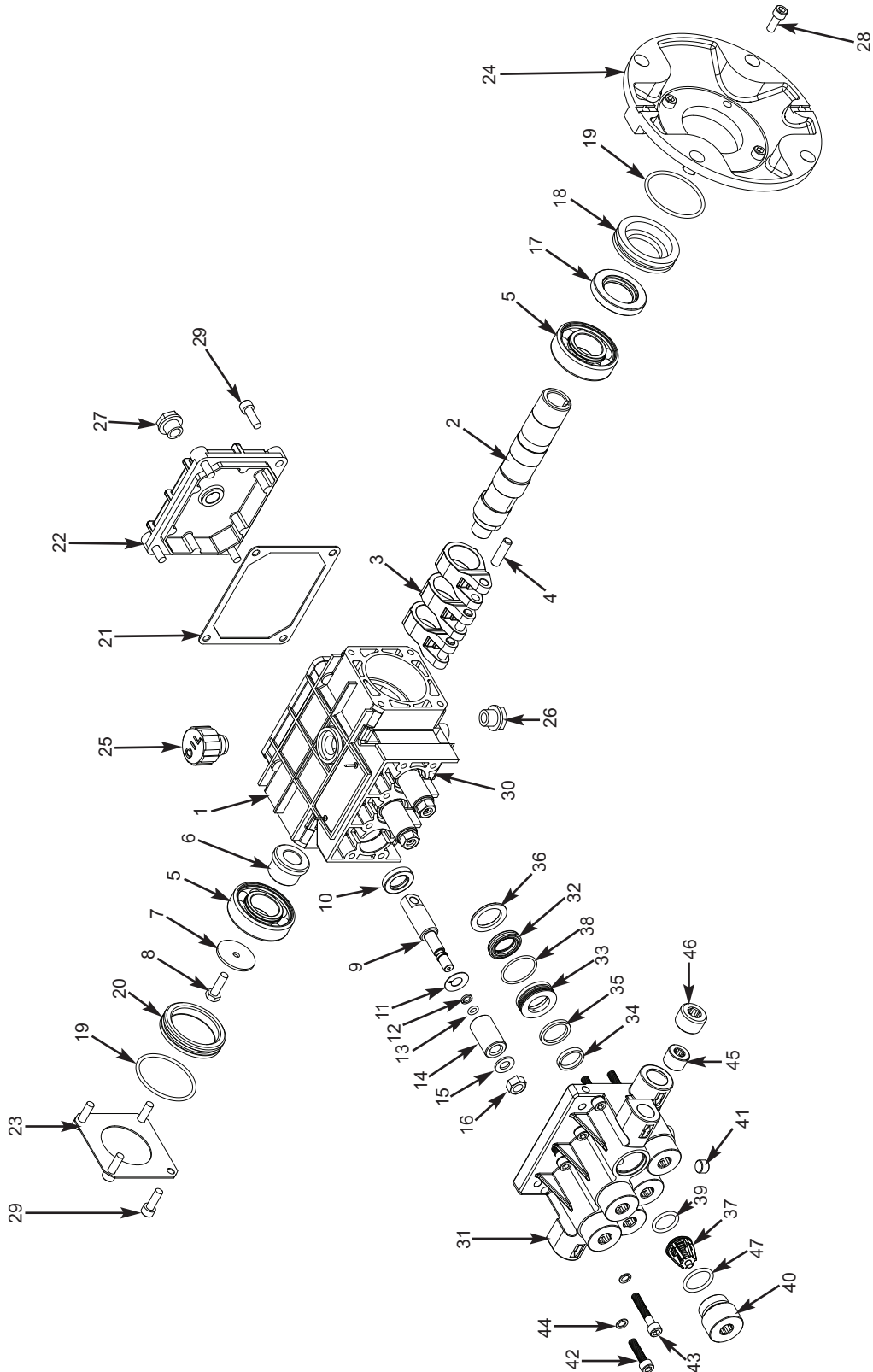
Ref 310024 Rev. F
02-15



WM Series

Reverse Osmosis Pump - Hollow Shaft - Roller Bearing

EXPLODED VIEW



Ref 310024 Rev. F
02-15

WM Series

GENERAL PUMP *A member of the Interpump Group*

Reverse Osmosis Pump - Hollow Shaft - Roller Bearing

PARTS LIST

CRANKCASE ASSEMBLY

Item	Part #	Description	QTY.
1	650000	Crankcase (Case Only)	1
2	650002	Crankshaft, 5/8" HS, WM2315C	1
	650003	Crankshaft, 5/8" HS, WM3015C	
	650005	Crankshaft, 5/8" HS, WM4215C	
	650024	Rod, Connecting	
4	650023	Wrist Pin	3
5	147001	Bearing, Crankshaft	2
6	650015	Bushing	1
7	650013	Washer, M6	1
8	200004	HHCS, M6 x 1.0 x 20	1
9	650020	Rod, Plunger	3
10	710002	Seal, Oil, 15 x 24 x 5	3
11	650021	Slinger	3
12	660024	Ring, Anti-extrusion	3
13	701501	O-ring, 70 Duro, Viton, .208 ID x .070 CS	3
	701009E	O-ring, 70 Duro, Viton, .298 ID x .070 CS, EPDM	
14	650018	Plunger, 18 mm	3
15	203401	Washer, Plunger	3
16	203000	Nut, Plunger	3
17	710005	Seal, Oil	1
18	650039	Retainer, Oil Seal	1
19	701133	O-ring	2
20	650010	Cover, Side	1
21	650048	Gasket, Rear Cover	1
22	650026	Cover, Rear	1
23	650009	Cover, Side	1
24	650034	Flange, NEMA 56C Face	1
25	650032	Cap, Oil	1
26	650031	Plug, Drain	1
27	650025	Sight Glass, Cap	1
28	200003	Screw, SHCS, M6 x 1.0 x 16	4
29	200005	Screw, SHCS, M6 x 1.0 x 18	8

WET END ASSEMBLY

Item	Part #	Description	QTY.
30	195014	Crankcase Assembly (Items 1-29), WM2315C	1
	195011	Crankcase Assembly (Items 1-29), WM2315CL	
	195019	Crankcase Assembly (Items 1-29), WM3015C	
	195009	Crankcase Assembly (Items 1-29), WM3015CL	
	195016	Crankcase Assembly (Items 1-29), WM4215C	
	195010	Crankcase Assembly (Items 1-29), WM4215CL	
31	520055	Manifold	1
32	90220000	Seal, Low Pressure	3
	710026	Seal, Low Pressure, EPDM	
33	520376	Seal, Case, Low Pressure	3
	660193	Seal, Case, Low Pressure, EPDM	
34	710010	Seal, Glyd, 18mm	3
	710028	Seal, Glyd, 18mm, EPDM	
35	710011	Seal, Square, 18mm	3
	710027	Seal, Square, 18mm, EPDM	
36	520375	Seal, Retainer	3
	660192	Seal Retainer, EPDM	
37	103042	Assembly, Valve, 316	6
38	701023	O-ring, 1.051 ID x .070 CS	3
	701023E	O-ring, 1.051 ID x .070 CS, EPDM	
39	701115	O-ring, .674 ID x .103 CS	6
	701115E	O-ring, .674 ID x .103 CS, EPDM	
40	520057	Plug, Valve	6
41	520171	Plug, 1/8-27 NPT, Hollow, Hex	1
42	200025	SHCS, M6 x 1.0 x 25mm	4
43	200026	SHCS, M6 x 1.0 x 35mm	4
44	203510	Washer, Lock	8
45	520063	3/8-18 Hollow Hex Plug, 316 SS	1
46	520062	Plug, Hollow Hex, 1/2 NPT, SS	1
47	701002	O-ring, .799 ID x .103 CS	6
	701117E	O-ring, .799 ID x .103 CS, EPDM	

REPAIR KITS

KIT NO.	WM01	WM01E (EPDM)	WM02*	WM02E* (EPDM)
ITEM NO'S INCLUDED IN KIT	37, 39, 47	37, 39, 47	12, 13, 32, 33, 34, 35, 36, 38	12, 13, 32, 33, 34, 35, 36, 38
NUMBER OF ASSEMBLIES IN KIT	6	6	3	3
NUMBER OF CYLINDERS KIT WILL SERVICE	3	3	3	3

*Kits WM02 and WM02E includes seal insertion tools 660062 & 660063

TORQUE SPECS*

ITEM	Ft-lbs	Nm
8	10.0	13.6
16	7.3	9.9
28	7.3	9.9
29	7.3	9.9
40	3.5	4.7
42	8.0	10.8
43	8.0	10.8

*Decrease torque by 20% if threads are lubricated.

GENERAL PUMP 1174 Northland Drive • Mendota Heights, MN 55120
 Phone: 651.686.2199 • Fax: 800.535.1745 • e-mail: sales@gpcompanies.com • www.generalpump.com

Ref 310024 Rev. F
02-15

