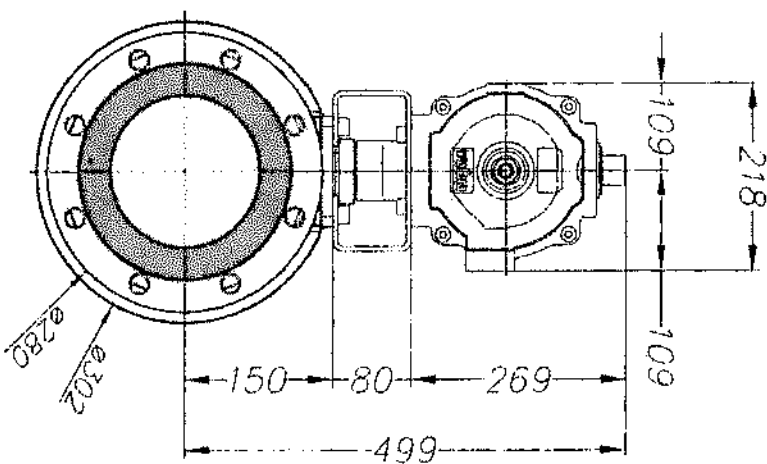
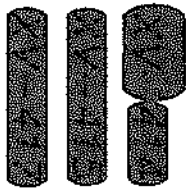
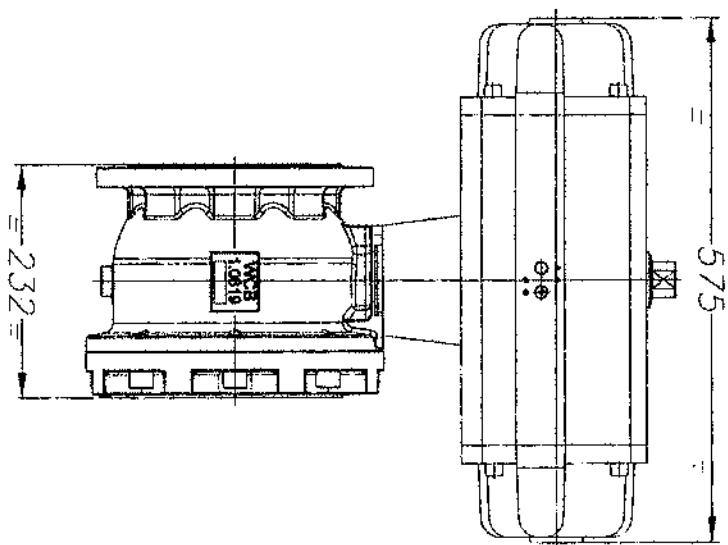


BK025720 : WAFER VALVE art. 720009 ϕ 6" ANSI 150 RF WITH PNEUMATIC ACTUATOR art. 80SR0021



N° 16 BOLT M20X55 COMPLETE OF WASHER

2 way wafer ball valve Flanged ANSI 150RF

Body made in carbon steel
ball and stem S.S. AISI 304

REV	DATE	DESCRIPTION	IN PLACE OF
1	05/03/10	Stamping	
2	05/03/10	Stamping	
3	05/03/10	Stamping	
4	05/03/10	Stamping	
5	05/03/10	Stamping	
6	05/03/10	Stamping	
7	05/03/10	Stamping	
8	05/03/10	Stamping	
9	05/03/10	Stamping	
10	05/03/10	Stamping	
11	05/03/10	Stamping	
12	05/03/10	Stamping	
13	05/03/10	Stamping	
14	05/03/10	Stamping	
15	05/03/10	Stamping	
16	05/03/10	Stamping	
17	05/03/10	Stamping	
18	05/03/10	Stamping	
19	05/03/10	Stamping	
20	05/03/10	Stamping	
21	05/03/10	Stamping	
22	05/03/10	Stamping	
23	05/03/10	Stamping	
24	05/03/10	Stamping	
25	05/03/10	Stamping	
26	05/03/10	Stamping	
27	05/03/10	Stamping	
28	05/03/10	Stamping	
29	05/03/10	Stamping	
30	05/03/10	Stamping	
31	05/03/10	Stamping	
32	05/03/10	Stamping	
33	05/03/10	Stamping	
34	05/03/10	Stamping	
35	05/03/10	Stamping	
36	05/03/10	Stamping	
37	05/03/10	Stamping	
38	05/03/10	Stamping	
39	05/03/10	Stamping	
40	05/03/10	Stamping	
41	05/03/10	Stamping	
42	05/03/10	Stamping	
43	05/03/10	Stamping	
44	05/03/10	Stamping	
45	05/03/10	Stamping	
46	05/03/10	Stamping	
47	05/03/10	Stamping	
48	05/03/10	Stamping	
49	05/03/10	Stamping	
50	05/03/10	Stamping	
51	05/03/10	Stamping	
52	05/03/10	Stamping	
53	05/03/10	Stamping	
54	05/03/10	Stamping	
55	05/03/10	Stamping	
56	05/03/10	Stamping	
57	05/03/10	Stamping	
58	05/03/10	Stamping	
59	05/03/10	Stamping	
60	05/03/10	Stamping	
61	05/03/10	Stamping	
62	05/03/10	Stamping	
63	05/03/10	Stamping	
64	05/03/10	Stamping	
65	05/03/10	Stamping	
66	05/03/10	Stamping	
67	05/03/10	Stamping	
68	05/03/10	Stamping	
69	05/03/10	Stamping	
70	05/03/10	Stamping	
71	05/03/10	Stamping	
72	05/03/10	Stamping	
73	05/03/10	Stamping	
74	05/03/10	Stamping	
75	05/03/10	Stamping	
76	05/03/10	Stamping	
77	05/03/10	Stamping	
78	05/03/10	Stamping	
79	05/03/10	Stamping	
80	05/03/10	Stamping	
81	05/03/10	Stamping	
82	05/03/10	Stamping	
83	05/03/10	Stamping	
84	05/03/10	Stamping	
85	05/03/10	Stamping	
86	05/03/10	Stamping	
87	05/03/10	Stamping	
88	05/03/10	Stamping	
89	05/03/10	Stamping	
90	05/03/10	Stamping	
91	05/03/10	Stamping	
92	05/03/10	Stamping	
93	05/03/10	Stamping	
94	05/03/10	Stamping	
95	05/03/10	Stamping	
96	05/03/10	Stamping	
97	05/03/10	Stamping	
98	05/03/10	Stamping	
99	05/03/10	Stamping	
100	05/03/10	Stamping	

MECHANICAL OUTLINE art. BK025720

DRAWING NUMBER BK025720

Rev C