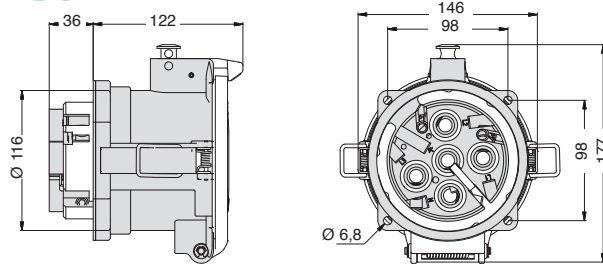


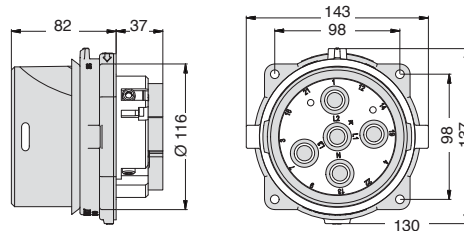
## 3PS200 - 200 / 250 A

### Embase / Socket



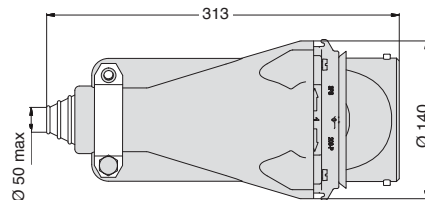
Tension / Voltage	1P+N+⊥	2P+⊥	3P+⊥	3P+N+⊥	Poids / Weight (kg)
24 V	3PS2D1NE08	3PS2D2OE08	3PS2D3OE08	3PS2D3NE08	2,40
220/250 V	3PS2D1NE01	3PS2D2OE03	3PS2D3OE03	3PS2D3NE03	
380/440 V	3PS2D1NE19	3PS2D2OE01	3PS2D3OE01	3PS2D3NE01	
660 V	-	3PS2D2OE19	3PS2D3OE19	3PS2D3NE19	

### Avant de fiche / Appliance inlet



Tension / Voltage	1P+N+⊥	2P+⊥	3P+⊥	3P+N+⊥	Poids / Weight (kg)
24 V	3PS2A1NE08	3PS2A2OE08	3PS2A3OE08	3PS2A3NE08	1,48
220/250 V	3PS2A1NE01	3PS2A2OE03	3PS2A3OE03	3PS2A3NE03	
380/440 V	3PS2A1NE19	3PS2A2OE01	3PS2A3OE01	3PS2A3NE01	
660 V	-	3PS2A2OE19	3PS2A3OE19	3PS2A3NE19	

### Fiche / Plug



Tension / Voltage	1P+N+⊥	2P+⊥	3P+⊥	3P+N+⊥	Poids / Weight (kg)
24 V	3PS2P1NE08	3PS2P2OE08	3PS2P3OE08	3PS2P3NE08	2,60
220/250 V	3PS2P1NE01	3PS2P2OE03	3PS2P3OE03	3PS2P3NE03	
380/440 V	3PS2P1NE19	3PS2P2OE01	3PS2P3OE01	3PS2P3NE01	
660 V	-	3PS2P2OE19	3PS2P3OE19	3PS2P3NE19	

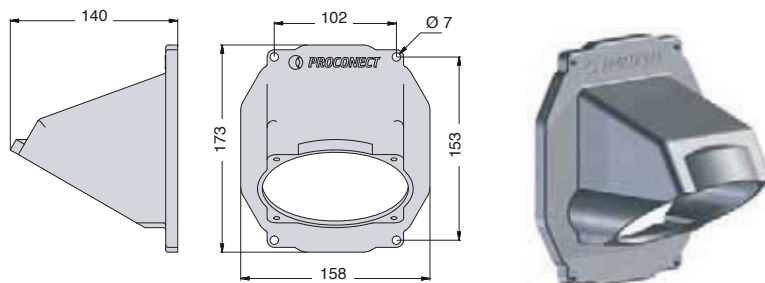
Autres tensions sur demande / Other voltage on request  
Modèles avec contacts auxiliaires sur demande / Models with auxiliary pins on request

## Poignées / Handles



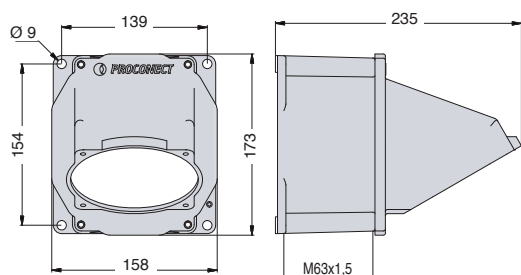
**3PS2G**  
Neoprene  
22-50 mm

## Manchon incliné 30° / Inclined box 30°



**3PS2-LB**  
Application encastrée / Panel mounting  
Poids / Weight : 0,57 kg

## Socle mural 30° / Wall Box 30°



**3PS2WA-S**  
(M63 x 1.5)  
Application murale / Wall mounting  
Poids / Weight : 2,16 kg

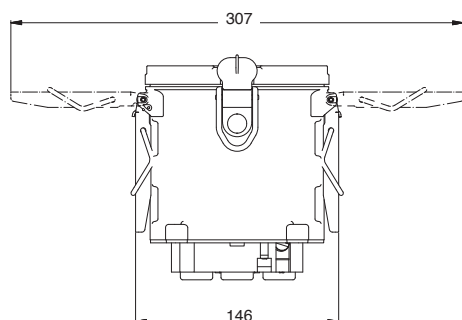


## Bouchon de fiche / Plug cap



**3PS2-PC**

## Bras de fermeture / Locking arms \*



**3PS-BFR**



\* Montés en standard sur les 3PS9D et 3PS2D / Delivered mounted on sockets 3PS9D and 3PS2D