

R2E190-RA26-05

# AC centrifugal fan - RadiCal

backward curved, single inlet



**ebm-papst Mulfingen GmbH & Co. KG**

Bachmühle 2

D-74673 Mulfingen

Phone: +49(0)7938/81-0

Fax: +49(0)7938/81-110

info1@de.ebmpapst.com

www.ebmpapst.com

## Nominal data

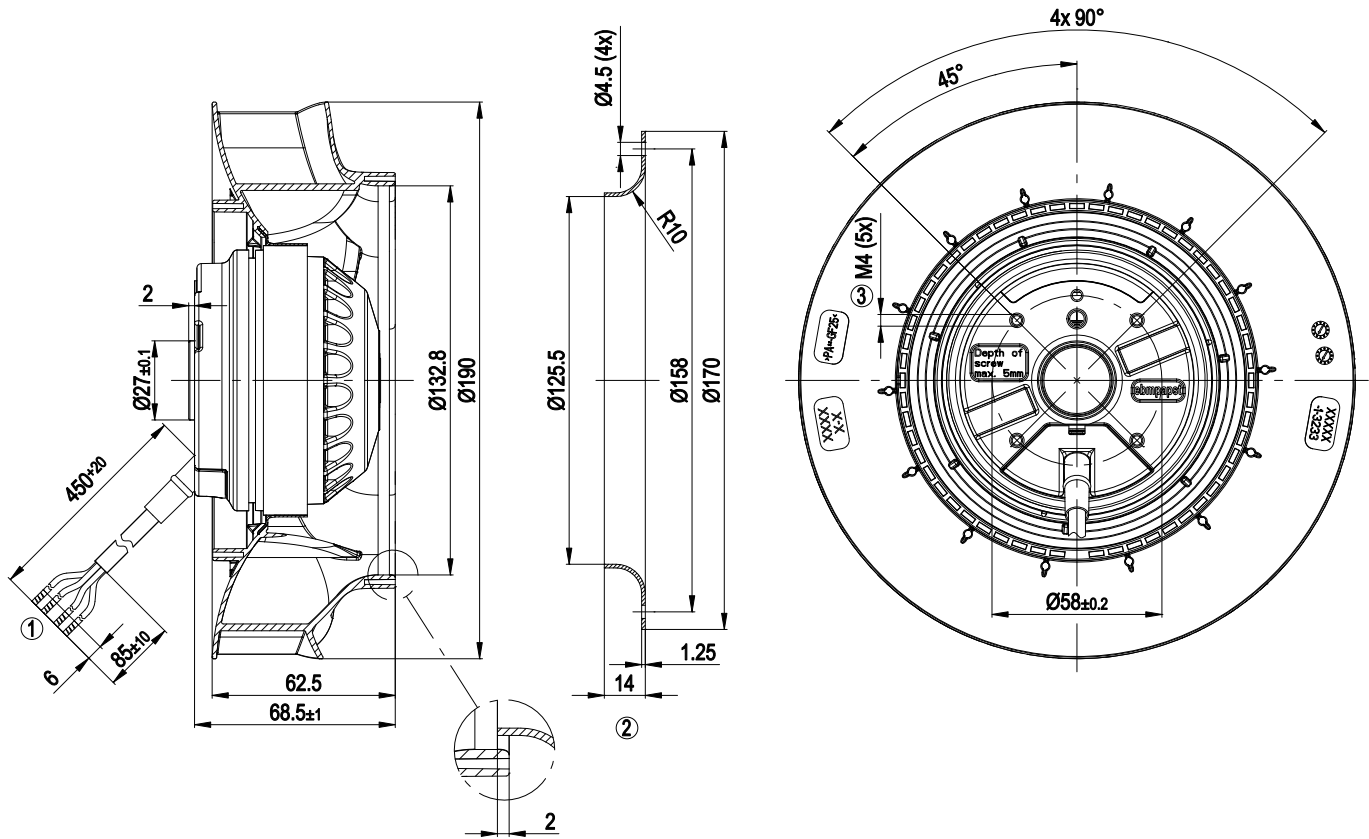
|                               |                      |         |         |
|-------------------------------|----------------------|---------|---------|
| Type                          | R2E190-RA26-05       |         |         |
| Motor                         | M2E068-BF            |         |         |
| Phase                         |                      | 1~      | 1~      |
| Nominal voltage               | [V]                  | 230     | 230     |
| Frequency                     | [Hz]                 | 50      | 60      |
| Type of data definition       |                      | rfa     | rfa     |
| Valid for approval / standard |                      | CE      | CE      |
| Speed                         | [min <sup>-1</sup> ] | 2480    | 2720    |
| Power input                   | [W]                  | 48      | 60      |
| Current draw                  | [A]                  | 0.22    | 0.27    |
| Motor capacitor               | [μF]                 | 1.5     | 1.5     |
| Capacitor voltage             | [VDB]                | 400     | 400     |
| Capacitor standard            |                      | P0 (CE) | P0 (CE) |
| Min. back pressure            | [Pa]                 | 0       | 0       |
| Max. ambient temperature      | [°C]                 | 65      | 75      |

ml = max. load · me = max. efficiency · rfa = running at free air · cs = customer specs · cu = customer unit  
Subject to alterations

### Technical features

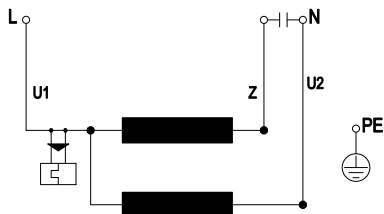
|   |   |
|---|---|
| Leakage current   | < 0.75 mA   |
| Size  | 190 mm  |
| Operation mode  | S1  |
| Direction of rotation                                   | Clockwise, seen on rotor  |
| Mounting position                                       | Shaft horizontal or rotor on bottom; rotor on top on request    |
| Humidity class  | F1-2  |
| Insulation class  | "B"   |
| Cable exit  | Variable  |
| Condensate discharge holes                              | Rotor-side  |
| Bearing motor   | Ball bearing  |
| Mass  | 1.2 kg  |
| Material of impeller                                    | Plastic PA6, fibreglass-reinforced                              |
| Motor protection  | Thermal overload protector (TOP) wired internally               |
| Product conforming to standard                          | CE; EN 60335-1  |
| Surface of rotor  | Coated in black   |
| Number of blades  | 7   |
| Type of protection                                      | IP 44; Depending on installation and position as per EN 60034-5 |
| Protection class  | I   |
| Max. permissible ambient motor temp. (transp./ storage) | + 80 °C   |
| Min. permissible ambient motor temp. (transp./storage)  | - 40 °C   |
| Approval  | CCC; GOST   |

## Product drawing



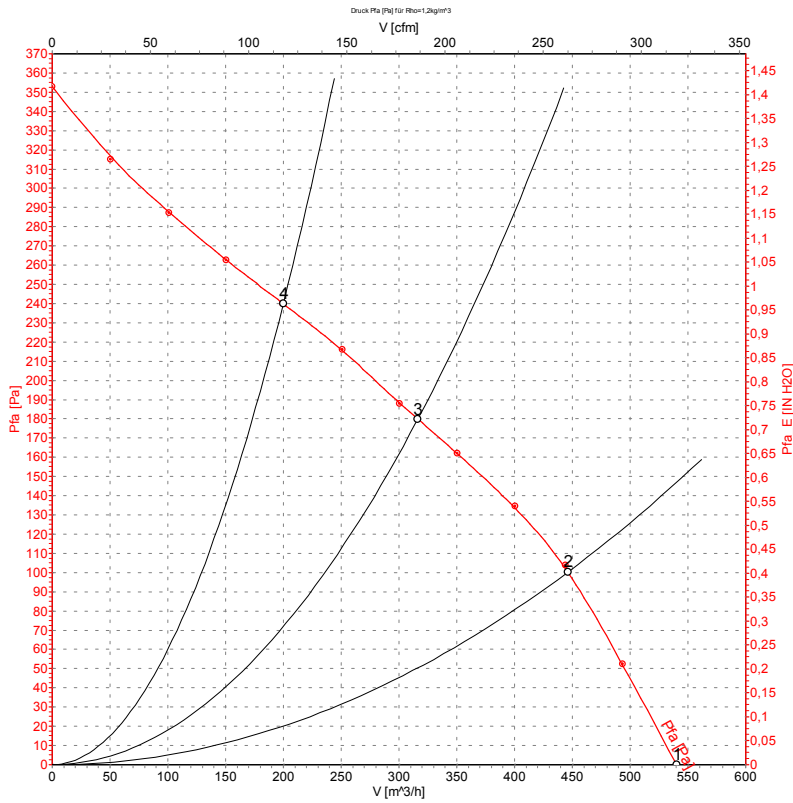
- |   |   |
|---|---|
| 1 | Connection line H03VV-F4G0.5, 4x brass lead tips crimped                                  |
| 2 | Accessory part: Inlet nozzle 09576-2-4013, not included in the standard scope of delivery |
| 3 | Depth of screw max. 5 mm  |

## Connection screen



|    |              |   |       |    |       |
|----|--------------|---|-------|----|-------|
| U1 | blue         | Z | brown | U2 | black |
| PE | green/yellow |   |       |    |       |

## Charts: Air flow 50 Hz

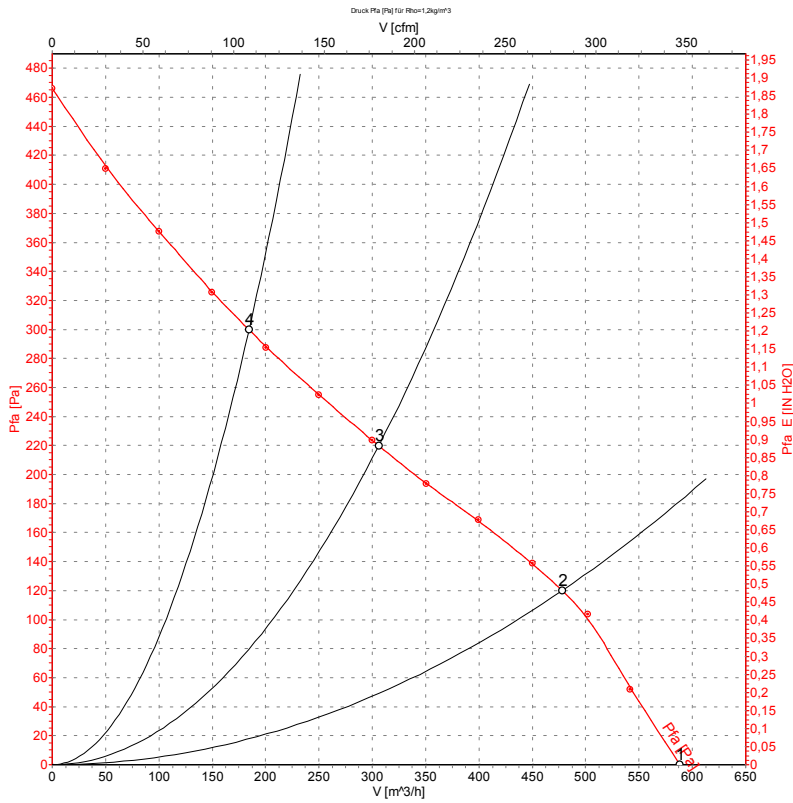


Measurement: LU-125749

## Measured values

|   | U   | f    | n                    | P <sub>1</sub> | I    | LpA <sub>ss</sub> | LwA <sub>ss</sub> | Ṃ      | p <sub>fa</sub> |
|---|-----|------|----------------------|----------------|------|-------------------|-------------------|--------|-----------------|
|   | [V] | [Hz] | [min <sup>-1</sup> ] | [W]            | [A]  | [dB(A)]           | [dB(A)]           | [m³/h] | [Pa]            |
| 1 | 230 | 50   | 2480                 | 48             | 0.22 | 58                | 66                | 540    | 0               |
| 2 | 230 | 50   | 2440                 | 49             | 0.22 | 55                | 63                | 445    | 100             |
| 3 | 230 | 50   | 2370                 | 52             | 0.23 | 52                | 60                | 315    | 180             |
| 4 | 230 | 50   | 2435                 | 50             | 0.22 | 54                | 62                | 200    | 240             |

## Charts: Air flow 60 Hz



Measurement: LU-125753

### Measured values

|   | U   | f    | n                    | P <sub>1</sub> | I    | LpA <sub>ss</sub> | LwA <sub>ss</sub> | Ŷ                   | p <sub>fa</sub> |
|---|-----|------|----------------------|----------------|------|-------------------|-------------------|---------------------|-----------------|
|   | [V] | [Hz] | [min <sup>-1</sup> ] | [W]            | [A]  | [dB(A)]           | [dB(A)]           | [m <sup>3</sup> /h] | [Pa]            |
| 1 | 230 | 60   | 2720                 | 60             | 0.27 | 60                | 68                | 590                 | 0               |
| 2 | 230 | 60   | 2635                 | 62             | 0.27 | 58                | 65                | 480                 | 120             |
| 3 | 230 | 60   | 2510                 | 65             | 0.28 | 54                | 61                | 305                 | 220             |
| 4 | 230 | 60   | 2670                 | 61             | 0.27 | 59                | 66                | 185                 | 300             |