

Sender: \_\_\_\_\_

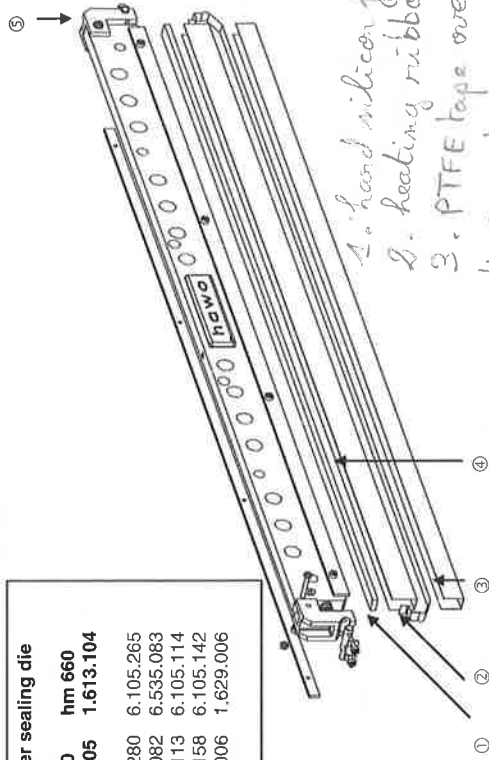
To: \_\_\_\_\_

5.6 Replacement parts order – allocation of article numbers

Your order no.	Date	Serial number	Qty.
<input checked="" type="checkbox"/>			
<b>Machine model</b>	<b>Designation</b>	<b>Art. no.</b>	<b>Qty.</b>
<input type="checkbox"/>	hm 460 AS-V, hm 660 AS-V		
<input type="checkbox"/>	Lift magnet 230V	6.581.001	
<input type="checkbox"/>	Lift magnet 115V	6.581.002	
<input type="checkbox"/>	Lift magnet 100V	6.581.009	
<input type="checkbox"/>	Relay 30A 240VAC	6.551.016	
<input type="checkbox"/>	Relay 10A 12VDC	6.551.017	
<input type="checkbox"/>	DMS module	1.410.032	
<input type="checkbox"/>	HTR 800 controller 100-240V	1.461.015	
<input type="checkbox"/>	Fuse 230V 16AT	6.520.029	
<input type="checkbox"/>	Fuse 115V 20AT	6.520.082	
<input type="checkbox"/>	Fan 230V	6.212.019	
<input type="checkbox"/>	Fan 115V/100V	6.212.021	
<input type="checkbox"/>	hm 460 AS-VP, hm 660 AS-VP		
<input type="checkbox"/>	Cylinder	6.322.005	
<input type="checkbox"/>	hm 460 AS-VP, hm 660 AS-VP		
<input type="checkbox"/>	Way valve	6.323.026	
<input type="checkbox"/>	hm 460 AS-VP, hm 660 AS-VP		
<input type="checkbox"/>	Throttle-type non-return valve	6.323.018	

Signature \_\_\_\_\_

Upper sealing die	
hm 460	hm 660
1.613.105	1.613.104
1	6.105.280 6.105.265
2	6.535.082 6.535.083
3	6.105.113 6.105.114
4	6.105.158 6.105.142
5	1.629.006 1.629.006



Lower sealing die	
hm 460	hm 660
1.613.103	1.613.106
1	6.105.150 6.105.151
2	6.535.082 6.535.083
3	6.105.113 6.105.114
4	1.629.006 1.629.006
5	6.181.003 6.181.003

