

# Self-priming centrifugal pumps

## BG Series



Close-coupled centrifugal pumps with built-in ejector system, designed to remain primed even in the presence of water-dissolved gases. The extensive use of pressed stainless steel ensures a high-performance, durable and lightweight pump.



- "GARDEN" VERSION AVAILABLE WITH HANDLE, TERMINAL BOX WITH INCORPORATED SWITCH AND 2 m CABLE WITH PLUG
- EXTENSIVE USE OF AISI 304 OR AISI 316 STAINLESS STEEL
- IP 55 MOTOR PROTECTION

### APPLICATIONS

- Water handling for domestic use.
- Lawn sprinkling.
- Composition of surge tank units for pressure boosting in various applications.
- Washing and transfer.

### SPECIFICATIONS

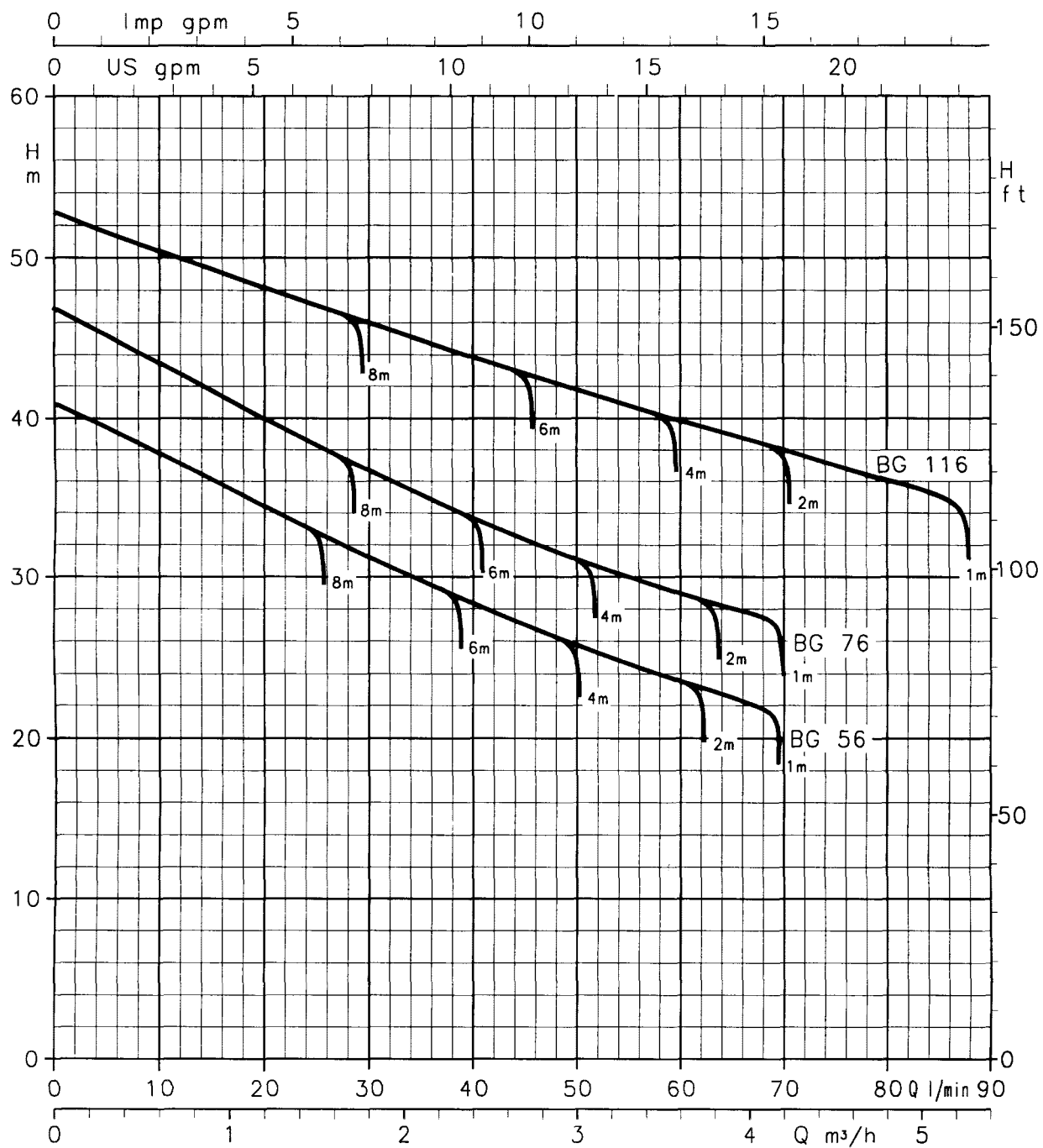
- **Delivery:** up to **78 l/min.**
- **Head:** up to **53 m**
- **Maximum operating pressure:** **8 bar.**
- **Maximum total lift 8 m** (1"¼ suction pipe and foot valve for water at 20°C).
- **Continuous duty.**
- **Temperature of pumped liquid:** **-10°C to 40°C.**
- Enclosed motor with external ventilation and **aluminium alloy finned casing.**
- Versions:
  - Single-phase** 220-230/115 V 60 Hz, permanently connected capacitor and built-in automatic reset overload protection.
  - Three-phase** 220-230/380-400 V 60 Hz, thermal overload protection to be provided by user.
- Power up to 1.1 kW.
- **Class F Insulation.**
- **IP 55 protection (IP 44 for GARDEN version).**

### TABLE OF MATERIALS

PART	MATERIAL
Pump body, seal-housing, Impeller	STAINLESS STEEL (AISI 304 – DIN 1.4301)
Diffuser, Ejector	THERMOPLASTIC MATERIAL SUITABLE FOR HANDLING DRINKING WATER
Shaft extension	STAINLESS STEEL (AISI 316 – DIN 1.4571)
Fill and drain plugs	NICKEL-PLATED BRASS
Mechanical seal	CARBON/CERAMIC
O-ring seals	NBR

**PERFORMANCE DATA AT 3450 rpm, 60 Hz  
BG SERIES**

BG

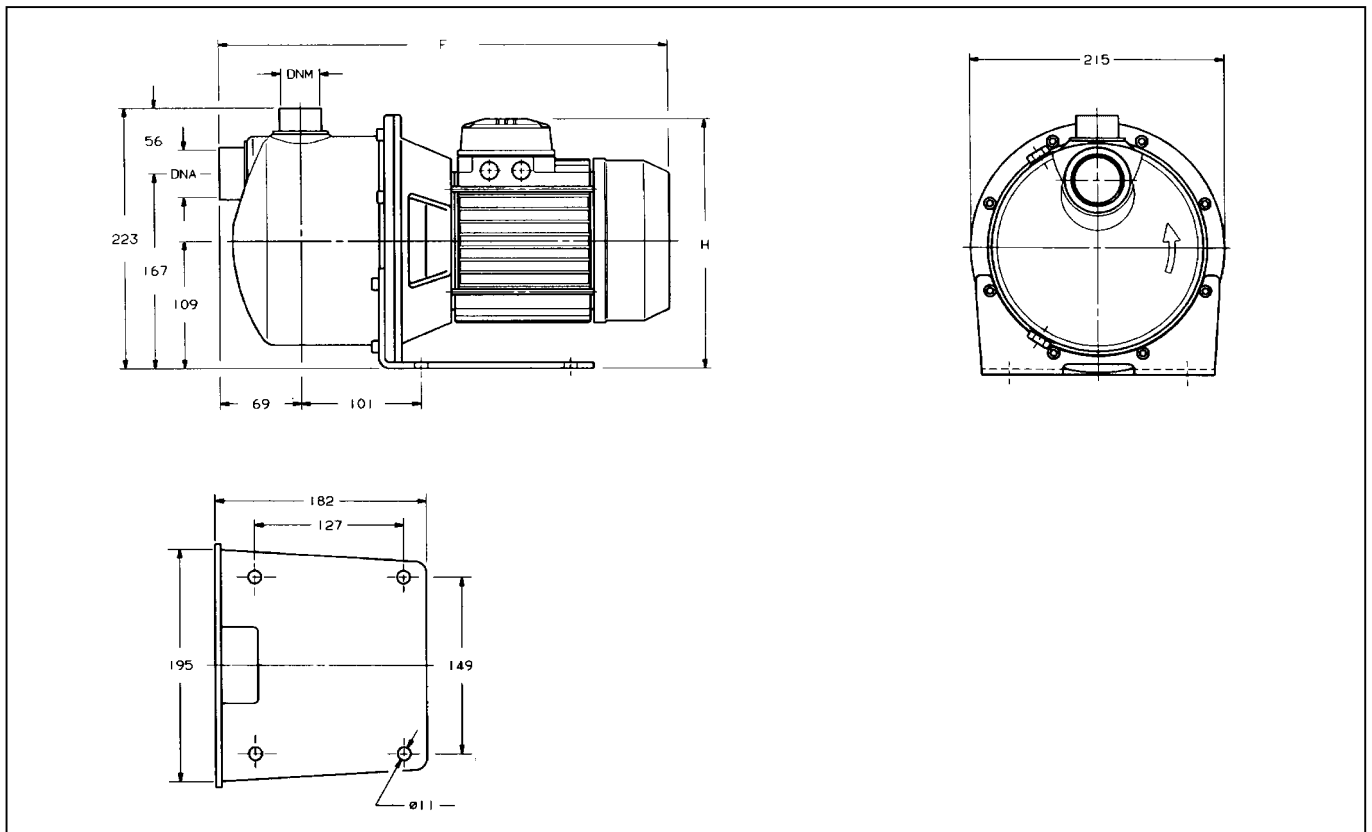


PUMP TYPE THREEPHASE 220-230/380-400 V 60 Hz	HP	kW	INPUT kW THREE- PHASE	CAPACITOR		RATED CURRENT		Q = CAPACITY										
				μF	V	THREE-PHASE		TOTAL HEAD IN METRES OF COLUMN OF WATER										
						220-240 V	380-415 V	l/1'	0	10	20	30	40	50	60	70	80	
BG 56	0,55	0,75	0,84	12,5	450	2,6	1,5	41	38	34	31	28	26	24	-	-		
BG 76	0,75	1	1,05	16	450	3,5	2	47	43	40	37	34	31	29	-	-		
BG 116	1,1	1,5	1,45	25	450	4,5	2,6	53	51	48	46	44	42	40	38	36		

Maximum delivery depends on geodetic suction lift with clean 8 m pipe and 1½" foot valve.  
Tested according to ISO 2548 for class C standard pumps.

These performances are valid for liquids with density ρ = 1.0 kg/dm³ and kinematic viscosity γ = 1 mm²/sec.

## DIMENSIONS AND WEIGHTS, 60 Hz BG SERIES



BG

PUMP TYPE	kW	DIMENSIONS IN mm		DNA	DNM	WEIGHT kg
		F	H			
BG 3	0,37	383	214	Rp 1"¼	Rp 1"	10
BG 5	0,55	383	214	Rp 1"¼	Rp 1"	12
BG 7	0,75	383	214	Rp 1"¼	Rp 1"	13
BG 9	0,9	383	214	Rp 1"¼	Rp 1"	13
BG 11	1,1	421	225	Rp 1"¼	Rp 1"	16
BGM3	0,37	383	218	Rp 1"¼	Rp 1"	10
BGM5	0,55	383	218	Rp 1"¼	Rp 1"	12
BGM7	0,75	383	218	Rp 1"¼	Rp 1"	13
BGM9	0,9	383	218	Rp 1"¼	Rp 1"	13
BGM11	1,1	421	229	Rp 1"¼	Rp 1"	16