



### BOLL Duplex Filter TYPE 2.04.5

with flange connections DN 25 – DN 80  
available with heating

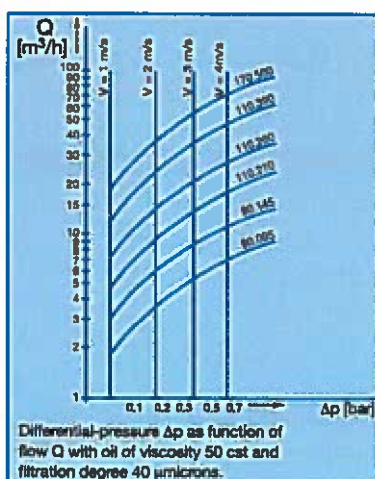
#### APPLICATION

Filtration of all liquids. For installation into suction or pressure pipework to protect plant components (valves, pumps, pressure gauges, nozzles etc.) preventing accumulation of dirt and sludge.

#### OPERATION

The Duplex Filter 2.04.5 allows change-over during operation without pressure-loss. The filter is compact and easy to maintain, requiring only manual cleaning when maximum allowable pressure drop is reached.

When maximum pressure drop is reached the standby filter chamber is brought on line simultaneously as the dirty one is isolated by means of the change-over valve. After venting, the dirty element can be removed, cleaned and refilled to be the standby filter chamber.



#### OPTIONAL ACCESSORIES

Differential pressure indicator type 4.36 can be supplied fitted at factory. The filter elements can be fitted with magnetic bars.



#### CLEANING

- Switch change-over valve to clean filter chamber
- Release pressure in the contaminated filter chamber by means of venting screw
- Lift the cover of the contaminated filter chamber
- Remove filter element
- Soak filter element in cleaning fluid, e.g. BOLL-CLEAN 2000, and clean with compressed air

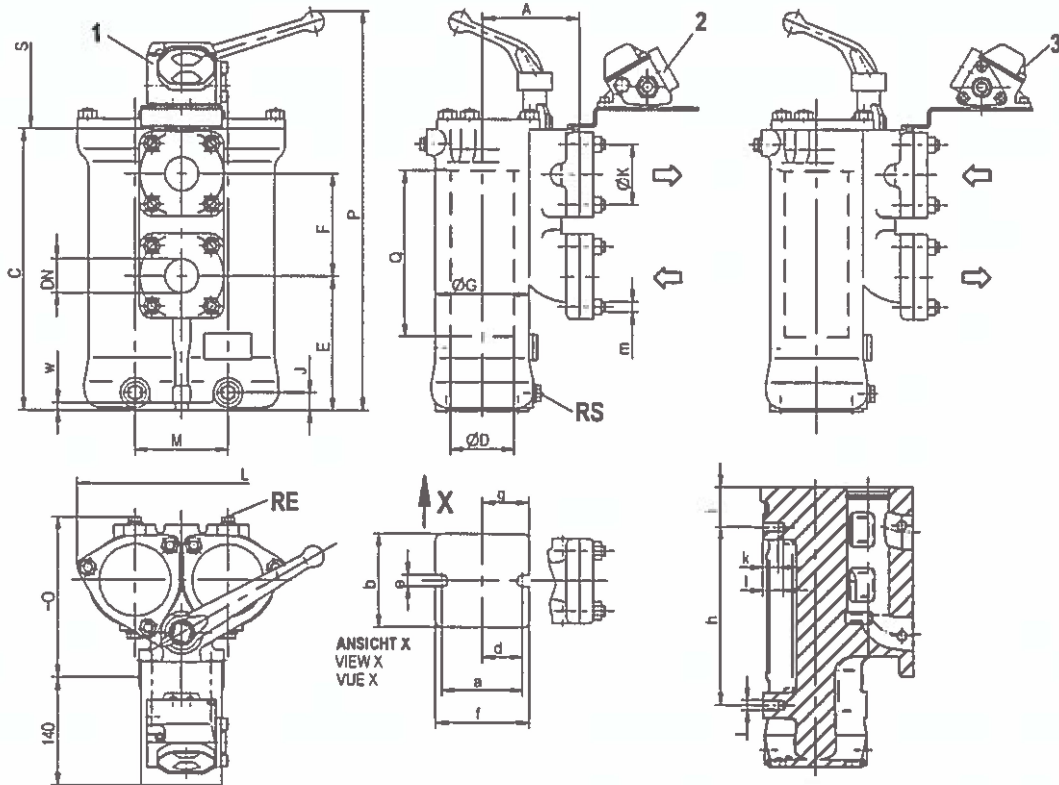
For details see operating instructions manual "maintenance and servicing".

#### TECHNICAL CHARACTERISTICS

- Filter housing of ductile iron; internally nickel lined for water application
- Change-over valve of cast iron; water filters rubber-lined
- Optionally star-pleated ① or basket ② filter element, star-pleated element also available as disposable filter element
- Filter fineness: 10 microns to 5 mm
- Operating pressure up to 25 bars

# THE DETAILS

Z45540 - Type 2.04.5.



**RE** Entlüftung G1/4  
vent G1/4  
désaération G1/4

**RS** Entleerung G3/8  
drain G3/8  
vidange G3/8

**Flansanschluss:**  
flanged joint  
raccord à brides

auf Wunsch: Wandbefestigung  
connection at side on request  
fixation murale sur demande

Auf Wunsch on request sur demande

**1** Differenzdruckanzeiger (DDA)  
differential pressure indicator  
indicateur de différence de pression

**Stiftschraube DIN939**  
stud bolt DIN939  
boulon DIN939  
DN K m

25	80	M10	M10 X 25
32	80	M10	M10 X 25

**2** DDA-Anbau und Durchflussrichtung für Sternsiebe  
DPI-installation and flow direction for star-element  
IDP-assemblage et direction de passage pour paniers étoiles

**Sechskantschraube DIN931**  
hexagon screw DIN931  
vis hexagonale DIN931  
DN K m

40	100	ø14	M12 X 50
50	110	ø14	M12 X 50
65	130	ø18	M16 X 50
80	150	ø18	M16 X 50

**3** DDA-Anbau und Durchflussrichtung für Korbsiebe  
DPI-installation and flow direction for basket-element  
IDP-assemblage et direction de passage pour paniers à corbeille

**Gehäuse gegossen, EN-GJS-400-15**  
casing casted  
corps moulé

**5** Siebausbau  
filter element removal  
démontage du panier

**Betriebsüberdruck: 25 bar bei 120°C**  
working pressure 25 bar at 120°C  
pression de service: 25 bar à 120°C

**Allgemeintoleranzen DIN ISO 2768-V**  
general tolerance DIN ISO 2768-V  
tolérances générales DIN ISO 2768-V

	h	l	j	k	l
DN25/32	130	36	M10	16	20
DN40/50	210	47	M12	17	25
DN65	350	81	M12	17	25
DN80	510	66	M12	17	25

**Bestellbeispiel**  
ordering example  
exemple de commande

Typ	øG	Q	DN
2.04.5	90	145	32

øG	Q	DN		A	C	øD	E	F	J	L	M	~O	P	S	a	b	d	e	f	g	w	VOL LITER	KG
		MIN	MAX																				
90	95	25	32	95	199	65	79	80	22	208	92	153	346	170	85	92		12	110		9	2X1	17
90	145	32	40	95	249	65	129	80	22	206	92	154	356	220	85	92		12	110		9	2X1	18
110	210	40	50	115	330	85	157	120	20	250	110	184	470	300	85	110		14	110		9	2X2	29
110	260	50	65	128	385	85	208	120	20	250	110	196	525	350	85	110		14	110		9	2X3	36
110	390	65	80	180	523	85	317	140	34	260	120	337	678	480	120	65	75	14	200	137	20	2X4	55
170	500	80	100	214	690	124	453	160	50	370	203	397	829	700	174	120	105	18	220	135	22	2X13	107

SUBJECT TO ALTERATIONS

ÄNDERUNGEN VORBEHALTEN !

MODIFICATIONS RÉSERVÉES

DUPLEX FILTER

DOPPELFILTER 2.04.5

FILTRE DOUBLE

