

Brass rotary vane pumps "ROTOFLOW"



Under the trademark Rotoflow the rotary vane pumps are sold worldwide. They are volumetric pumps designed for pumping water and moderate aggressive liquids with low flow at high pressure.

Technical features and manufacturing characteristics

The rotary vane pump is brass made with a stainless steel AISI 303 rotor, while the

pumping chamber and the vanes are in carbon graphite.

The inlet and outlet ports are 3/8" NPT/GAS threaded.

The pumps are designed to be directly mounted to the motor with a stainless steel clamp. For different mounting arrangements see our technical info "optional mountings". Maximum operative temperature: 70 °C (158 °F).

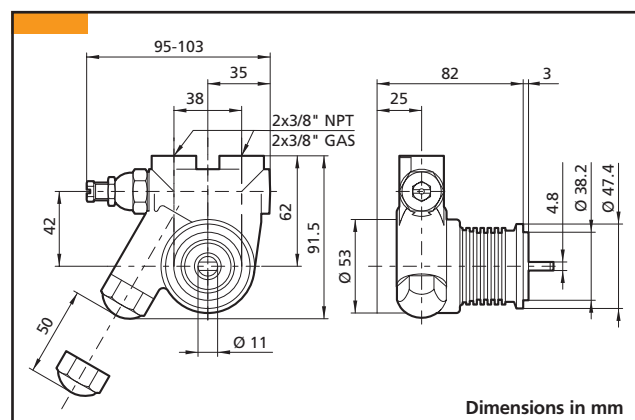
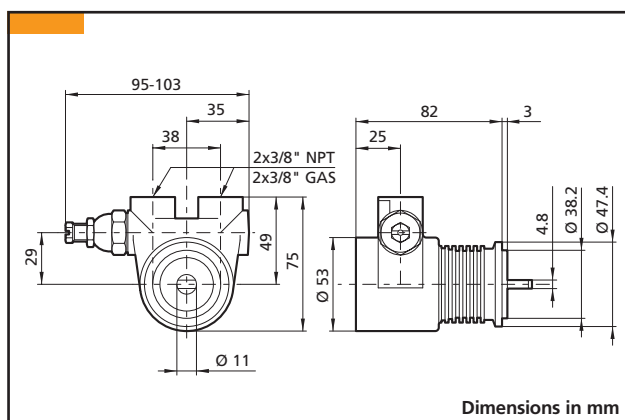
Available upon request:

- Viton/EPDM seals (suffix - V/E)
- built-in relief valve
- built-in 71 mesh filter
- flange mount
- NSF listed pumps for potable water (PA series) - WRAS approved pumps (PW series)



Main applications

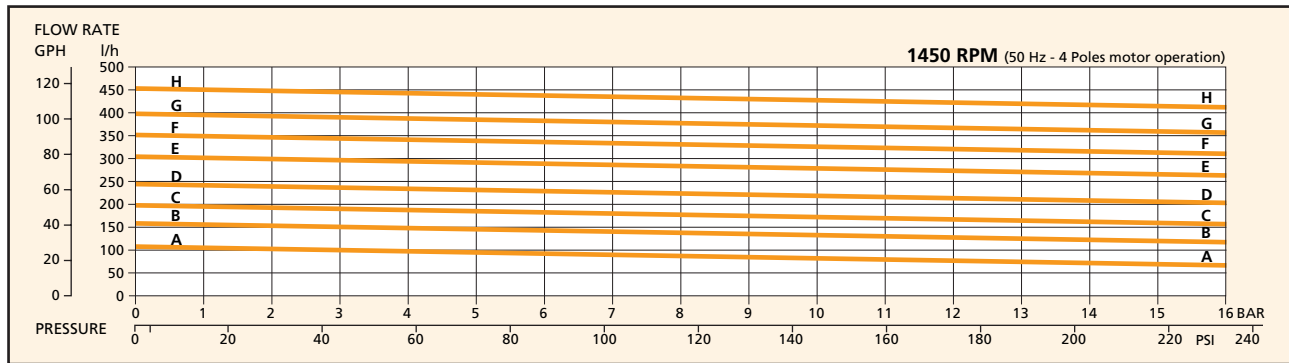
- Beverage vending machines
- Post-mix drink dispensers
- Espresso coffee machines
- Cooling systems
- Reverse osmosis
- Ultra-filtration
- Water dispensers



Brass rotary vane pumps "ROTOFLOW"

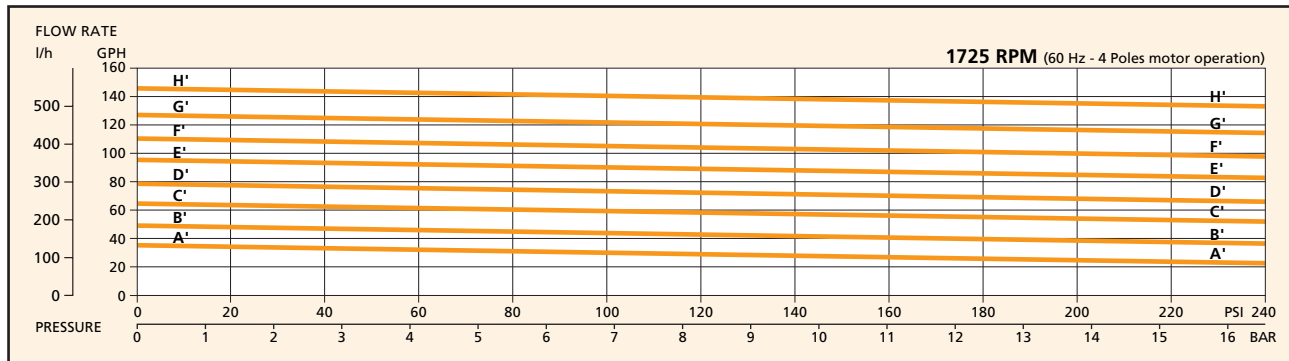
MODEL PO/PA	070	071	074	071x	074x	100	101	104	101x	104x	1500	1501	1504	1501x	1504x	200	201	204	201x	204x
Flow (l/h) at 2 BAR			100					150					190					236		
Flow (l/h) at 7 BAR			89					139					179					225		
Flow (l/h) at 14 BAR			70					120					160					206		
Figure			A-A					B-B					C-C					D-D		
By-Pass	NO	STD	BAL	STD	BAL	NO	STD	BAL	STD	BAL	NO	STD	BAL	STD	BAL	NO	STD	BAL	STD	BAL
Built in filter	NO	NO	NO	YES	YES	NO	NO	NO	YES	YES	NO	NO	NO	YES	YES	NO	NO	NO	YES	YES

MODEL PO/PA	2500	2501	2504	2501x	2504x	300	301	304	301x	304x	3500	3501	3504	3501x	3504x	400	401	404	401x	404x
Flow (l/h) at 2 BAR			295					345					390					445		
Flow (l/h) at 7 BAR			284					334					379					434		
Flow (l/h) at 14 BAR			265					315					360					415		
Figure			E-E					F-F					G-G					H-H		
By-Pass	NO	STD	BAL	STD	BAL	NO	STD	BAL	STD	BAL	NO	STD	BAL	STD	BAL	NO	STD	BAL	STD	BAL
Built in filter	NO	NO	NO	YES	YES	NO	NO	NO	YES	YES	NO	NO	NO	YES	YES	NO	NO	NO	YES	YES



MODEL PO/PA	070	071	074	071x	074x	100	101	104	101x	104x	1500	1501	1504	1501x	1504x	200	201	204	201x	204x
Flow (GPH) at 20 PSI			34					49					64					78		
Flow (GPH) at 100 PSI			30					45					60					74		
Flow (GPH) at 200 PSI			24					39					54					68		
Figure			A'-A'					B'-B'					C'-C'					D'-D'		
By-Pass	NO	STD	BAL	STD	BAL	NO	STD	BAL	STD	BAL	NO	STD	BAL	STD	BAL	NO	STD	BAL	STD	BAL
Built in filter	NO	NO	NO	YES	YES	NO	NO	NO	YES	YES	NO	NO	NO	YES	YES	NO	NO	NO	YES	YES

MODEL PO/PA	2500	2501	2504	2501x	2504x	300	301	304	301x	304x	3500	3501	3504	3501x	3504x	400	401	404	401x	404x
Flow (GPH) at 20 PSI			95					111					127					144		
Flow (GPH) at 100 PSI			91					107					123					140		
Flow (GPH) at 200 PSI			85					101					117					134		
Figure			E'-E'					F'-F'					G'-G'					H'-H'		
By-Pass	NO	STD	BAL	STD	BAL	NO	STD	BAL	STD	BAL	NO	STD	BAL	STD	BAL	NO	STD	BAL	STD	BAL
Built in filter	NO	NO	NO	YES	YES	NO	NO	NO	YES	YES	NO	NO	NO	YES	YES	NO	NO	NO	YES	YES



Pump weight: 1,1 kg / 2.5 Lbs (clamp mount) 1,3 kg / 2.9 Lbs (clamp mount w/strainer) - Characteristics at constant motor speed, water at 20 °C / 68 °F and by-pass blocked For applications involving other fluids, high temperatures or unusual processing conditions, please consult the factory or an authorized distributor.

The manufacturer reserves the right to alter the specifications indicated in this catalogue at any time and without prior notice.

PO - B - 07/06 Ed.