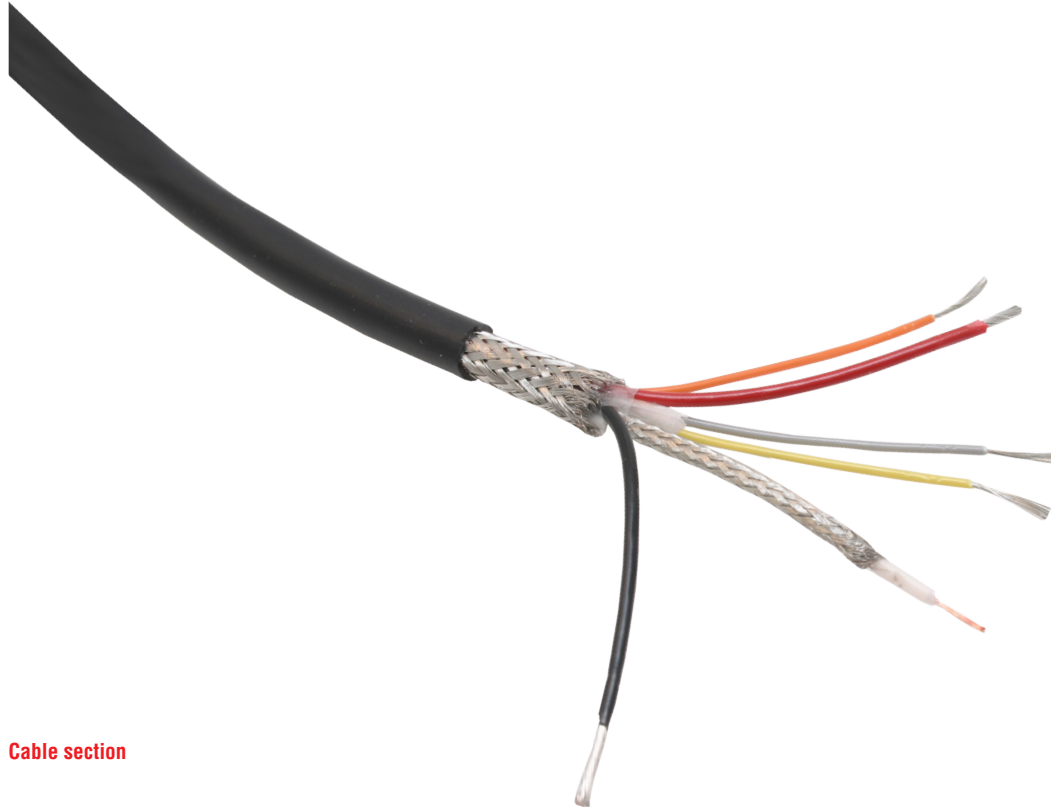


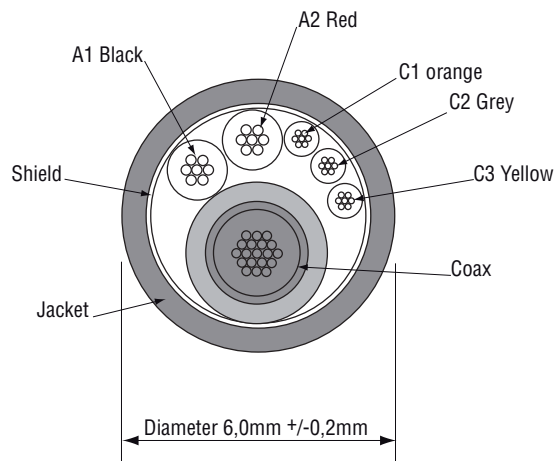
Vision is
our mission®

Cable Base 6,0B-1CB5W
Article no. 1220170
2018 • DS0960421 EN A 02

Product Data



Cable section



TECHNICAL DATA

Cable base 6,0B-1CB5W

	Description
Article number	1220170
Coax	Tinned copper AWG 26 = 1 x 0,14mm ² 18 x 0,1. Shield Spiral braided coverage ≥ 85% 0,4mm.
C1,C2,C3 Conductor	3 x AWG26, 7 x 0,16mm, tinned copper. Color: Orange Yellow, Grey.
A1,A2 Conductor	2 x AWG22, 7 x 0,25mm, tinned copper. Color: Black, Red.
Jacket	TPU, 6,0mm +0,0/-0,2mm, Color: Black RAL 9005.
Shield	Braided tinned copper, coverage > 85%.
Temperature range	-40°...+85°C (static).
Impedance coax	75Ω
Min. bending radius	7,5 x D static.
Weight	50gr/m ¹ .
Approval	Fire resist IEC60332-2, Halogen free DIN VDE 0472 part 815.

All data subject to change without notice. All dimensions are for commercial purpose only.

The camera/display systems from Orlaco comply with the latest CE, ADR, EMC and mirror-directive regulations, where applicable.

All products are manufactured in accordance with the ISO 9001 quality management system, ISO/TS 16949 quality automotive, ISO 14001 environmental management systems and all Ex products with the IECEx scheme and ATEX directives, where applicable.

