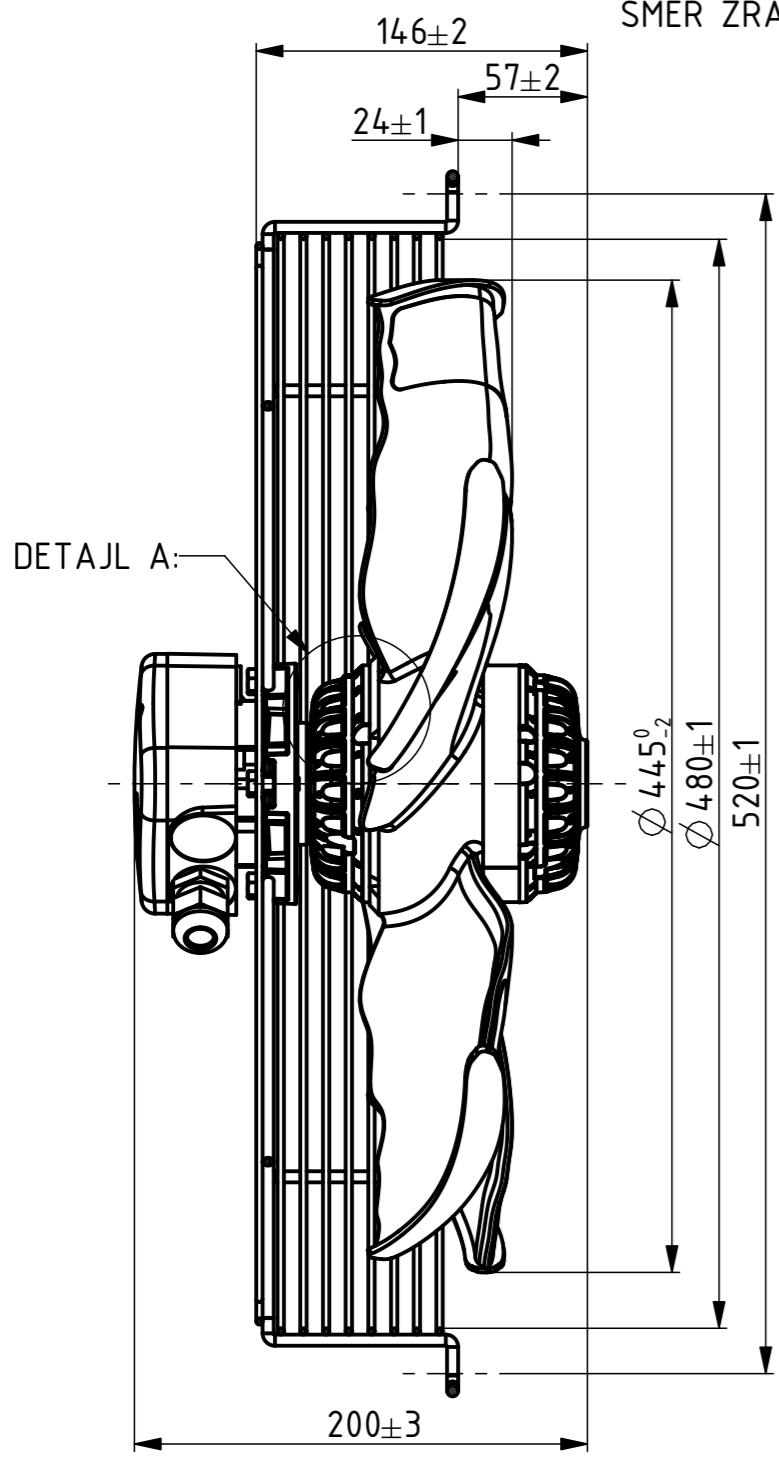
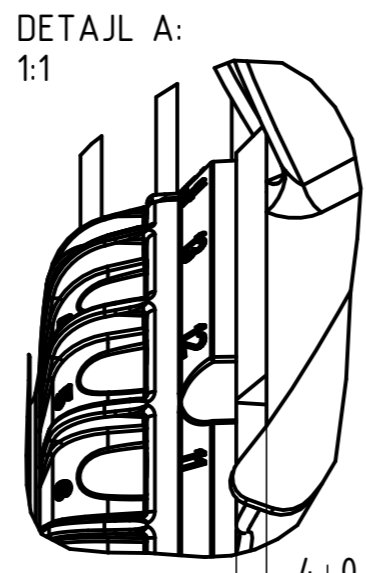


All drawings, regardless of form, are owned by Hidria Rotomatika d.o.o. and are strictly confidential and present copyright. Intellectual Property Rights as follows rights under the laws of patents, petty patents, design patents and registered designs, copyrights, trade secret rights, and similar exclusive rights in industrial property connected with the drawings are reserved by Hidria Rotomatika d.o.o.. Disclosure to any third party is strictly forbidden.

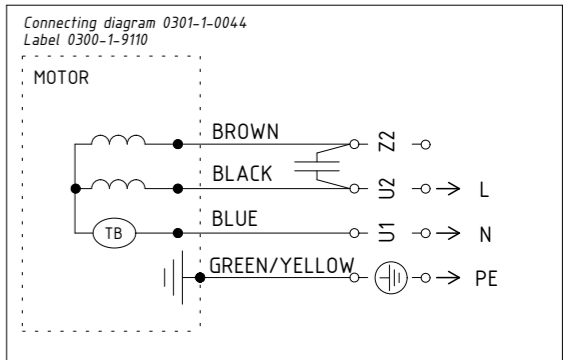
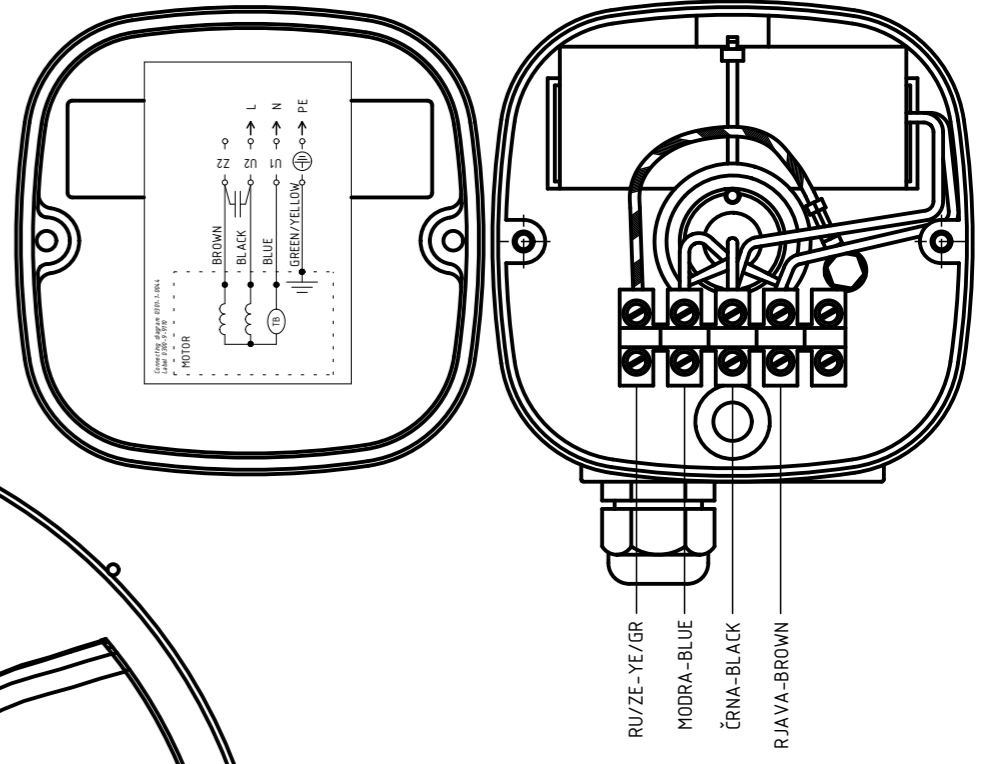
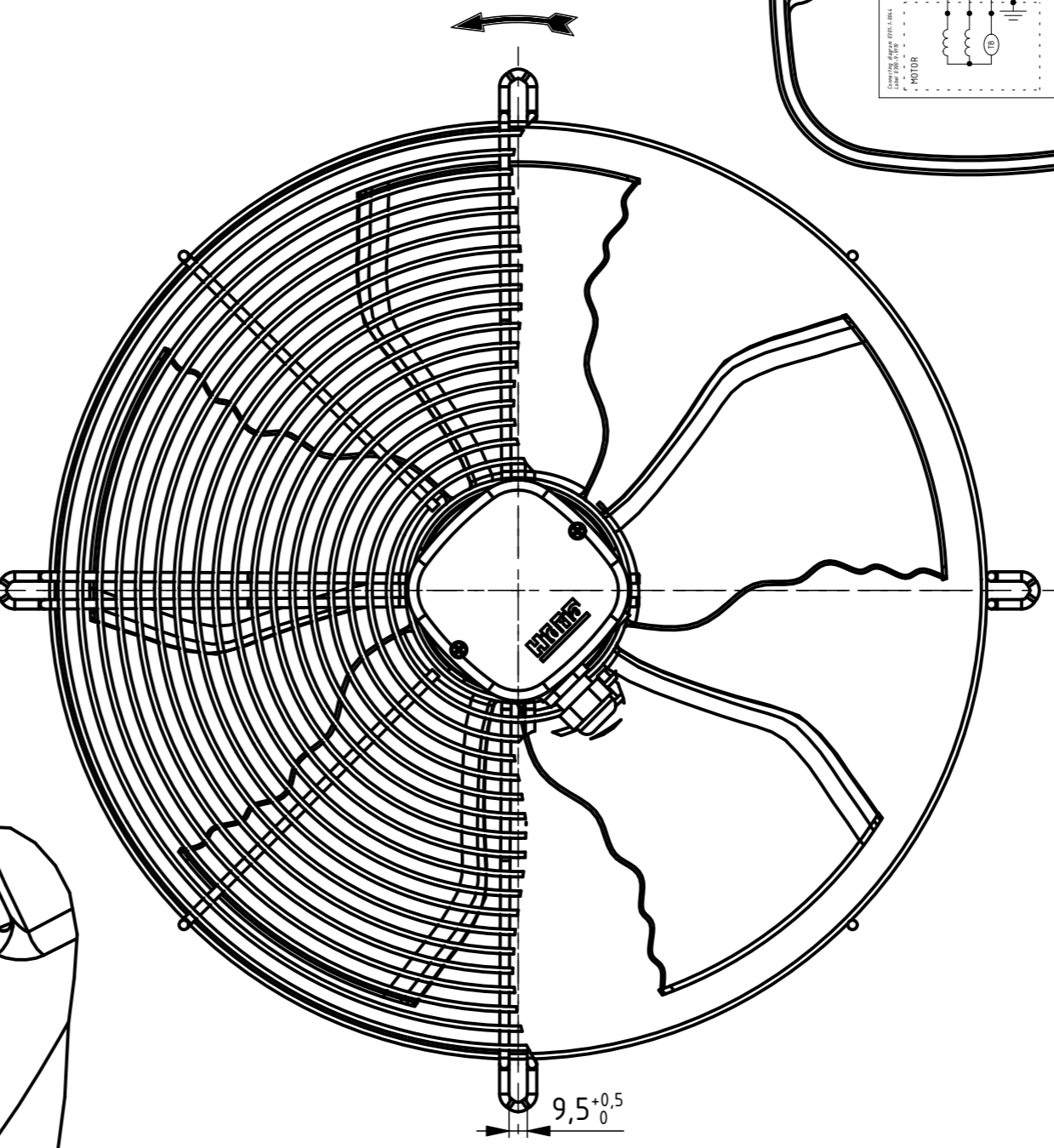
SUCKING
 AIRFLOW DIRECTION
 SMER ZRAKA



DETAJL A:



DETAJL A:
1:1



Opombe:
 - navodilo za kontrolo ventilatorja 0301-1-4643
 - checking instruction 0301-1-4643
 - na embalažo dodati nalepko NADOMESTNI VENTILATOR

(KODA VENTILATORJA)
FAN FOR REPLACEMENT ONLY
 For installation in application:

Hidria MADE IN SLOVENIA **CE** DATE
 R11R-45LPS-4M-5150 0311-4-0314
 1~230V 50Hz 240W 1,1A 1230RPM
 MAX.AMB.50°C IP54 INS.CL.155 C=6,3µF/450V
 TH.PROT. ROT.
 ErP: Effes=26,6% (A,static) N=36,6

AC	C	Na risbo se doda opomba ter simbol nalepke - nadomestni ventilator, nalepko se dodaja na embalažo ventilatorja.	01.04.15	Uroš T.
Verzija Artikla:	Verzija risbe:	Opis spremembe:	Datum:	Izdelal:
Article revision:	DRW Revision:	Description of change:	Date:	Produced:
	DATUM/DATE	IME / NAME	POVRŠINSKA OBD. SURFACE TEXTURE	
KONSTRUIRAL / DRN:	01.04.2015	Uroš Kunc		
ODOBRIL / APP:	02.04.2015	Uroš Tominec	MATERIAL	
Potrjeno/Approved		KODA MATERIALA MATERIAL CODE	MASA: MASS:	NAZIV: TITLE:
Hidria		NETOL. MERE/UNTOL DIM. ISO 2768-m	DZJ	VENTILATOR
		MERIL/FORMAT 3:10/A3		R11R-45LPS-4M-5150
				KODA: CODE: 0311-4-0314
				VERZIJA ARTIKLA: REVISION ARTICLE: AC
				VERZIJA RISBE: DRW REVISION: C
				LIST/SHEET: 1/1