

# Technical Data

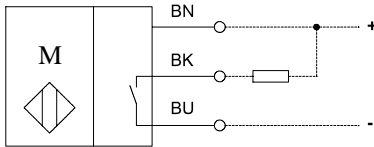
## Magnetic Gear Tooth Sensors

### Series MA-63

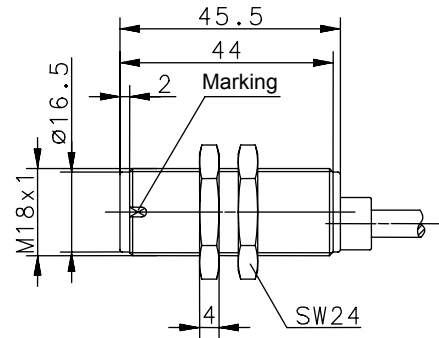
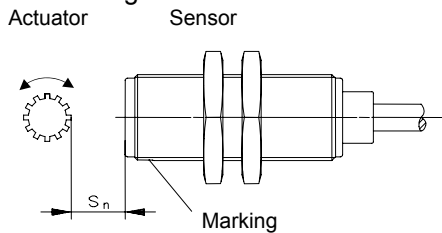
Type designation **MEK-M18ND/H-K2**

Item number **6369663029**

#### Wiring diagram



#### Positioning



#### Characteristic features in accordance with EN 60947-5-2

##### Electrical data

Rated operating distance	$S_n$	0 - 2 mm ( ferromagnetic material )
Switching function		NPN, open collector
Operational voltage range	$U_B$	10 V - 36 V DC
Voltage drop	$U_d$	$\leq 0,5$ V
Maximum output current	$I_L$	20 mA
No load supply current	$I_o$	$\leq 15$ mA
Switching element		Hall, magnetic biased
Short-circuit protection		yes
Frequency of operating cycles	f	20 kHz
False polarity protection		yes

##### Electromagnetic compatibility (EMC)

Electromagnetic field test	IEC 61000-4-3
Electrostatic discharge test	IEC 61000-4-2
Electrical fast transient immunity test (Burst)	IEC 61000-4-4
Radiated disturbance field strength	EN 55011

##### Mechanical Data

Enclosure	PBT, black
End cap	PA 12, black
Ambient air temperature	-25 °C ... +70 °C (cable fixed mounted)
Type of protection	IP67 acc. to IEC 529, EN 60529
Termination type	cable 3 x 0,14 mm <sup>2</sup> x 2 m; PVC-Outer jacket, black
For attachment	2 x hexagon nut

##### EU Conformity



This document will not become the contractual basis; the details included herein do not constitute any descriptions of expected conditions, so that warranties/claims for defects on account of possible variations of the actual from the here described condition are excluded. Subject to modifications and amendments.

Date of issue: 24.07.2008 / Page 1 of 1  
Document: 6369663029\_en.doc / Last update: 1 / 0178-08