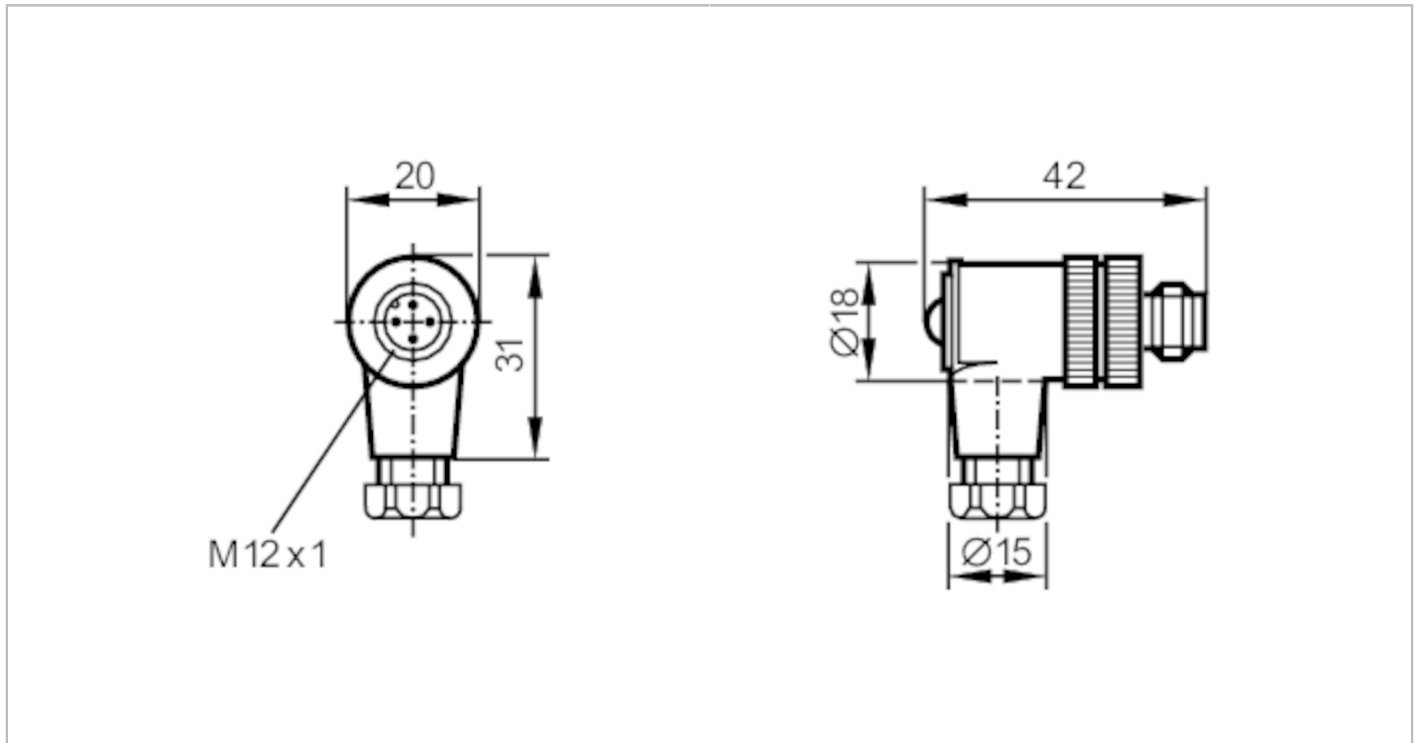


E11507



Wirable plug

SSTA050MSSFKPG



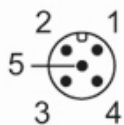
Application	
System	Free from silicone; gold-plated contacts
Free from silicone	yes
Electrical data	
Operating voltage [V]	< 45 AC / < 70 DC
Max. current load total [A]	4; (...40 °C)
Operating conditions	
Ambient temperature [°C]	-25...85
Protection	IP 68
Mechanical data	
Weight [g]	26.5
Material	PA
Material nut	brass, nickel-plated
Remarks	
Pack quantity	1 pcs.
Electrical connection	
screw terminals: ...0.75 mm ² ; Cable sheath: Ø 4...6 mm	
Electrical connection - plug	
Connector: 1 x M12, angled; Moulded body: PA; Locking: brass, nickel-plated; Contacts: gold-plated	

E11507



Wirable plug

SSTAH050MSSFKPG



Connection

