

Dial Indicators per ANSI/AGD Group 1 - Mahr Federal Series B and O



Technical Data

Mahr Federal Series B (inch)

Dial: approx. 1.750" dia. with soft-green tint

Measuring range	Graduation value	Dial style w/o Rev Counter	Dial style with Rev Counter	Range per revolution	Accuracy	Order no. w/o Rev Counter	Order no. with Rev Counter
.025"	.0001"	0-5-0	0-10	.010"	± .0001"	12I	12I-RC
.025"	.00025"	0-5-0	0-10	.010"	± .00025"	12Q	12Q-RC
.050"	.00025"	0-10-0	0-20	.020"	± .00025"	B3K	B3K-RC
.050"	.0005"	0-10-0	0-20	.020"	± .0005"	B3Q	B3Q-RC
.075"	.0005"	0-15-0	0-30	.030"	± .0005"	B5M	B5M-RC
.100"	.0005"	0-20-0	0-40	.040"	± .0005"	B6K	B6K-RC
.125"	.0005"	0-25-0	0-50	.050"	± .0005"	B7I	B7I-RC
.050"	.001"	0-10-0	0-20	.020"	± .001"	B3W	B3W-RC
.100"	.001"	0-20-0	0-40	.040"	± .001"	B6Q	B6Q-RC
.125"	.001"	0-25-0	0-50	.050"	± .001"	B7O	B7O-RC
.250"	.001"	0-50-0	0-100	.100"	± .001"	B8I	B8I-RC

Mahr Federal Series O (Metric, mm)

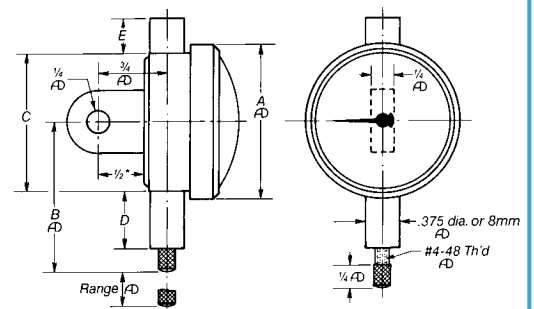
Dial: approx. 45 mm dia. with yellow tint

Measuring range	Graduation value	Dial style w/o Rev Counter	Dial style with Rev Counter	Range per revolution	Accuracy	Order no. w/o Rev Counter	Order no. with Rev Counter
0.500	0.002	0-10-0	0-20	0.200	± 0.004	O1I	O1I-RC
1.250	0.005	0-25-0	0-50	0.500	± 0.005	O3I	O3I-RC
2.500	0.010	0-50-0	0-100	1.000	± 0.010	O6I	O6I-RC
6.250	0.025	0-125-0	0-250	2.500	± 0.025	O8I	O8I-RC

Dimensions

ANSI / AGD Group	Mahr Federal Styles	A mm/inch	B mm/inch	C mm/inch	D mm/inch	E mm/inch
1	B/O	42.86/ 1.688"	41.28/ 1.625"	38.10/ 1.5"	15.88/ .625"	8.73/ .344"
2	C/P	57.15/ 2.25"	50.80/ 2"	52.39/ 2.063"	18.26/ .719"	8.73/ .344"

These indicators are normally furnished with continuous dial (with R.C.) or + on right balance dial (w/o R.C.), lug back and .18" by .250" long contact.



*except E size: .425