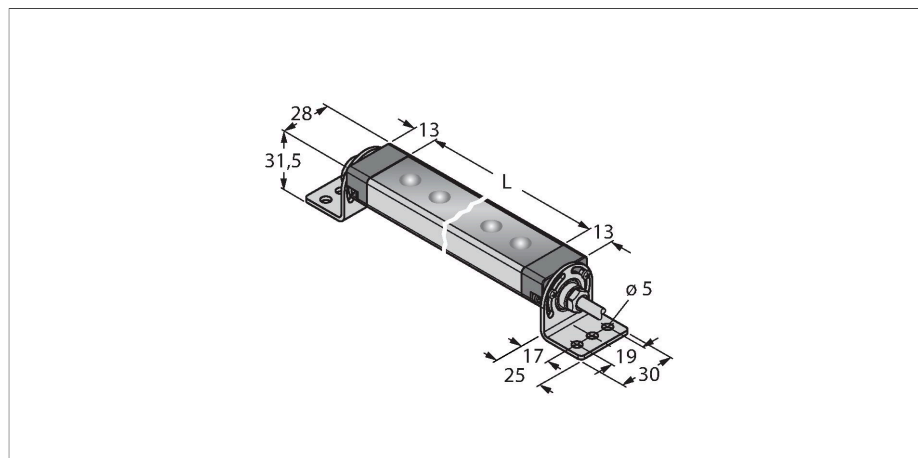


# WLS28-2CW570S

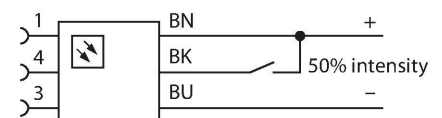
## Work Light – Linear Light



### Features

- Cascadable
- Light beam: 570mm
- Operating voltage: 12...30 VDC
- Protection class: IP67 / IP69K
- Color: White
- Cable, PVC, 2 m
- SMBWLS28RA mounting bracket included in delivery

### Wiring diagram



### Functional principle

The low-energy LED work lights are ideally suited for industrial applications. The color temperature is between 6,000 and 7,100 Kelvin (cool white). Depending on the model, the luminous flux is 325 or 2600 lumen. Some work lights are switched on/off via supply power (10...30 VDC) and some types by means of a button directly at the LED lamp. In addition, the LED can be dimmed to 50% of its light output by activating a high signal on PIN 4, or for the variants with a switch, by means of a further switch position. On some models the light output is continuously dimmable via a PWM signal on pin 4. Cascadable variants are also available. Variants with a clear or diffuse plastic windows, as well as with an aperture angle of 25°.

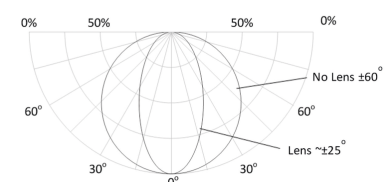
#### Application note:

Cascading with 12 V supply allows total light length of 1.4 m. Cascading with 24 V supply allows total light length of 3.0 m. Cascading with 30 V supply allows total light length of 3.1 m.

At 50% light intensity, the length specifications should be doubled.

### Technical data

|                                |                                |
|--------------------------------|--------------------------------|
| Type                           | WLS28-2CW570S                  |
| ID                             | 3087845                        |
| <b>Signal and display data</b> |                                |
| Purpose                        | LED work light                 |
| Function                       | Linear light                   |
| Light type                     | White                          |
| Color temperature              | 6100...+7000 K                 |
| Luminous flux lumen            | 1300 lm                        |
| Aperture angle degree          | 60 °                           |
| Beam angle                     | wide beam 40-80°               |
| LED service life (L70)         | 50000 h                        |
| Dimmable                       | Two-stage                      |
| Features of color 1            | White, Permanently on, 1600 lm |
| Special features               | Wash down                      |
| <b>Electrical data</b>         |                                |
| Operating voltage              | 12...30 VDC                    |
| DC rated operational current   | ≤ 1360 mA                      |
| Input power                    | 16.32 W                        |
| <b>Mechanical data</b>         |                                |
| Cascadable                     | Yes                            |
| Design                         | Rectangular, WLS28-2           |
| Dimensions                     | 613.5 x 28 x 20.9 mm           |
| Housing material               | Metal, AL                      |
| Window material                | Polycarbonate, clear           |
| Electrical connection          | Cable, 2 m, PVC                |
| Number of cores                | 3                              |

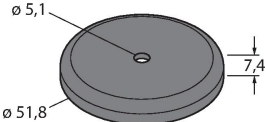


## Technical data

|                        |                      |
|------------------------|----------------------|
| Ambient temperature    | -40...+70 °C         |
| Storage temperature    | -40...+70 °C         |
| Relative humidity      | 0...90 %             |
| Protection class       | IP65<br>IP67<br>IP69 |
| <b>Tests/approvals</b> |                      |
| Approvals              | CE, UL               |

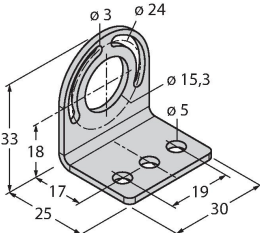
## Accessories

**SMBWLSMAG** 3019574



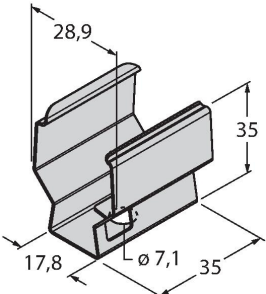
Magnetic mounting bracket for mounting on metallic surfaces, for mounting WLS28 work lights

**SMBWLS28RA** 3015764



Mounting bracket, angled, metal, for WLS28 work lights, 5 mm drill holes, screw set included

**SMBWLS28SP** 3088063



Snap bracket for mounting WLS28 work lights