

6 5 4 3 2 1

D

D

C

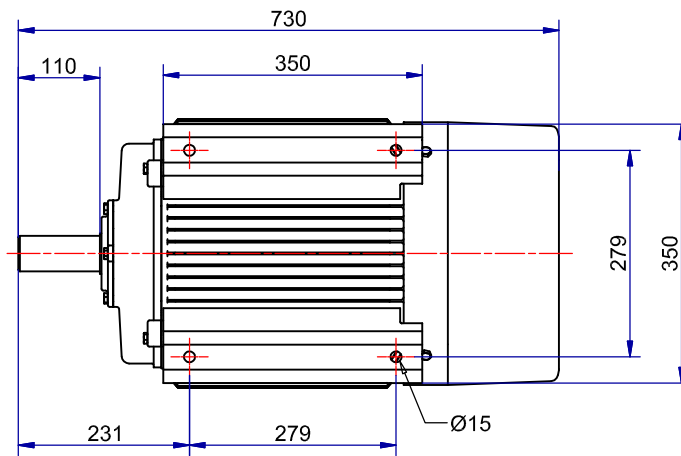
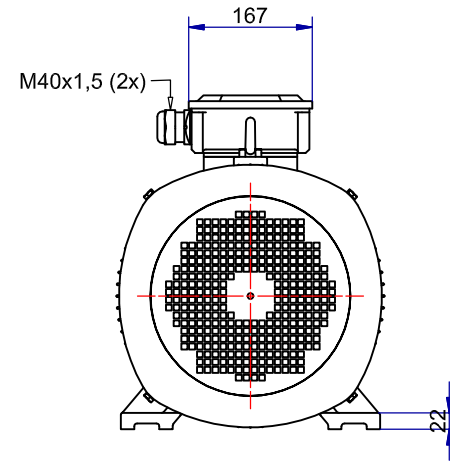
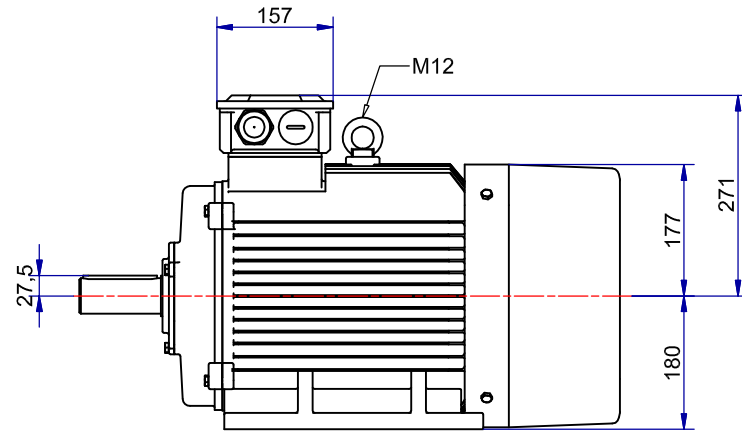
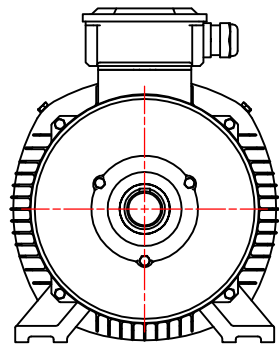
C

B

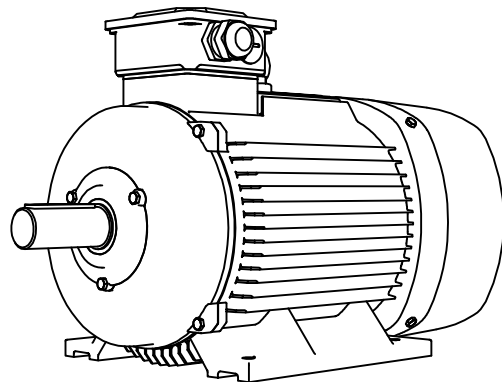
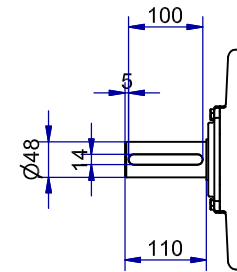
B

A

A



Shaft detail



01-IP55-Cast Iron-IE2-180L B3-4_8

6 5 4 3 2 1



A