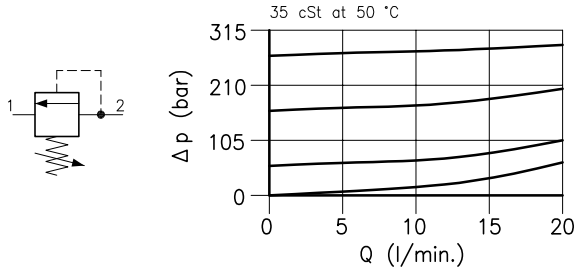
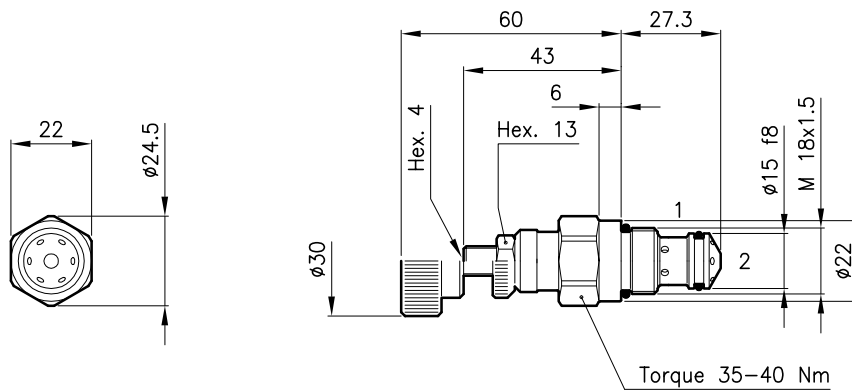


Technical features



Cavity	(For dimensions see catalogue 17.000)	S 20/2
Max. flow	(l/min.)	20
Max. inlet pressure	(bar)	350
Max. pressure on line 1	(bar)	210
Fluid viscosity range	(cSt)	2.8 - 380
Fluid temperature range	(°C)	-20 +80
Mass	(kg)	0.120
Cracking pressure 90% of setting value		
Reseat pressure 80% of setting value		
Cracking pressure defined with 1 l/min.		
Standard setting obtained with 5 l/min.		
Hydraulic fluid; mineral oil HM and HV ISO 6074		
Recommended filtration; 19/15 ISO 4466 (25 μ absolutes)		
Standard seals in Polyurethane and Buna N		

Dimensions



Ordering informations

LPA 20/D-N

LPA 20 = Valve type



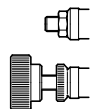
Standard springs

Type	Setting range	Factory set
U	= 10 - 105 bar	70 bar
D	= 70 - 210 bar	140 bar
T	= 140 - 350 bar	280 bar

Adjustment type

N = Standard adjustment

V = Handknob adjustment



Codes:

LPA 20/U-N	21 011 104
LPA 20/D-N	21 011 105
LPA 20/T-N	21 011 106
LPA 20/U-V	21 011 119
LPA 20/D-V	21 011 120
LPA 20/T-V	21 011 121
External seals kit	90 620 100

LPA 20 valves can be assembled on standard bodies 20-LO series; for dimensions see catalogue 16.010