



GM

2-WAY HIGH PRESSURE BALL VALVES

PE and SW extralong ends on request

Edition. 21.3

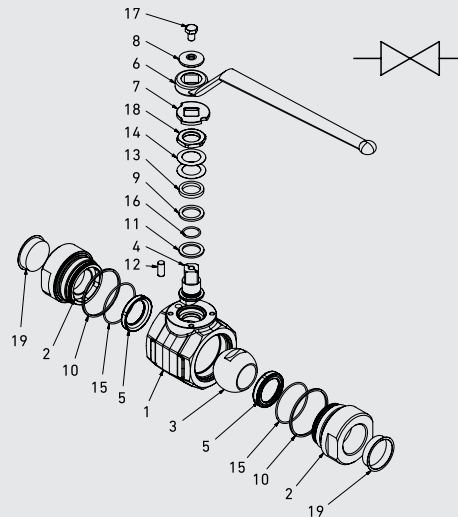
CS Carbon Steel

- Type: ball valve 2way
- Sizes: from DN6 up to DN100
- Ends: BSP-NPT-SW-SWXT -PE BW
- O-Rings: NBR, FKM, EPDM, MVQ
- Pressure: up to PN500 / S3000
- Temp range: -46°C to +250°C (depending on materials selected)

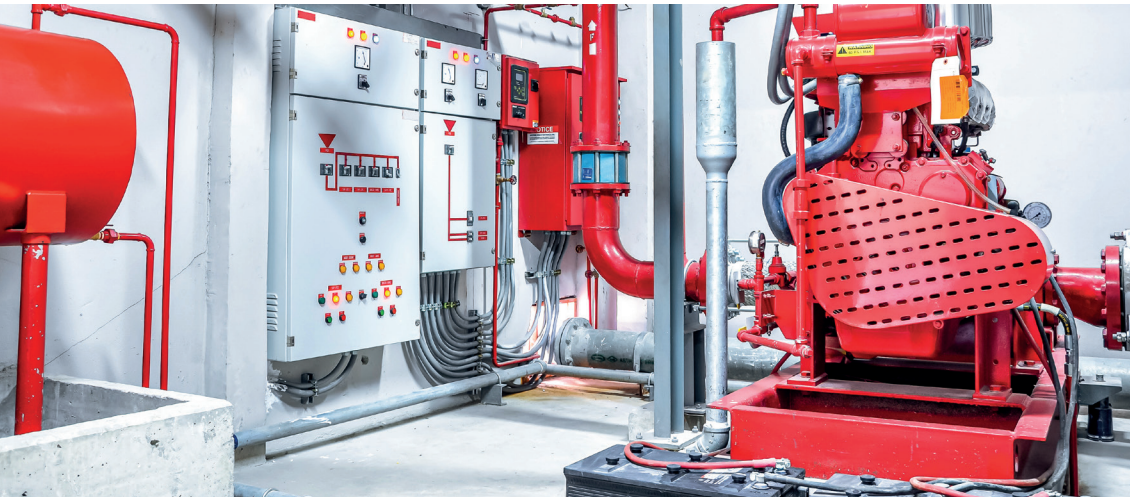
SS Stainless Steel

- Type: ball valve 2way
- Sizes: from DN6 up to DN100
- Ends: BSP-NPT-SW-SWXT -PE BW
- O-Rings: NBR, FKM, EPDM, MVQ
- Pressure: up to PN500 / S3000
- Temp range: -46°C to +250°C (depending on materials selected)

STANDARD COMPOSITION OF VALVE



POS	DESCRIPTION	Q.TY	CS	SS	POS	DESCRIPTION	Q.TY	CS	SS
			Carbon Steel	Stainless Steel				Carbon Steel	Stainless Steel
			MATERIAL					MATERIAL	
1	Body	1	ASTM A350 LF2*	ASTMA182F316	11	Stem ring	2	PTFE	PTFE
2	Adapter	2	ASTM A350 LF2*	ASTMA182F316	12	Pin	1	AISI 316	AISI 316
3	Ball	1	ASTM A479 Tp.316	ASTMA479Tp.316	13	Press ring	1	AISI 316	AISI 316
4	Stem	1	ASTM A479 Tp.316	ASTMA479Tp.316	14	Spring	2	AISI 316	AISI 316
5	Ball Seat	2	FKM	FKM	15	Adapter o-ring	2	FKM	FKM
6	Handle	1	Fe37	Fe37	16	Stem o-ring	1	FKM	FKM
7	Washer	1	AISI 316	AISI 316	17	Screw	1	ISO4762 A4	ISO4762 A4
8	Washer	1	AISI 316	AISI 316	18	Nut	1	AISI 316	AISI 316
9	Body ring	1	Graphite	Graphite	19	Caps	2	PVC	PVC
10	Adapter ring	2	Graphite	Graphite					



CODE DESCRIPTION STRUCTURE

GM	G1 1/2	DN13	A105	F316	POM	B
----	--------	------	------	------	-----	---

Type and way of valve

GM 2-way

Ends

GAS DIN/ ISO 228 BSP	NPT ANSI /ASME B1.20.1	SW
G 1/4	N 1/4	SW 1/4
G 3/8	N 3/8	SW 3/8
G 1/2	N 1/2	SW 1/2
G 3/4	N 3/4	SW 3/4
G 1	N 1	SW 1
G 1 1/4	N 1 1/4	SW 1 1/4
G 1 1/2	N 1 1/2	SW 1 1/2
G 2	N 2	SW 2
G 2 1/2	N 2 1/2	SW 2 1/2
G 3	N 3	SW 3
G 4	N 4	SW 4

Sizes

DN6	DN40
DN10	DN50
DN13	DN65
DN20	DN80
DN25	DN100
DN32	

Body and adapter material

- A105* LF2
 - F316
- *A105 from DN65 up to DN100

Stem and ball material

- F316
- F316

Ball seat material

A = POM D = PEEK* C = PTFE* I = GEMPTFE*

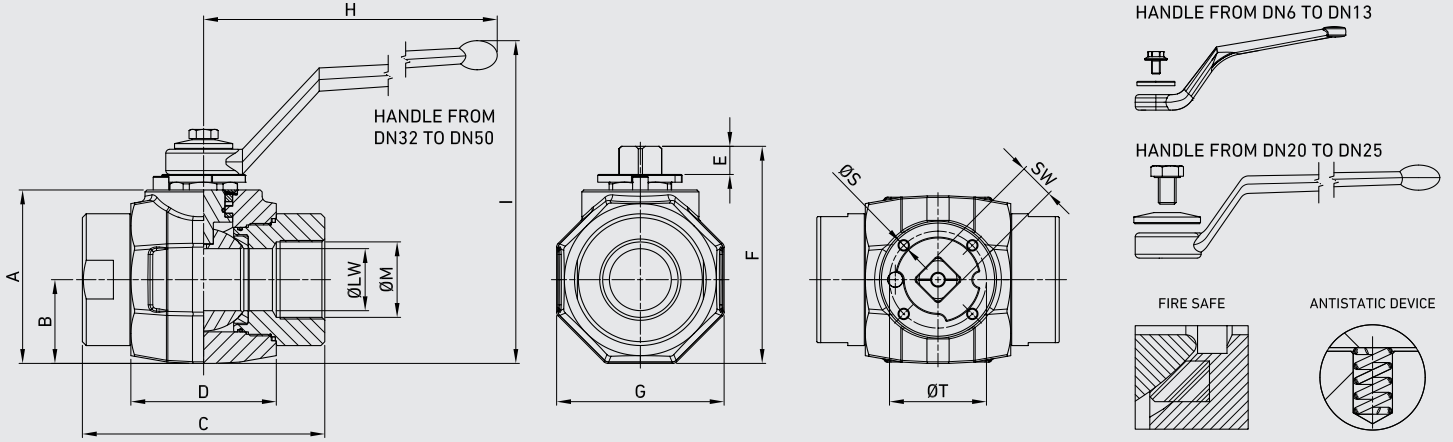
Adapter and stem seal material

B = NBR E = FKM* F = EPDM* L = MVQ*

*On request

- Reduced bore
- Special threads
- Pressure class up to PN500 or 3000 Psi
- Locking device
- PE and SW extralong ends

For further special requests please consult our technical/commercial service.



GM DIN/ISO 228 BSP

TYPE	DN		A	B	C	D	E	F	ØG*	H	I	ØM	SW	ØLW	WEIGHT
GM G 1/4	6	mm	48,5	22	72	44	9,4	65	45	107	108	G 1/4	9	6	kg 0,82
		inch	1,91	0,87	2,83	1,73	0,37	2,56	1,77	4,21	4,25		0,35	0,24	lb 1,81
GM G 3/8	10	mm	48,5	22	73	44	9,4	65	45	107	108	G 3/8	9	10	kg 0,82
		inch	1,91	0,87	2,87	1,73	0,37	2,56	1,77	4,21	4,25		0,35	0,39	lb 1,81
GM G 1/2	13	mm	53	24	81	48	9,4	70	49	107	113	G 1/2	9	13	kg 1,041
		inch	2,09	0,94	3,19	1,89	0,37	2,76	1,93	4,21	4,45		0,35	0,51	lb 2,30
GM G 3/4	20	mm	66	30	98	62	13,4	88	61	200	123	G 3/4	14	20	kg 2,089
		inch	2,60	1,18	3,86	2,44	0,53	3,46	2,40	7,87	4,84		0,55	0,79	lb 4,61
GM G 1	25	mm	98	36	106	66	13,4	98	73	200	123	G 1	14	25	kg 2,822
		inch	3,86	1,42	4,17	2,60	0,53	3,86	2,87	7,87	4,84		0,55	0,98	lb 6,22
GM G 1 1/4	32	mm	89,5	43	127	75	14,5	112	86	310	166	G 1 1/4	17	32	kg 4,508
		inch	3,52	1,69	5,00	2,95	0,57	4,41	3,39	12,20	6,54		0,67	1,26	lb 9,94
GM G 1 1/2	40	mm	106	53	135	85	14	129	106	310	184	G 1 1/2	17	40	kg 6,89
		inch	4,17	2,09	5,31	3,35	0,55	5,08	4,17	12,20	7,24		0,67	1,57	lb 15,19
GM G 2	50	mm	116	59	160	98	13,5	138	118	310	194	G 2	17	50	kg 9,628
		inch	4,57	2,32	6,30	3,86	0,53	5,43	4,65	12,20	7,64		0,67	1,97	lb 21,23
GM G 2 1/2	65	mm	140	70	174	105	23,5	176,5	150	600	226	G 2 1/2	19	65	kg 17,506
		inch	5,51	2,76	6,85	4,13	0,93	6,95	5,91	23,62	8,90		0,75	2,56	lb 38,59
GM G 3	80	mm	155	77,5	191,5	114	23,5	191	167	600	241	G 3	19	80	kg 22,896
		inch	6,10	3,05	7,54	4,49	0,93	7,52	6,57	23,62	9,49		0,75	3,15	lb 50,48
GM G 4	100	mm	188	94	230	148	31	231,5	200	600	278,5	G 4	24	100	kg 36,999
		inch	7,40	3,70	9,06	5,83	1,22	9,11	7,87	23,62	10,96		0,94	3,94	lb 81,57

* This quote is a diameter for DN65-DN80-DN100. For all other sizes it is a polygon (8 or 12 sides)

(POM SEAL) GM DIN/ISO 228 PN500

DN	PN	CS	SS
		Carbon Steel	Stainless Steel
		ITEM CODE	
6	MPa 50	GM2GGT15024A000	GM2GGT15044A000
	Psi 7250		
10	MPa 50	GM2GGT25024A000	GM2GGT25044A000
	Psi 7250		
13	MPa 50	GM2GGT35024A000	GM2GGT35044A000
	Psi 7250		
20	MPa 42	GM2GGT44024A000	GM2GGT44044A000
	Psi 6090		
25	MPa 42	GM2GGT53024A000	GM2GGT53044A000
	Psi 6090		
32	MPa 42	GM2GGT63024A000	GM2GGT63044A000
	Psi 6090		
40	MPa 42	GM2GGT73024A000	GM2GGT73044A000
	Psi 6090		
50	MPa 42	GM2GGT83024A000	GM2GGT83044A000
	Psi 6090		
65	MPa 15	GM2GGT9C024A000	GM2GGT9C044A000
	Psi 2175		
80	MPa 10	GM2GGTA1024A000	GM2GGTA1044A000
	Psi 1450		
100	MPa 5	GM2GGTB1024A000	GM2GGTB1044A000
	Psi 725		

(PTFE SEAL) GM DIN/ISO 228 S800

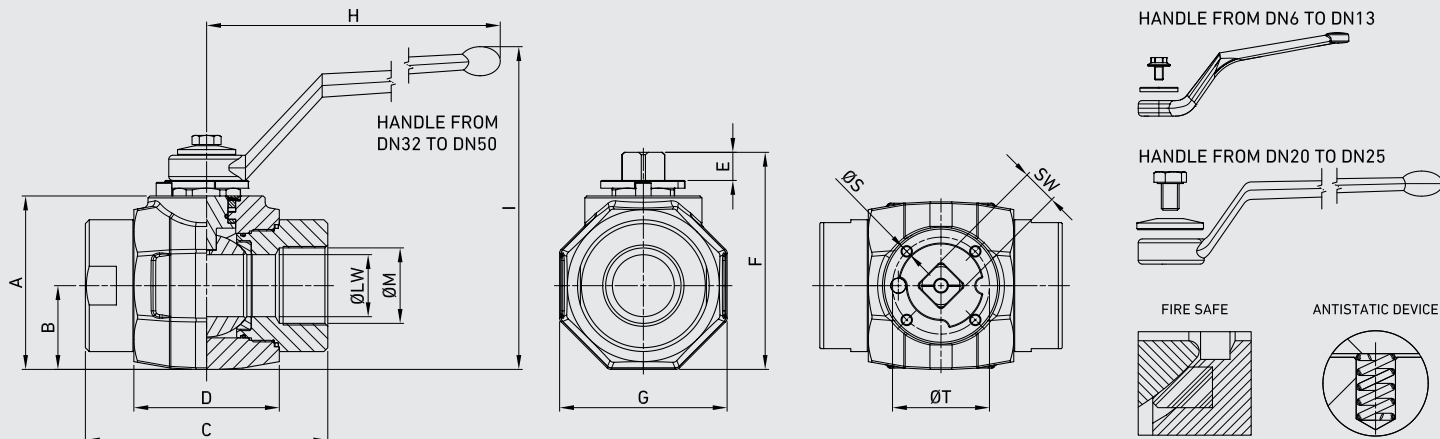
DN	PN	CS	SS
		Carbon Steel	Stainless Steel
		ITEM CODE	
6	MPa 13	GM2GGT1A024F000	GM2GGT1A044F000
	Psi 1885		
10	MPa 13	GM2GGT2A024F000	GM2GGT2A044F000
	Psi 1885		
13	MPa 13	GM2GGT3A024F000	GM2GGT3A044F000
	Psi 1885		
20	MPa 13	GM2GGT4A024F000	GM2GGT4A044F000
	Psi 1885		
25	MPa 13	GM2GGT5A024F000	GM2GGT5A044F000
	Psi 1885		
32	MPa 10	GM2GGT6A024F000	GM2GGT6A044F000
	Psi 1450		
40	MPa 10	GM2GG17A024F000	GM2GG17A044F000
	Psi 1450		
50	MPa 10	GM2GGT8A024F000	GM2GGT8A044F000
	Psi 1450		
65	MPa 10	GM2GGT9A024F000	GM2GGT9A044F000
	Psi 1450		
80	MPa 10	GM2GGTAA024F000	GM2GGTAA044F000
	Psi 1450		
100	MPa 5	GM2GGTBA024F000	GM2GGTBA044F000
	Psi 725		

(POM SEAL) GM DIN/ISO 228 S3000

DN	PN	CS	SS
		Carbon Steel	Stainless Steel
		ITEM CODE	
6	MPa 20,7	GM2GGT1F024A000	GM2GGT1F044A000
	Psi 3000		
10	MPa 20,7	GM2GGT2F024A000	GM2GGT2F044A000
	Psi 3000		
13	MPa 20,7	GM2GGT3F024A000	GM2GGT3F044A000
	Psi 3000		
20	MPa 20,7	GM2GGT4F024A000	GM2GGT4F044A000
	Psi 3000		
25	MPa 20,7	GM2GGT5F024A000	GM2GGT5F044A000
	Psi 3000		
32	MPa 20,7	GM2GGT6F024A000	GM2GGT6F044A000
	Psi 3000		
40	MPa 20,7	GM2GG17F024A000	GM2GG17F044A000
	Psi 3000		
50	MPa 20,7	GM2GGT8F024A000	GM2GGT8F044A000
	Psi 3000		
65	MPa 15	GM2GGT9F024A000	GM2GGT9F044A000
	Psi 3000		
80	MPa 10	GM2GGTAF024A000	GM2GGTAF044A000
	Psi 3000		
100	MPa 5	GM2GGTBF024A000	GM2GGTBF044A000
	Psi 3000		

(GEMPTFE SEAL) GM DIN/ISO 228 S3000

DN	PN	CS	SS
		Carbon Steel	Stainless Steel
		ITEM CODE	
6	MPa 20,7	GM2GGT1F024I000	GM2GGT1F044I000
	Psi 3000		
10	MPa 20,7	GM2GGT2F024I000	GM2GGT2F044I000
	Psi 3000		
13	MPa 20,7	GM2GGT3F024I000	GM2GGT3F044I000
	Psi 3000		
20	MPa 20,7	GM2GGT4F024I000	GM2GGT4F044I000
	Psi 3000		
25	MPa 20,7	GM2GGT5F024I000	GM2GGT5F044I000
	Psi 3000		
32	MPa 20,7	GM2GGT6F024I000	GM2GGT6F044I000
	Psi 3000		
40	MPa 20,7	GM2GGT7F024I000	GM2GGT7F044I000
	Psi 3000		
50	MPa 20,7	GM2GGT8F024I000	GM2GGT8F044I000
	Psi 3000		
65	MPa 15	GM2GGT9F024I000	GM2GGT9F044I000
	Psi 3000		
80	MPa 10	GM2GGTAF024I000	GM2GGTAF044I000
	Psi 3000		
100	MPa 5	GM2GGTBF024I000	GM2GGTBF044I000
	Psi 3000		



GM ANSI/ASME B1.20.1 NPT

TYPE	DN		A	B	C	D	E	F	ØG*	H	I	ØM	SW	ØLW	WEIGHT
GM N 1/4	6	mm	48,5	22	72	44	9,4	65	45	107	108	N 1/4	9	6	kg 0,82
		inch	1,91	0,87	2,83	1,73	0,37	2,56	1,77	4,21	4,25		0,35	0,24	lb 1,81
GM N 3/8	10	mm	48,5	22	73	44	9,4	65	45	107	105	N 3/8	9	10	kg 0,82
		inch	1,91	0,87	2,87	1,73	0,37	2,56	1,77	4,21	4,13		0,35	0,39	lb 1,81
GM N 1/2	13	mm	53	24	81	48	9,4	70	49	107	113	N 1/2	9	13	kg 1,041
		inch	2,09	0,94	3,19	1,89	0,37	2,76	1,93	4,21	4,45		0,35	0,51	lb 2,30
GM N 3/4	20	mm	66	30	98	62	13,4	88	61	200	123	N 3/4	14	20	kg 2,089
		inch	2,60	1,18	3,86	2,44	0,53	3,46	2,40	7,87	4,84		0,55	0,79	lb 4,61
GM N 1	25	mm	98	36	106	66	13,4	98	73	200	123	N 1	14	25	kg 2,822
		inch	3,86	1,42	4,17	2,60	0,53	3,86	2,87	7,87	4,84		0,55	0,98	lb 6,22
GM N 1 1/4	32	mm	89,5	43	127	75	14,5	112	86	310	166	N 1 1/4	17	32	kg 4,508
		inch	3,52	1,69	5,00	2,95	0,57	4,41	3,39	12,20	6,54		0,67	1,26	lb 9,94
GM N 1 1/2	40	mm	106	53	135	85	14	129	106	310	184	N 1 1/2	17	40	kg 6,89
		inch	4,17	2,09	5,31	3,35	0,55	5,08	4,17	12,20	7,24		0,67	1,57	lb 15,19
GM N 2	50	mm	116	59	160	98	13,5	138	118	310	194	N 2	17	50	kg 9,628
		inch	4,57	2,32	6,30	3,86	0,53	5,43	4,65	12,20	7,64		0,67	1,97	lb 21,23
GM N 2 1/2	65	mm	140	70	174	105	23,5	176,5	150	600	226	N 2 1/2	19	65	kg 17,506
		inch	5,51	2,76	6,85	4,13	0,93	6,95	5,91	23,62	8,90		0,75	2,56	lb 38,59
GM N 3	80	mm	155	77,5	191,5	114	23,5	191	167	600	241	N 3	19	80	kg 22,896
		inch	6,10	3,05	7,54	4,49	0,93	7,52	6,57	23,62	9,49		0,75	3,15	lb 50,48
GM N 4	100	mm	188	94	230	148	31	231,5	200	600	278,5	N 4	24	100	kg 36,999
		inch	7,40	3,70	9,06	5,83	1,22	9,11	7,87	23,62	10,96		0,94	3,94	lb 81,57

* This quote is a diameter for DN65-DN80-DN100. For all other sizes it is a polygon (8 or 12 sides)

(POM SEAL) GM ANSI/ASME B1.20.1 NPT PN500

DN	PN	CS	SS
		Carbon Steel	Stainless Steel
		ITEM CODE	
6	MPa 50	GM2NNT15024A000	GM2NNT15044A000
	Psi 7250		
10	MPa 50	GM2NNT25024A000	GM2NNT25044A000
	Psi 7250		
13	MPa 50	GM2NNT35024A000	GM2NNT35044A000
	Psi 7250		
20	MPa 42	GM2NNT44024A000	GM2NNT44044A000
	Psi 6090		
25	MPa 42	GM2NNT53024A000	GM2NNT53044A000
	Psi 6090		
32	MPa 42	GM2NNT63024A000	GM2NNT63044A000
	Psi 6090		
40	MPa 42	GM2NNT73024A000	GM2NNT73044A000
	Psi 6090		
50	MPa 42	GM2NNT83024A000	GM2NNT83044A000
	Psi 6090		
65	MPa 15	GM2NNT9C024A000	GM2NNT9C044A000
	Psi 2175		
80	MPa 10	GM2NNTA1024A000	GM2NNTA1044A000
	Psi 1450		
100	MPa 5	GM2NNTB1024A000	GM2NNTB1044A000
	Psi 725		

(PTFE SEAL) GM ANSI/ASME B1.20.1 NPT S800

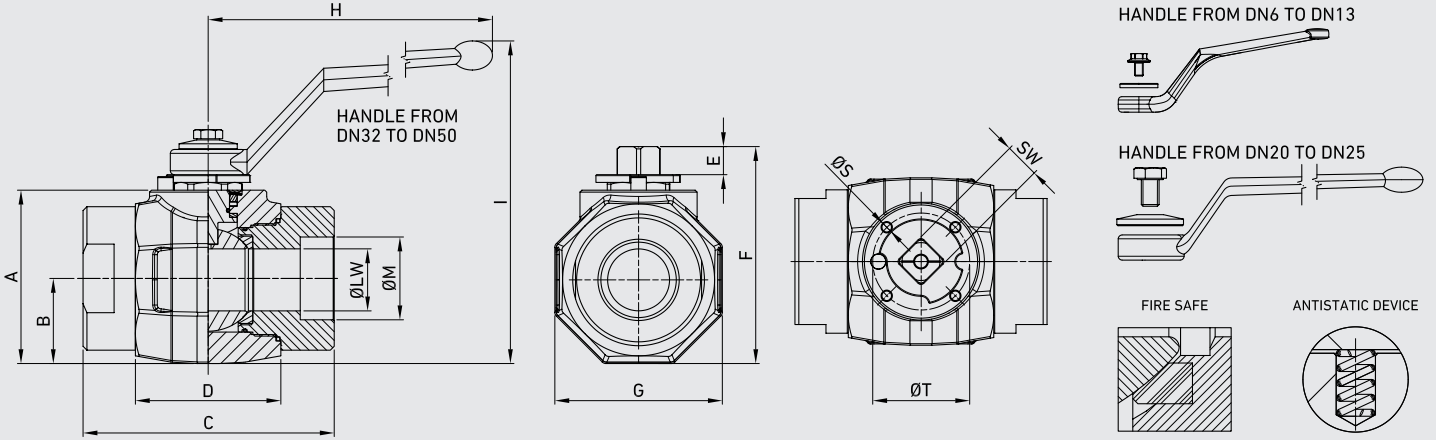
DN	PN	CS	SS
		Carbon Steel	Stainless Steel
		ITEM CODE	
6	MPa 13	GM2NNT1A024F000	GM2NNT1A044F000
	Psi 1885		
10	MPa 13	GM2NNT2A024F000	GM2NNT2A044F000
	Psi 1885		
13	MPa 13	GM2NNT3A024F000	GM2NNT3A044F000
	Psi 1885		
20	MPa 13	GM2NNT4A024F000	GM2NNT4A044F000
	Psi 1885		
25	MPa 13	GM2NNT5A024F000	GM2NNT5A044F000
	Psi 1885		
32	MPa 10	GM2NNT6A024F000	GM2NNT6A044F000
	Psi 1450		
40	MPa 10	GM2NNT7A024F000	GM2NNT7A044F000
	Psi 1450		
50	MPa 10	GM2NNT8A024F000	GM2NNT8A044F000
	Psi 1450		
65	MPa 10	GM2NNT9A024F000	GM2NNT9A044F000
	Psi 1450		
80	MPa 10	GM2NNTAA024F000	GM2NNTAA044F000
	Psi 1450		
100	MPa 5	GM2NNTBA024F000	GM2NNTBA044F000
	Psi 725		

(POM SEAL) GM ANSI/ASME B1.20.1 NPT S3000

DN	PN	CS	SS
		Carbon Steel	Stainless Steel
		ITEM CODE	
6	MPa 20,7	GM2NNT1F024A000	GM2NNT1F044A000
	Psi 3000		
10	MPa 20,7	GM2NNT2F024A000	GM2NNT2F044A000
	Psi 3000		
13	MPa 20,7	GM2NNT3F024A000	GM2NNT3F044A000
	Psi 3000		
20	MPa 20,7	GM2NNT4F024A000	GM2NNT4F044A000
	Psi 3000		
25	MPa 20,7	GM2NNT5F024A000	GM2NNT5F044A000
	Psi 3000		
32	MPa 20,7	GM2NNT6F024A000	GM2NNT6F044A000
	Psi 3000		
40	MPa 20,7	GM2NNT7F024A000	GM2NNT7F044A000
	Psi 3000		
50	MPa 20,7	GM2NNT8F024A000	GM2NNT8F044A000
	Psi 3000		
65	MPa 15	GM2NNT9F024A000	GM2NNT9F044A000
	Psi 2175		
80	MPa 10	GM2NNTAF024A000	GM2NNTAF044A000
	Psi 1450		
100	MPa 5	GM2NNTBF024A000	GM2NNTBF044A000
	Psi 725		

(GEMPTFE SEAL) GM ANSI/ASME B1.20.1 NPT S3000

DN	PN	CS	SS
		Carbon Steel	Stainless Steel
		ITEM CODE	
6	MPa 20,7	GM2NNT1F024I000	GM2NNT1F044I000
	Psi 3000		
10	MPa 20,7	GM2NNT2F024I000	GM2NNT2F044I000
	Psi 3000		
13	MPa 20,7	GM2NNT3F024I000	GM2NNT3F044I000
	Psi 3000		
20	MPa 20,7	GM2NNT4F024I000	GM2NNT4F044I000
	Psi 3000		
25	MPa 20,7	GM2NNT5F024I000	GM2NNT5F044I000
	Psi 3000		
32	MPa 20,7	GM2NNT6F024I000	GM2NNT6F044I000
	Psi 3000		
40	MPa 20,7	GM2NNT7F024I000	GM2NNT7F044I000
	Psi 3000		
50	MPa 20,7	GM2NNT8F024I000	GM2NNT8F044I000
	Psi 3000		
65	MPa 15	GM2NNT9F024I000	GM2NNT9F044I000
	Psi 3000		
80	MPa 10	GM2NNTAF024I000	GM2NNTAF044I000
	Psi 3000		
100	MPa 5	GM2NNTBF024I000	GM2NNTBF044I000
	Psi 3000		



GM SW

TYPE	DN		A	B	C	D	E	F	ØG*	H	I	ØM	SW	ØLW	WEIGHT
GM SW 1/4	6	mm	48,5	22	72	44	9,4	65	45	107	108	SW 1/4	9	6	kg 0,82
		inch	1,91	0,87	2,83	1,73	0,37	2,56	1,77	4,21	4,25		0,35	0,24	lb 1,81
GM SW 3/8	10	mm	48,5	22	73	44	9,4	65	45	107	105	SW 3/8	9	10	kg 0,82
		inch	1,91	0,87	2,87	1,73	0,37	2,56	1,77	4,21	4,13		0,35	0,39	lb 1,81
GM SW 1/2	13	mm	53	24	81	48	9,4	70	49	107	113	SW 1/2	9	13	kg 1,041
		inch	2,09	0,94	3,19	1,89	0,37	2,76	1,93	4,21	4,45		0,35	0,51	lb 2,30
GM SW 3/4	20	mm	66	30	98	62	13,4	88	61	200	123	SW 3/4	14	20	kg 2,089
		inch	2,60	1,18	3,86	2,44	0,53	3,46	2,40	7,87	4,84		0,55	0,79	lb 4,61
GMSW 1	25	mm	98	36	106	66	13,4	98	73	200	123	SW 1	14	25	kg 2,822
		inch	3,86	1,42	4,17	2,60	0,53	3,86	2,87	7,87	4,84		0,55	0,98	lb 6,22
GM SW 1 1/4	32	mm	89,5	43	127	75	14,5	112	86	310	166	SW 1 1/4	17	32	kg 4,508
		inch	3,52	1,69	5,00	2,95	0,57	4,41	3,39	12,20	6,54		0,67	1,26	lb 9,94
GM SW 1 1/2	40	mm	106	53	135	85	14	129	106	310	184	SW 1 1/2	17	40	kg 6,89
		inch	4,17	2,09	5,31	3,35	0,55	5,08	4,17	12,20	7,24		0,67	1,57	lb 15,19
GM SW 2	50	mm	116	59	160	98	13,5	138	118	310	194	SW 2	17	50	kg 9,628
		inch	4,57	2,32	6,30	3,86	0,53	5,43	4,65	12,20	7,64		0,67	1,97	lb 21,23
GM SW 2 1/2	65	mm	140	70	174	105	23,5	176,5	150	600	226	SW 2 1/2	19	65	kg 17,506
		inch	5,51	2,76	6,85	4,13	0,93	6,95	5,91	23,62	8,90		0,75	2,56	lb 38,59
GM SW 3	80	mm	155	77,5	191,5	114	23,5	191	167	600	241	SW 3	19	80	kg 22,896
		inch	6,10	3,05	7,54	4,49	0,93	7,52	6,57	23,62	9,49		0,75	3,15	lb 50,48
GM SW 4	100	mm	188	94	230	148	31	231,5	200	600	278,5	SW 4	24	100	kg 36,999
		inch	7,40	3,70	9,06	5,83	1,22	9,11	7,87	23,62	10,96		0,94	3,94	lb 81,57

* This quote is a diameter for DN65-DN80-DN100. For all other sizes it is a polygon (8 or 12 sides)

(POM SEAL) GM SW PN500

DN	PN	CS	SS
		Carbon Steel	Stainless Steel
		ITEM CODE	
6	MPa 50	GM2TTT15024A000	GM2TTT15044A000
	Psi 7250		
10	MPa 50	GM2TTT25024A000	GM2TTT25044A000
	Psi 7250		
13	MPa 50	GM2TTT35024A000	GM2TTT35044A000
	Psi 7250		
20	MPa 42	GM2TTT44024A000	GM2TTT44044A000
	Psi 6090		
25	MPa 42	GM2TTT53024A000	GM2TTT53044A000
	Psi 6090		
32	MPa 42	GM2TTT63024A000	GM2TTT63044A000
	Psi 6090		
40	MPa 42	GM2TTT73024A000	GM2TTT73044A000
	Psi 6090		
50	MPa 42	GM2TTT83024A000	GM2TTT83044A000
	Psi 6090		
65	MPa 15	GM2TTT9C024A000	GM2TTT9C044A000
	Psi 2175		
80	MPa 10	GM2TTTA1024A000	GM2TTTA1044A000
	Psi 1450		
100	MPa 5	GM2TTTBI024A000	GM2TTTBI044A000
	Psi 725		

(PTFE SEAL) GM SW S800

DN	PN	CS	SS
		Carbon Steel	Stainless Steel
		ITEM CODE	
6	MPa 13	GM2TTT1A024F000	GM2TTT1A044F000
	Psi 1885		
10	MPa 13	GM2TTT2A024F000	GM2TTT2A044F000
	Psi 1885		
13	MPa 13	GM2TTT3A024F000	GM2TTT3A044F000
	Psi 1885		
20	MPa 13	GM2TTT4A024F000	GM2TTT4A044F000
	Psi 1885		
25	MPa 13	GM2TTT5A024F000	GM2TTT5A044F000
	Psi 1885		
32	MPa 13	GM2TTT6A024F000	GM2TTT6A044F000
	Psi 1885		
40	MPa 13	GM2TTT7A024F000	GM2TTT7A044F000
	Psi 1885		
50	MPa 13	GM2TTT8A024F000	GM2TTT8A044F000
	Psi 1885		

(POM SEAL) GM SW S3000

DN	PN	CS	SS
		Carbon Steel	Stainless Steel
		ITEM CODE	
6	MPa 20,7	GM2TTT1F024A000	GM2TTT1F044A000
	Psi 3000		
10	MPa 20,7	GM2TTT2F024A000	GM2TTT2F044A000
	Psi 3000		
13	MPa 20,7	GM2TTT3F024A000	GM2TTT3F044A000
	Psi 3000		
20	MPa 20,7	GM2TTT4F024A000	GM2TTT4F044A000
	Psi 3000		
25	MPa 20,7	GM2TTT5F024A000	GM2TTT5F044A000
	Psi 3000		
32	MPa 20,7	GM2TTT6F024A000	GM2TTT6F044A000
	Psi 3000		
40	MPa 20,7	GM2TTT7F024A000	GM2TTT7F044A000
	Psi 3000		
50	MPa 20,7	GM2TTT8F024A000	GM2TTT8F044A000
	Psi 3000		
65	MPa 15	GM2TTT9F024A000	GM2TTT9F044A000
	Psi 3000		
80	MPa 10	GM2TTTAF024A000	GM2TTTAF044A000
	Psi 3000		
100	MPa 5	GM2TTTBF024A000	GM2TTTBF044A000
	Psi 3000		

(GEMPTFE SEAL) GM SW S3000

DN	PN	CS	SS
		Carbon Steel	Stainless Steel
		ITEM CODE	
6	MPa 20,7	GM2TTT1F024I000	GM2TTT1F044I000
	Psi 3000		
10	MPa 20,7	GM2TTT2F024I000	GM2TTT2F044I000
	Psi 3000		
13	MPa 20,7	GM2TTT3F024I000	GM2TTT3F044I000
	Psi 3000		
20	MPa 20,7	GM2TTT4F024I000	GM2TTT4F044I000
	Psi 3000		
25	MPa 20,7	GM2TTT5F024I000	GM2TTT5F044I000
	Psi 3000		
32	MPa 20,7	GM2TTT6F024I000	GM2TTT6F044I000
	Psi 3000		
40	MPa 20,7	GM2TTT7F024I000	GM2TTT7F044I000
	Psi 3000		
50	MPa 20,7	GM2TTT8F024I000	GM2TTT8F044I000
	Psi 3000		
65	MPa 15	GM2TTT9F024I000	GM2TTT9F044I000
	Psi 3000		
80	MPa 10	GM2TTTAF024I000	GM2TTTAF044I000
	Psi 3000		
100	MPa 5	GM2TTTBF024I000	GM2TTTBF044I000
	Psi 3000		