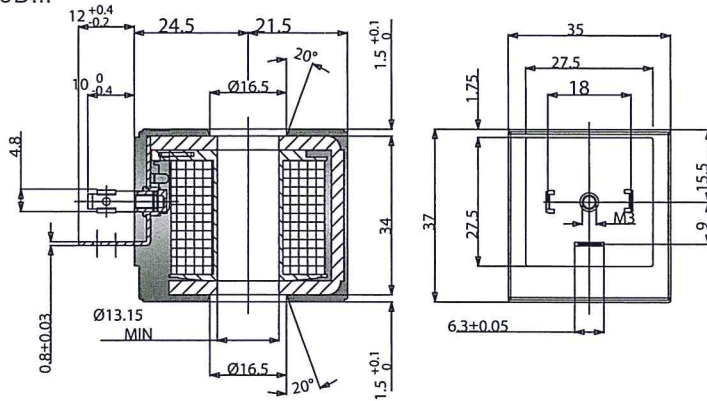


EVI 5P/13

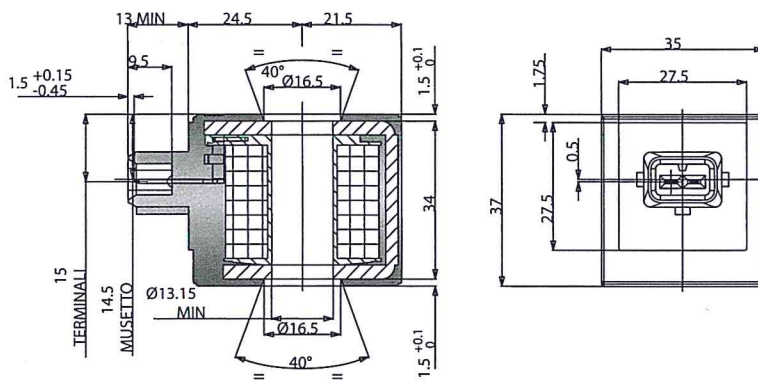
DIN 43650 A

code 5P13D...



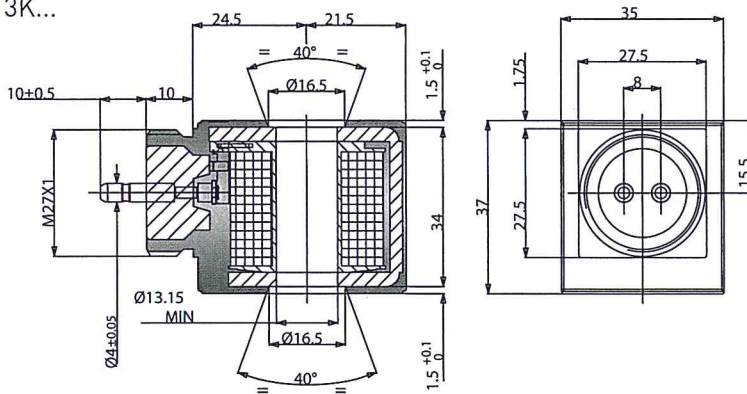
AMP JUNIOR

code 5P13A...



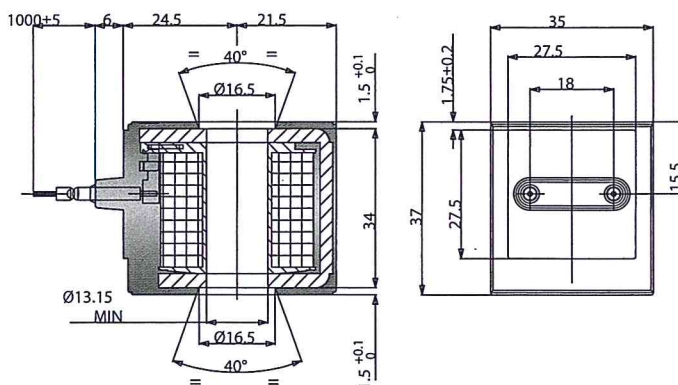
KOSTAL M27x1

code 5P13K...

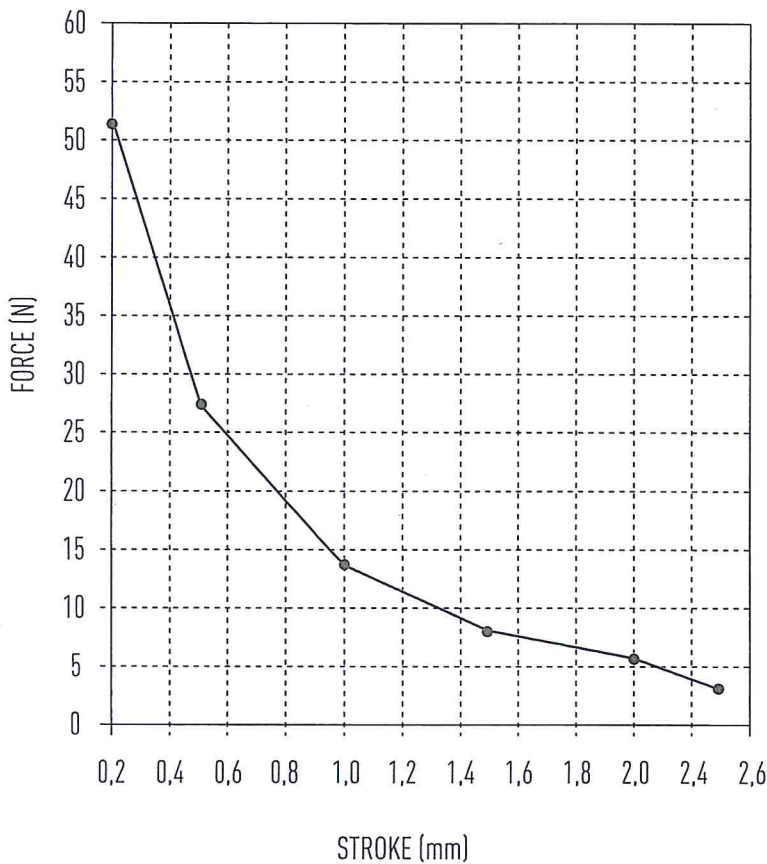


FLYING LEADS

code 5P13C...



EVI 5P/13



Force stroke curve at -10% nominal voltage and stabilized duty temperature. This graph has to be intended as an indication. In fact it can change according to the specific applications. **This graph is referred at 13W version.**

		DC		AC 50/60 Hz	
		W	VA	W	VA
Rated power DC	W	13	17		
Inrush power AC	VA			32/27	37/31
Rated power AC	VA			19/16	22/18
Coil temperature rise	°C	55	70	45/36	55/45
Copper temperature rise	°C	85	105	86/72	100/85

Above-mentioned AC consumption have to be intended only as indicative. They may change according to the tube design solutions.

Coil type EVI 5P/13 is suitable for pneumatics and hydraulics.

TECHNICAL DATA:

Power: 13 Watt (pneumatic std) 17 Watt (hydraulic std)
Force: see the graph
Duty Cycle: 100% ED (continuous) at power and temperatures indicated
Standard operating voltages: 12-24 VDC 24-110-230 VAC
 Other voltages on request
Operating voltage range:
 max: 10% over the nominal voltage
 min: according to the specific application
Operating temperature range: -20°C ÷ +50°C
Coil insulation: class F

GENERAL CONSTRUCTION:

According to EN 60204.1 and DIN VDE 0580

MATERIALS:

Wire class H200°C
 Encapsulant: glass filled Polyamide 6.6
 Other materials on request

ELECTRICAL CONNECTIONS:

Degree of protection: IP 54 (EN 60529)

With connector and suitable seals it can reach:

DIN 43650A IP65
 FLYING LEADS IP67
 KOSTAL M27x1 integrated IP67
 AMP JUNIOR integrated IP65



DICHIARAZIONE DI CONFORMITA'
 DECLARATION OF CONFORMITY



Noi: AMISCO S.p.A.
 We: Via Piaggio, 30
 I-20017 Paderno D. M. - ITALY

dichiariamo sotto la nostra responsabilità che il prodotto:
 declare under our sole responsibility that the product:

Bobina tipo: EVI 5P13 (V_{nom} = fino a 240V P_{nom} = fino a 17W [DC] o 22VA [AC]) (1)
 T_{amb} = fino a 50°C

Coil type: EVI 5P13 (V_{nom} = up to 240V P_{nom} = up to 17W [DC] or 22VA [AC]) (1)
 T_{amb} = up to 50°C

(1) V_{nom} = tensione nominale P_{nom} = potenza nominale T_{amb} = temperatura ambiente
 Tolleranza sui valori nominali: ± 10%

(2) Tipo di connessione e altre informazioni sono reperibili sul Catalogo AMISCO

(3) V_{nom} = nominal voltage P_{nom} = nominal power T_{amb} = ambient temperature
 Tolerance range on nominal values: ± 10%

Type of connection and other information are on Amisco's Catalogue

a cui si riferisce questa dichiarazione, è conforme a quanto richiesto dalla seguente direttiva:

to which this declaration relates, is in conformity with the provisions of the following directive:

2006/95/CE
 2006/95/CF

con riferimento a quanto applicabile delle seguenti norme:
 with reference (if applicable) to the following standards:

EN 60204.1 - VDE 0580 [ed.2000]



Paderno D. no. 26 Ottobre 2009
 Paderno D. no. 26 October 2009

Dot. Cesare Novellone
 Direttore Tecnico

Tutti i reporti sui Cataloghi Amisco e tutte le minime
 pretese necessarie al fine di evitare eventuali incidenti
 devono essere osservate, durante l'installazione e l'utilizzo
 del prodotto. Questa dichiarazione rende la sua validità se
 il cliente o più sotto, leggiamo, rivede e rispetta
 e lo fanno un uso improprio del prodotto.

The data supplied in AMISCO Catalogues are to be
 consulted, and pertinent accident prevention regulations
 are to be followed during product installation and use.
 Any unauthorized work performed by purchaser or by third
 parties can impair its functions, and release AMISCO of all
 warranty claims and liability for any resulting damage.