

BC220/225 Dimensions & Specs

View and Print

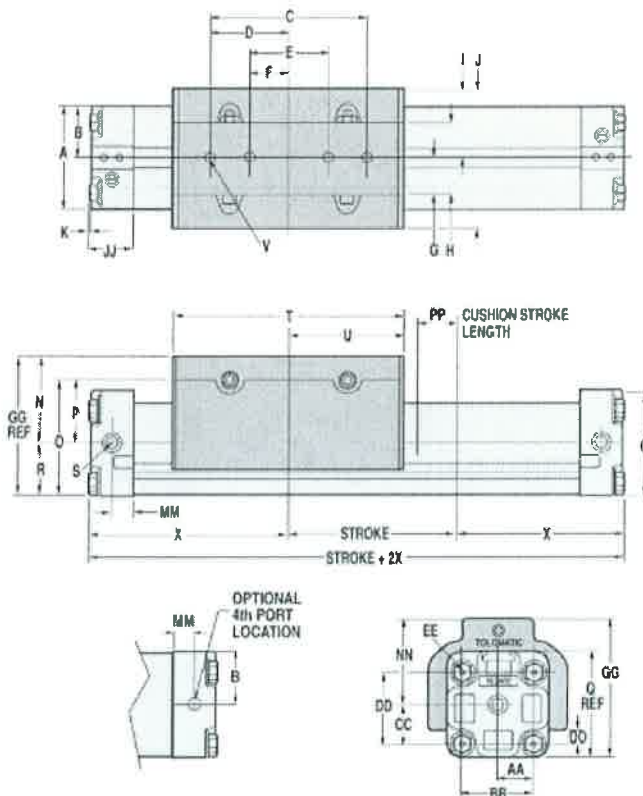
**BC220 & BC225 Solid Bearing Rodless Cylinder**

3D CAD available at [www.tolomatic.com](http://www.tolomatic.com)



Always use configured CAD solid model to determine critical dimensions

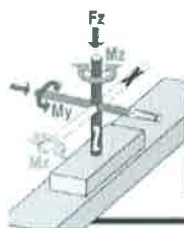
**DIMENSIONS**



	U.S.20	U.S.25	Metric20	Metric25
A	3.25	4.25	82.6	108.0
B	1.62	2.13	41.1	54.1
C	5.00	6.00	127.0	152.4
D	2.50	3.00	63.5	76.2
E	2.50	3.00	63.5	76.2
F	1.25	1.50	31.8	38.1
G	1.16	1.27	29.5	32.4
H	2.30	2.65	58.4	64.8
I	2.22	2.81	56.4	71.4
J	4.44	5.62	112.8	142.8
K	0.06	0.03	1.5	0.8
N	2.75	3.20	69.9	81.3
O	3.69	4.67	93.7	118.6
P	2.00	2.37	50.8	60.2
Q	3.38	4.37	85.9	111.0
R	1.69	2.30	42.9	58.4
S	3/8 NPT (3)	3/8 NPT (3)	M 3/8 BSPT(3) GP 3/8 BSPP(3)	M 3/8 BSPT(3) GP 3/8 BSPP(3)
T	7.37	8.86	187.2	225.0
U	3.68	4.43	93.5	112.5
V	3/8-16 UNC x .44 DP	3/8-16 UNC x .50 DP	M10 x 11 DP	M10 x 12 DP
X	6.30	8.45	160.0	214.6
AA	1.12	1.44	28.5	36.6
BB	2.25	2.88	57.2	73.2
CC	1.25	1.75	31.8	44.5
DD	2.25	2.88	57.2	73.2
EE	5/16-18 x .88 DP	5/16-18 x .88 DP	M8 x 22 DP	M8 x 22 DP
GG	4.44	5.50	112.8	139.7
JJ	1.44	2.06	36.8	52.3
MM	0.69	1.00	17.5	25.4
NN	2.75	3.20	69.9	81.3
OO	0.43	0.76	10.9	19.3
PP	1.35	1.97	34.3	50.0
	INCHES		MILLIMETERS	

**SPECIFICATIONS**

**BC220/25 BENDING MOMENTS AND LOAD**



	BORE SIZE	MAX. BENDING MOMENT			MAX. LOAD
		My	Mx	Mz	Fz
U.S.20	2.00 in	1,100 in-lbs	300 in-lbs	325 in-lbs	300 lbs
U.S.25	2.50 in	1,800 in-lbs	450 in-lbs	400 in-lbs	400 lbs
Metric20	50 mm	124.28 N-m	33.90 N-m	36.72 N-m	136.05 kg
Metric25	63 mm	203.37 N-m	50.84 N-m	45.19 N-m	181.4 kg