



ISO 9001:2015 by L.R.  
PED DIR. 2014/68/UE by L.R.  
ATEX DIR. 2014/34/UE by B.V.  
FIRE SAFE EXECUTION by L.R.  
ISO 15848 by TÜV (UP TO PN 63)  
ANTISTATIC DEVICE by L.R.  
FIRE SAFE TESTED ISO 10497 by L.R.  
EAC CERTIFICATION by B.V.

TYPE  
**FP3**  
PN 20 ÷ 100

NORME E DIRETTIVE APPLICATE DISPONIBILI AL SEGUENTE LINK:  
STANDARD AND DIRECTIVE APPLIED AVAILABLE AT FOLLOWING LINK:  
[http://www.adlerspa.com/pdf/NORME\\_ADLER.pdf](http://www.adlerspa.com/pdf/NORME_ADLER.pdf)

## VALVOLE A SFERA "3 PEZZI" PASSAGGIO TOTALE GAS ISO 7-1 - ANSI B1.20.1 NPT - S.W. - B.W.

ISO nbr° LRC 0160281 QMS issued by L.R.Q.A. PED nbr° COV 0212112/01 issued by L.R.V.  
ATEX nbr° 40.2003.4392 issued by B.V. ISO 15848 nbr° I-148466/1-/2 issued by TÜV



On request  
S.I.L. 3  
According to IEC 61508

On request  
Certified  
TPED 2010/35/UE  
ADR/RID/ADNR 2019  
EN 14432-2014  
FROM DN 15 TO DN 50 PN 40

On request  
FIRE SAFE  
According to ISO 10497  
"ISO-FT"

CONSTRUCTION ACCORDING TO:  
BS EN 12516-2 - DIN 3202 M3  
ISO 14313

FULL BORE ACCORDING  
TO ISO 14313

**BALL VALVES "3 PIECES" FULL BORE  
ROBINETS A BOISSEAU SPHERIQUE  
"3 PIECES" PASSAGE INTEGRAL  
KUGELHÄHNE "3 TEILIG"  
VOLLER DURCHGANG**

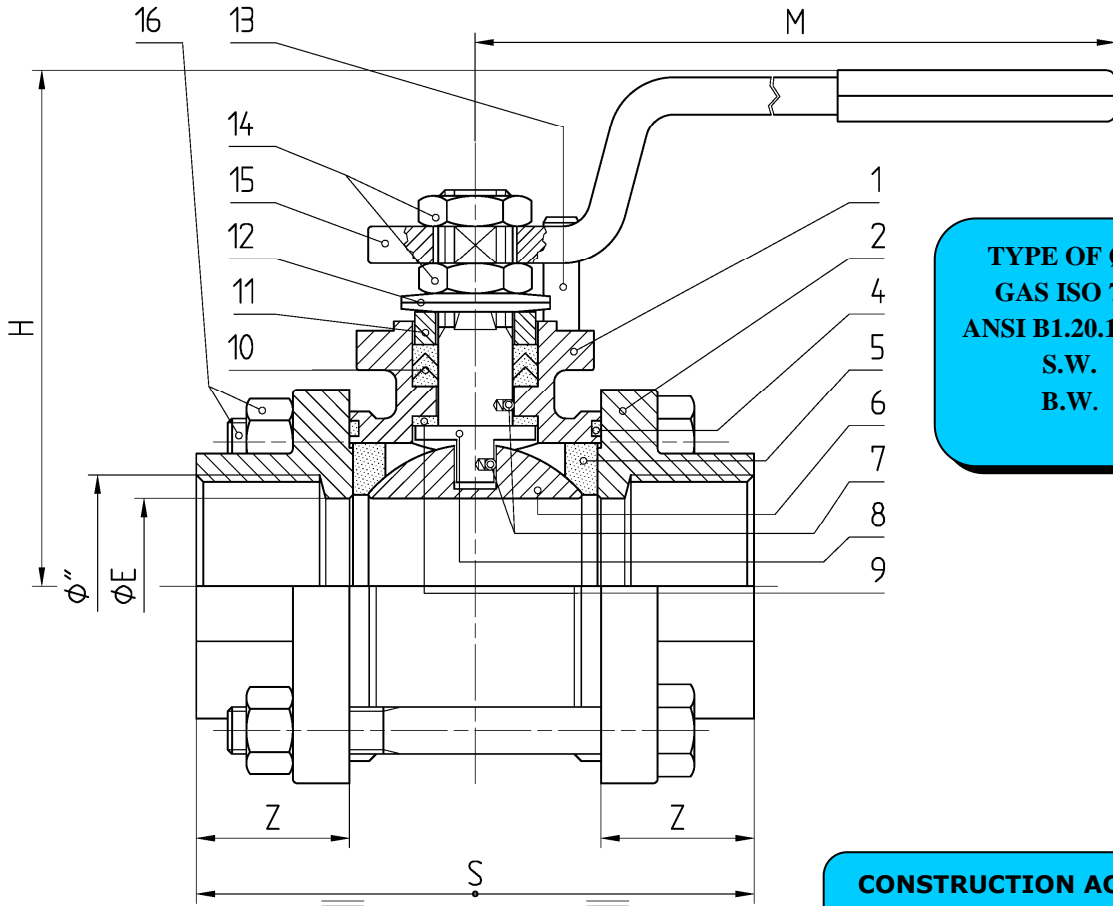
WEB SITE: [WWW.ADLERSPA.COM](http://WWW.ADLERSPA.COM)



ISO 9001:2015 by L.R.  
 PED DIR. 2014/68/UE by L.R.  
 ATEX DIR. 2014/34/UE by B.V.  
 FIRE SAFE EXECUTION by L.R.  
 ISO 15848 by TÜV (UP TO PN 63)  
 ANTISTATIC DEVICE by L.R.  
 FIRE SAFE TESTED ISO 10497 by L.R.  
 EAC CERTIFICATION by B.V.

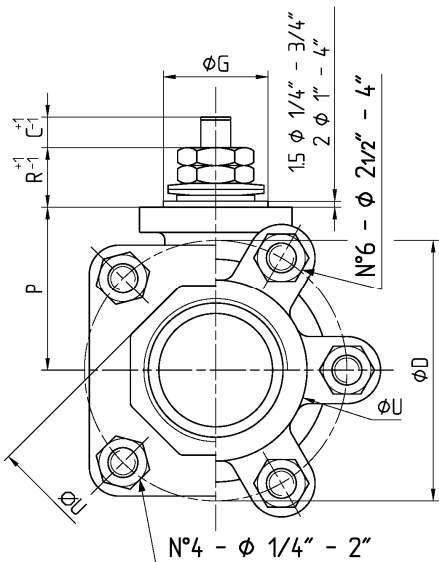
TYPE  
**FP3**  
 PN 20 ÷ 100

**VALVOLA A SFERA "3 PEZZI" PASSAGGIO TOTALE**  
**BALL VALVES "3 PIECE" FULL BORE**  
**ROBINETS A BOISSEAU SPHERIQUE "3 PIECES" PASSAGE INTEGRAL**  
**KUGELHÄHNE "3 TEILIG" VOLLER DURCHGANG**



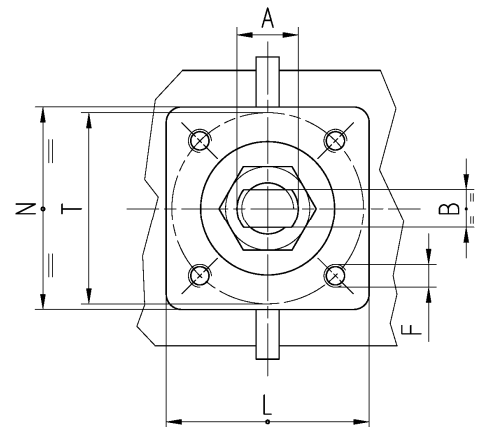
**TYPE OF Ø":**  
 GAS ISO 7-1  
 ANSI B1.20.1 NPT  
 S.W.  
 B.W.

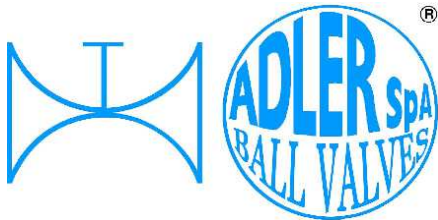
**CONSTRUCTION ACCORDING TO:**  
 BS EN 12516-2 - ISO 14313  
 EN 16722 M3 (ex DIN 3202)



• ACCOPPIAMENTO VALVOLA  
 ATTUATORE  
 • CONNECTION VALVE  
 ACTUATOR  
 • ACCOUPLEMENT ROBINET-  
 ACTIONNEUR  
 • ZUSAMMENBAU KUGELHAHN  
 ANTRIEB

**ISO-5211**





ISO 9001:2015 by L.R.  
 PED DIR. 2014/68/UE by L.R.  
 ATEX DIR. 2014/34/UE by B.V.  
 FIRE SAFE EXECUTION by L.R.  
 ISO 15848 by TÜV (UP TO PN 63)  
 ANTISTATIC DEVICE by L.R.  
 FIRE SAFE TESTED ISO 10497 by L.R.  
 EAC CERTIFICATION by B.V.

TYPE  
**FP3**  
 PN 20 ÷ 100

N.	DESCRIZIONE DESCRIPTION DESCRIPTION BESCHREIBUNG	MATERIALI MATERIALS MATERIAUX WERKSTOFFE
1	CORPO BODY CORPS MITTE	ASTM A 351 CF8M
2	LATERALE END LATERAL ENDE	ASTM A105 (G7/NPT) galvanized ASTM A105 (BW/SW) painted ASTM A 351 CF8M (G7/NPT) ASTM A 351 CF3M (BW/SW)
3		
4*	ANELLO SEAL ANNEAU DICHTUNGSRING	P.T.F.E.
5*	SEDE SEAT SIEGE SITZRING	P.T.F.E. (BAM CERTIFIED) R.P.T.F.E. (OPTIONAL)
6	SFERA BALL BOULE KUGEL	ASTM A479 304/304L ASTM A351 CF8  ASTM A479 316/316L $\varnothing \leq 3/8"$ ASTM A351 CF8M
7	DISPOSITIVO ANTISTATICO ANTISTATIC DEVICE CONTACT ANTISTATIQUE ANTISTATIK VORRICHTUNG	ASTM A479 316/316L
8	STELO STEM TIGE SPINDEL	ASTM A479 304/304L  ASTM A479 316/316L $\varnothing \leq 3/8"$

N.	DESCRIZIONE DESCRIPTION DESCRIPTION BESCHREIBUNG	MATERIALI MATERIALS MATERIAUX WERKSTOFFE
9*	BUSSOLA STEM SEAL JOINT TIGE UNTERE SPINDELABDICHTUNG	P.T.F.E.
10*	PACCO A "V" CHEVRON RINGS JOINT A "V" 3 FACHE DACHMANSCHETTE	P.T.F.E. / GRAFITE P.T.F.E. / GRAPHITE P.T.F.E. / GRAPHITE P.T.F.E. / GRAPHIT
11	PREMIBUSSOLA PRESSING BUSH PRESSE RONDELLE STOPFBUCHSDRUCKRING	ASTM A479 304
12	MOLLE A TAZZA SPRING WASHERS RONDELLES BELLEVILLE TELLERFEDERN	C72/50Cr V <sub>4</sub>  X5CrNi17.7 or X12CrNi17.7  ZINCATO - GALVANIZED - ZINGUE - VERZINKT  ON REQUEST
13	VITE DI FERMO E FERMO PIN AND STOP PIN PLOT ET PLOT D'ARRET ANSCHLAGBOLZEN	UNI 3740 8.8  UNI 3951 A2-70  ZINCATO - GALVANIZED - ZINGUE - VERZINKT  ON REQUEST
14	DADO - CONTRODADO NUT - LOCK NUT ECROU - CONTRE-ECROU MUTTER - KONTERMUTTER	UNI 3740 - 6S  ASTM A479 304  ZINCATO - GALVANIZED ZINGUE - VERZINKT  ON REQUEST
15	LEVA WRENCH LEVIER HANDHEBEL	AISI 1010  ASTM A479 304  ZINCATO/VERNICIATO GALVANIZED/PAINTED ZINGUE/PEINT VERZINKT/GEMALTEN  ON REQUEST
16	BULLONE BOLT BOULON GEWINDEBOLZEN	UNI 3740 8.8  UNI 3951 A2-70  ZINCATO - GALVANIZED - ZINGUE - VERZINKT  ON REQUEST

\* RICAMBI CONSIGLIATI - RECOMMENDED SPARE PARTS - PIECES DE GECHANGE CONSEILLEES - ERSATZTEIL EMPFEHLUNG

## DIMENSIONI - DIMENSION - DIMENSIONS - ABMESSUNGEN

Ø	1/4"	3/8"	1/2"	3/4"	1"	1 1/4"	1 1/2"	2"	2 1/2"	3"	4"	5"	6"	8"
<b>AxB</b>	8x5	8x5	10x6	10x6	12x8	12x8	16x10	16x10	22x14	22x14	30x18			
<b>C</b>	6	6	7	7	10	10	15	15	17	17	17			
<b>D</b>	34,6	34,6	43,1	49,2	60,8	67,9	84	101,8	123	143	176			
<b>E</b>	10	10	15	19	25	30	38	51	64	76	101			
<b>F</b>	M5	M5	M5	M5	M5	M5	M6	M6	M8	M8	M8			
<b>ISO</b>	F03	F03	F03	F03	F03	F03	F05	F05	F07	F07	F07			
<b>G</b>	25	25	25	25	25	25	35	35	55	55	55			
<b>H</b>	46	46	66	68	85	91	106	116	140	148	174			
<b>L=N</b>	33	33	36	36	36	36	51	51	65	65	70			
<b>M</b>	120	120	145	145	185	185	280	280	370	370	470			
<b>P</b>	22,2	22,2	32,5	35	41	45,5	53	60,5	77,5	86	99,5			
<b>R</b>	7	7	8	8	17	17	20	20	23	23	26			
<b>S</b>	50	60	75	80	90	110	120	140	185	205	240			
<b>T</b>	36	36	36	36	36	36	50	50	70	70	70			
<b>U</b>	12	22	26	32	38	47	54	66	82	95,5	122			
<b>Z</b>	15,1	20,1	24,5	25,7	26,5	32,7	33,2	34,75	51	54	61			
<b>Bolts M</b>	5x40	5x40	6x55	6x55	8x70	8x80	10x90	10x110	12x120	14x140	14x170			
<b>PN</b>	100	100	63	63	40	40	40	40	25	25	20			
<b>Kg</b>	0,3	0,35	0,75	0,85	1,35	1,75	3,3	4,9	11	15	23,5			

- DATI E CARATTERISTICHE SOGGETTI A VARIAZIONI SENZA PREAVVISO
- SPECIFICATIONS SUBJECT TO MODIFICATION WITHOUT PRIOR NOTICE
- TOUS DROITS DE MODIFICATION RESERVES
- KONSTRUKTIONÄNDERUNGEN VORBEHALTEN



ADLER SpA - BALL VALVES  
 20010 S. STEFANO TICINO (MI) ITALY V.le BORLETTI, 14 Tel. +39/02974842.11 FAX +39/0297271698  
 E-mail: [adler@adlerspa.com](mailto:adler@adlerspa.com) <http://www.adlerspa.com>



ISO 9001:2015 by L.R.  
 PED DIR. 2014/68/UE by L.R.  
 ATEX DIR. 2014/34/UE by B.V.  
 FIRE SAFE EXECUTION by L.R.  
 ISO 15848 by TÜV (UP TO PN 63)  
 ANTISTATIC DEVICE by L.R.  
 FIRE SAFE TESTED ISO 10497 by L.R.  
 EAC CERTIFICATION by B.V.

TYPE  
**FP3**  
 PN 20 ÷ 100

• ESECUZIONI • EXECUTIONS • EXECUTIONS • AUSFÜHRUNGEN



EXECUTION 4- 12



EXECUTION 6 - 16

**S** STANDARD

**O** OPTIONAL

ONLY FOR VALVES  $\geq$  DN 50 **S**

FORO DI BILANCIAMENTO  
 BALANCING HOLE  
 TROU DE BALANCEMENT  
 DRUCKENTLASTUNGSBOHRUNG

ON REQUEST AVAILABLE ON DN  $\leq$  40

**DECLARATION ATEX  
 FOR ZONE 1-2**

**3** **S**

-TIRANTI GUIDATI - GUIDED BOLTS  
 -BOULONS GUIDES -ZUGBOLZEN GEFÜHRT

**4** **S**

-STELO ANTI ESPULSIONE -ANTI BLOW OUT STEM  
 -TIGE ANTIEXPULSION -AUSBLASGESICHERETE WELLE

-PACCO A "V" -CHEVRON RINGS  
 -JOINT A "V" -3 FACHE DACHMANSCHETE  
 ANTISTATIC DEVICE ANTISTATIK VORRICHTUNG  
 BS 5146

**5** **O**

DN 10 ÷ 32

103 (DN 10 - 20)  
 145 (DN 25 - 32)

79 (DN 10 - 20)  
 57

-MANIGLIA OVALE - OVAL HANDLE  
 -LEVIER OVAL -HANDHEBEL IN OVALFORM

**6** **O**

**BREVETTO - PATENTED**  
**00219688 - 21-04-1993**

FKM (VITON)

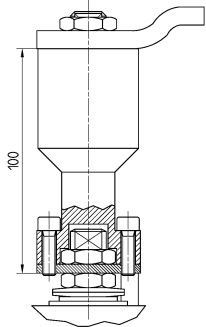
-"O" RING STELO "O" RING ON STEM  
 -TIGE AVEC "O" RING  
 -"O" RING IM SPINDELBEREICH



ISO 9001:2015 by L.R.  
 PED DIR. 2014/68/UE by L.R.  
 ATEX DIR. 2014/34/UE by B.V.  
 FIRE SAFE EXECUTION by L.R.  
 ISO 15848 by TÜV (UP TO PN 63)  
 ANTISTATIC DEVICE by L.R.  
 FIRE SAFE TESTED ISO 10497 by L.R.  
 EAC CERTIFICATION by B.V.

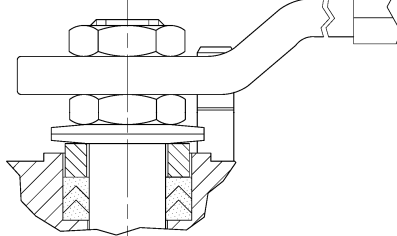
TYPE  
**FP3**  
 PN 20 ÷ 100

**7** **O**



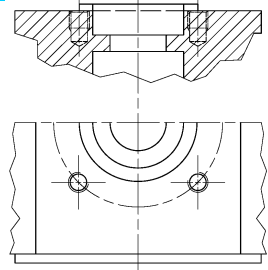
-PROLUNGA STELO -STEM EXTENSION  
 -TIGE PROLONGEE -SPINDELVERLÄNGERUNG

**8** **O**



-PARTICOLARI INOX  
 -STAINLESS STEEL DETAILS  
 -ACCESSOIRES EN INOX  
 -EDELSTAHLTEILE

**9** **S**

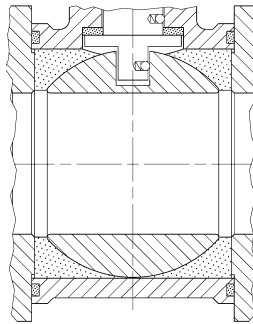


-ATTACCO "ISO" -"ISO" CONNECTIONS  
 -SYSTEM "ISO" -ANSCHLUSS "ISO"

**THREAD GAUGES**



**11** **O**



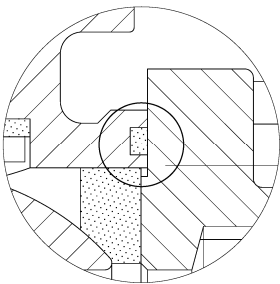
-TENUTA INTEGRALE -POCKETLESS SEATS  
 -TENUCE INTEGRALE -TOTRAUMARM

**12** **O**

**FIRE SAFE**  
**ISO 10497 "ISO-FT"**  
**(BS 6755 / API 607)**



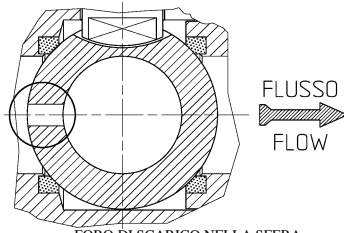
**13** **S**



-ANELLO CONTENUTO -ANNEAU CONTENU  
 -CONTAINED SEAL -DICHTRING GEKAMMERT

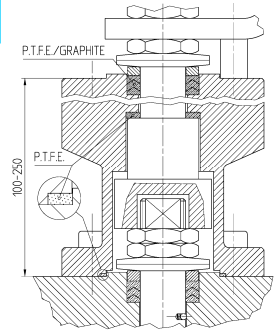
**14** **O**

VEDERE / SEE ANSI B16.34



-FORO DI SCARICO NELLA SFERA  
 -OVERPRESSURE HOLE INTO BALL  
 -TROU DECOMPRESSION DANS LA BOULE  
 -ENTLASTUNGSBOHRUNG IN DER KUGEL  
**VALVOLA MONO DIREZIONALE**  
**MONO-DIRECTIONAL VALVE**

**15** **O**



-SERVIZIO CRIOGENICO - CRYOGENIC SERVICE  
 -SERVICE CRYOGENIQUE  
 -TIEFTEMPERATUR SERVICE

**16** **O**

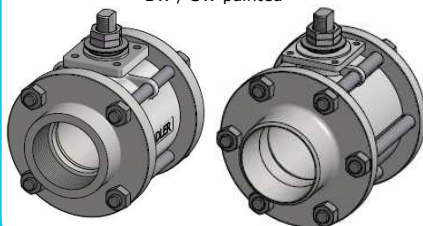


-FIRE SAFE ISO FT+ "O" RING STELO  
 -FIRE SAFE ISO FT+ "O" RING ON STEM  
 -SECURITE FEU ISO FT+ TIGE AVEC "O" RING  
 -FEUERSICHERE AUSFÜHRUNG ISO FT+  
 "O" RING IM SPINDELBEREICH

**17** **S**

**LATERALI DA BARRA**  
**ENDS FROM BAR STOCK**

(ASTM A 105)  
 G7 / NPT galvanized  
 BW / SW painted



**18** **S**

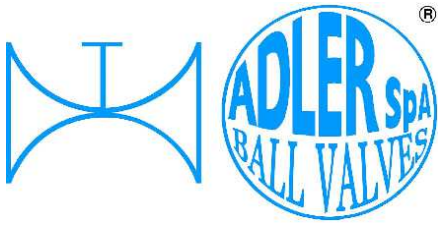
**LATERALI MICROFUSI**  
**MICROCAST ENDS**

(ASTM A351 CF8M TYPE G7 and NPT)  
 (ASTM A351 CF3M TYPE BW and SW)



Ø1/4" - 2"

Ø2 1/2" - 4"



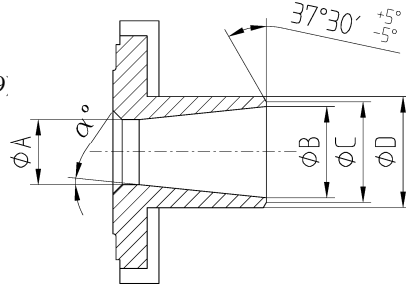
ISO 9001:2015 by L.R.  
 PED DIR. 2014/68/UE by L.R.  
 ATEX DIR. 2014/34/UE by B.V.  
 FIRE SAFE EXECUTION by L.R.  
 ISO 15848 by TÜV (UP TO PN 63)  
 ANTISTATIC DEVICE by L.R.  
 FIRE SAFE TESTED ISO 10497 by L.R.  
 EAC CERTIFICATION by B.V.

TYPE  
**FP3**  
 PN 20 ÷ 100

**DIMENSIONI LATERALI - ENDS DIMENSION - DIMENSIONS LATERAL - ABMESSUNGEN GEHÄUSEFLANSCH**

**BUTT WELDING  
 UNI EN 12627**

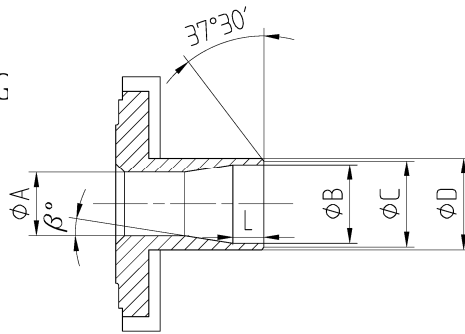
(Standard ADLER – EX DIN 3239)



Ø	1/4"	3/8"	1/2"	3/4"	1"	1 1/4"	1 1/2"	2"	2 1/2"	3"	4"
Ø A	10	10	15	19	25	30	38	51	64	76	101
Ø B	10	13	17	22	28	36.2	43	54	70	82	106
Ø C	12	15	19	24	30	38.2	45	56	72	84	108
Ø D	14	18	22	28	34	42.2	49	61	77	90	115
α °	0	5°	3°	4°	4°	7°	5°	3°	4°	5°	3°

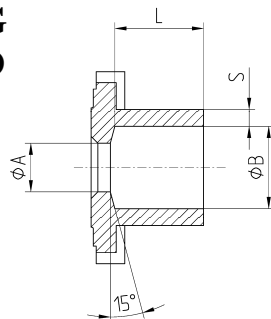
**BUTT WELDING  
 ANSI B 16.25**

(OPTIONAL)



Ø	1/4"	3/8"	1/2"	3/4"	1"	1 1/4"	1 1/2"	2"	2 1/2"	3"	4"
Ø A	10	10	15	19	25	30	38	51	64	76	101
Ø B	10	12,5	15,8	21	26,7	35,1	40,9	52,5	62,7	77,9	102,3
Ø C	11,6	14,1	17,4	22,6	28,3	36,7	42,5	54,5	64,7	79,9	104,3
Ø D	14	17,5	22	27,5	34,5	43,5	50	62	73	90	114,3
L		3,5	4,2	4,3	5,1	5,4	5,6	5,9	7,8	-	9,1
β °		5°	5°	4°	3°	7°	4°	2°	2°	2°	2°

**SOCKET WELDING  
 ADLER STANDARD**



Ø	1/4"	3/8"	1/2"	3/4"	1"	1 1/4"	1 1/2"	2"	2 1/2"	3"	4"
Ø A	10	10	15	19	25	30	38	51	64	76	101
Ø B	13,8	17,7	21,8	27,4	34,2	42,8	48,9	61	76,6	89,6	115,5
L	10	16,5	21	21	21	26	26,6	27,3	42,5	46	51
L*	10	10	10	13	13	13	13	16	16	16	20
S	2,1	2,15	2,1	2,3	1,8	2,1	2,55	2,5	2,7	2,95	3,4

\* Laterale da barra / End by bar