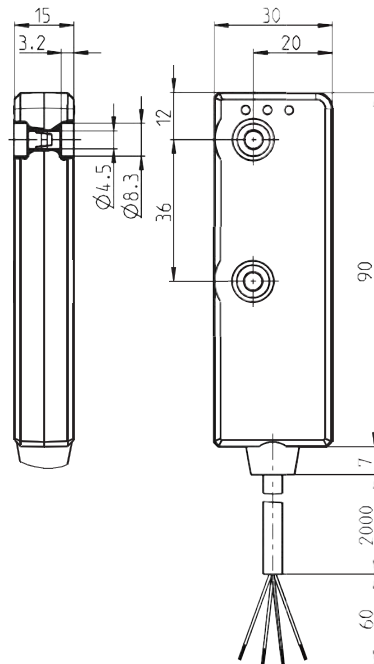
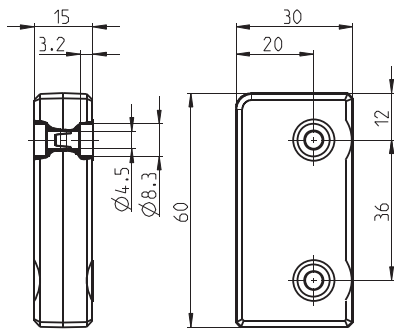


Safety switch
Series CSMS

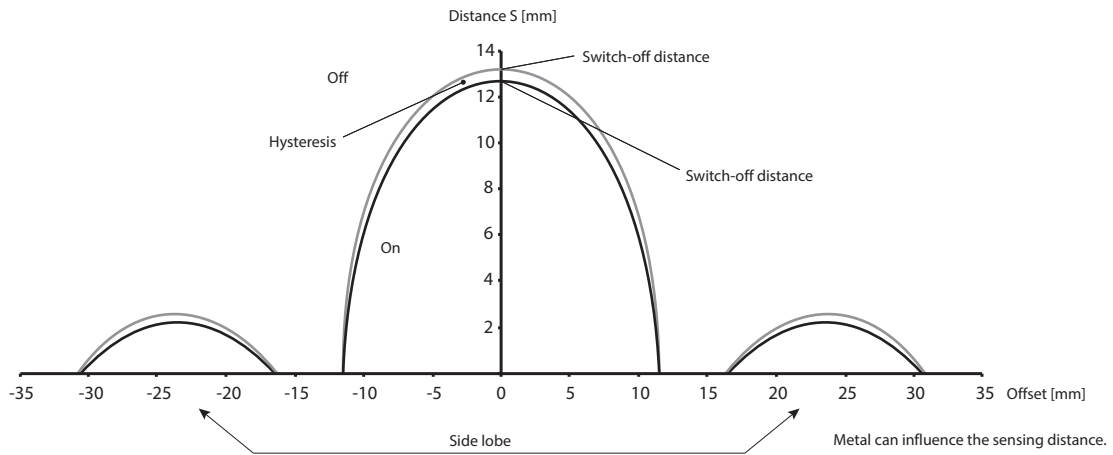
Type designation CSMS-SET-A-L-KA	Article number 6075988073
---	----------------------------------

Set bestehend aus		
Article number	Type designation	Designation
6075985070	CSMS-M-A-L-KA	CSMS, cable version
6075980065	CSMS-S-L	Actuator

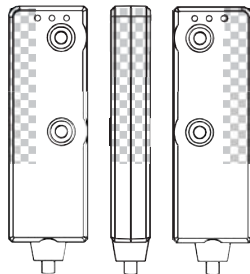
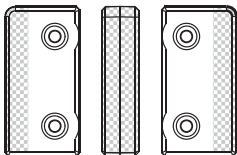
6075980065	6075985070
-------------------	-------------------



Sensing distance				
		min.	typ.	max.
Rated sensing distance	S_n		13 mm	
Assured sensing distance – On	S_{ao}	10 mm		
Hysteresis	H		0,5 mm	
Assured sensing distance – Off	S_{ar}			19 mm



Active surfaces



Connection

- BN – +
- WH – Q1
- BU – –
- BK – Q2

Electrical Data		
Rated operating voltage	U_e	24 V, Reverse polarity protection, +10 %, -15 %
Voltage level		according to Typ 3 EN 61131-2
Rated insulation voltage	U_i	75 V DC
Rated impulse withstand voltage	U_{imp}	500 V
Rated conditional short circuit current		100 A
No-load current	I_0	≤ 40 mA
Transponder frequency		6,78 MHz
Repeatability		0,1 x S (within the limits Smin and Smax)
Operating frequency		≤ 1Hz
Switch-off	t_a	13 ms + 200 μs x following CSMS
Time delay	t_v	320 ms + 50 ms x following CSMS
Electromagnetic interference		according to EN IEC 60947-5-2 and EN 61326-3-1
Outputs Q1,Q2		
Switching element function		pnp NO
Rated operating current	I_e	250 mA
Minimum operating current	I_m	1 mA DC
Leakage current	I_r	0,5 mA DC
Switching elements		Sustained short-circuit and overload protection
Voltage drop	U_d	≤ 1 V
Type of short circuit protection		Clocking
Utilization category		DC-13

Mechanical Data	
Enclosure	Macromelt, red / PA 6, black
Mounting	2 holes Ø 4,5 (for M4 screws)
Tightening torque (max.)	1Nm
Indication	3 LEDs (for diagnosis)
Shock and Swing	acc. to EN IEC 60947-5-2
Ambient temperature	-25°C ... +70°C
Storage temperature	-25°C ... +70°C
Maximum relative humidity	90 % @ 40 °C without condensation
Altitude	≤ 2000 m NHN
Connection	Cable
Mass	6075985070: 135 g, 6075980065: 27 g
Type of protection	IP67
Protection class acc. to EN IEC 61558	III
Pollution degree	3 (metallic pollution can cause impairments of the operating distances.)

Safety data (according to EN ISO 13849-1)	
Up to PL	e
Category	4
Service life	20 years
PFH	$2.05 \cdot 10^{-9}$ 1/h
MTTFd	High
SIL	3 (according to EN 62061:2005)

Standards	
	EN 60947-1, EN 60947-5-2, EN 61326-3-1
	EN ISO 13849-1, EN ISO 13849-2, EN 61508
	EN 60947-5-3, EN 60204-1, EN 61131-2, EN 62061
	ETSI EN 300330-1, ETSI EN 300330-2

EU-Conformity	
	according to Directive 2006/42/EG
	according to Directive 1999/5/EG

Approvals	
	TÜV Nord