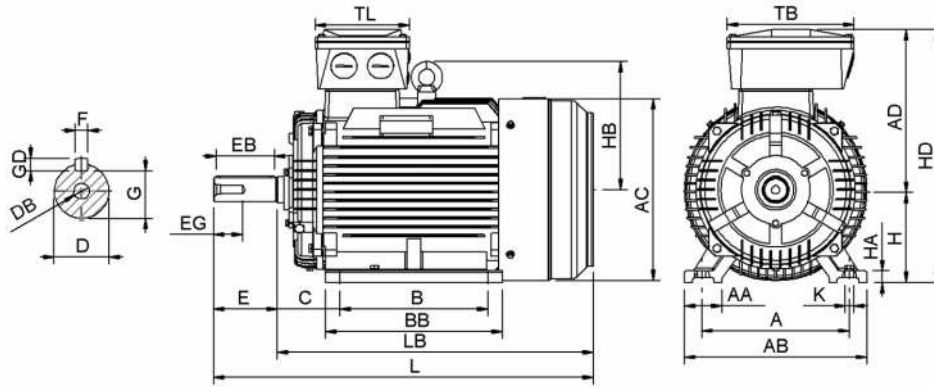


Data Sheet

Itemnumber....: 5521602100



A = 254	AC = 313	BB = 304	DB = M16	EG = 36	GD = 8	HB = 221	L = 654	TB = 218
AA = 65	AD = 276	C = 108	E = 110	F = 12	H = 160	HD = 436	LB = 544	TL = 162
AB = 314	B = 254	D = 42	EB = 100	G = 37	HA = 20	K = 4	LE = 639	

<p>Version Type.....: HMC3 160L-2 Design.....: Induction motor Standard series.....: IEC 60034 Phase / Voltage range.....: 3~ / Low</p> <p>Electrical design Efficiency.....: IE3 Pole.....: 2 Power at 50 Hz (kW).....: 18,5 Hz.....: 50 Voltage.....: 400VD/690VY Winding voltage.....: 400VD/690VY 50 Hz Power output (kW).....: 18,5 Duty.....: S1 Insulation class.....: F Temperature rise.....: B</p> <p>Motor protection Thermal protection main....: PTC 3x 155 dgr Thermal protection second.: None Space heater.....: None Temperature detector.....: No SPM.....: No IR wire.....: No Tropical insulation.....: No</p> <p>Explosion protection According to.....: None Type of protection.....: None</p> <p>General Direction of rotation.....: CW Painting.....: RAL 9005 Gloss 10 Nameplate.....: Multivoltage Special packing.....: No Special requirements.....: No</p>	<p>Mechanical design Frame size.....: 160 Mounting.....: B3 Rain cap.....: No Protection class.....: IP55 Cooling method.....: IC411/TEFC External grounding.....: Yes Drain hole.....: Yes Frame material.....: Cast Iron Material approval.....: None Shaft.....: IEC standard Key.....: Closed key Balancing.....: Half key balancing Vibration class.....: Grade-A Weight (kg).....: 150</p> <p>Environment condition Ambient temp. min. (°C)..: -20 Ambient temp. max. (°C)..: 40 Altitude (mtr up to).....: 1000</p>	<p>Bearing DE Bearing.....: 6309-ZZ/C3 NDE Bearing.....: 6309-ZZ/C3 Fixed bearing.....: DE</p> <p>Terminal box Tbox position.....: Top Cable entry direction.....: Right (from DE) Cable entry Main.....: 2 x M40x1,5 Metal blindcaps Accessory.....: 2 x M20x1,5 Metal blindcaps Connection type.....: Delta (D) Terminal board thread.....: 6-M6</p> <p>Test values Rotor inertia (kgm²).....: 0,083 Noise level (dB(A)).....: 78 No load current (A).....: 9,45 Winding resist. (ohm).....: 0,34 Starting time (sec.).....: 0,13 Temp. rise winding (K).....: 59 Temp. rise surface (K).....: 38</p>
--	---	---

Rated power (kW)	18,5	18,0	22,2	21,6
Frequency (Hz)	50	50	60	60
Voltage (V)	400 690	380 660	480 830	440
Connection	D Y	D Y	D Y	D
Full load current (A)	32,0 18,6	33,0 19,2	32,0 18,6	33,0
Speed (rpm)	2960	2960	3550	3550
Power factor cos(phi)	0,91	0,91	0,91	0,91
Efficiency, 100/75/50 (%) . .	92,5/92,5/91,4	92,5/92,5/91,4	92,5/92,5/91,4	92,0/92,0/90,8
Ist/In	10,6	9,4	10,6	9,9
Full load torque (Nm)	60,0	58,0	60,0	58,0
Tst/Tn	3,2	3	3,2	2,8
Tmax /Tn	4,3	4	4,3	3,8
Duty	S1	S1	S1	S1
Ambient temp. (°C)	40	45	40	45