

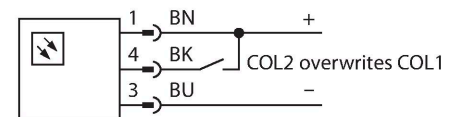
WLS28-2XWB-570L25XQ

Work Light – Linear Light

Features

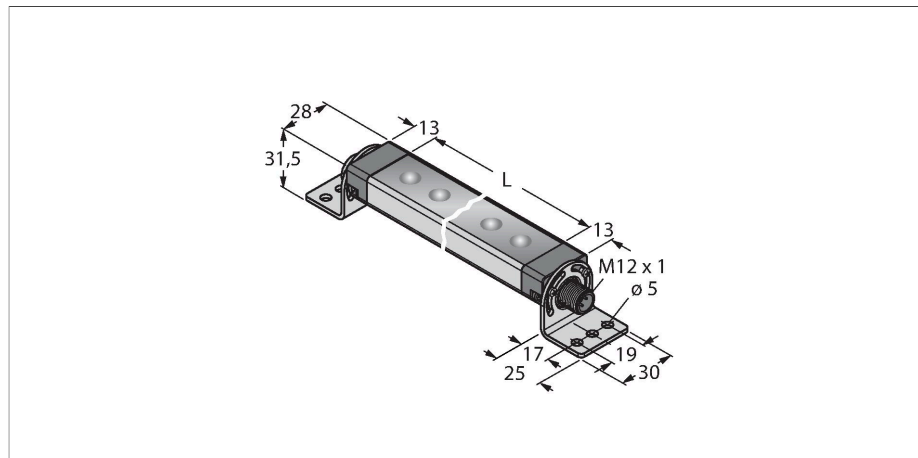
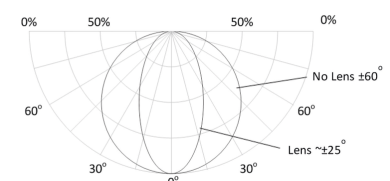
- Light beam: 570 mm
- Operating voltage: 12...30 VDC
- Protection class: IP50
- Opening angle: 25° with lens
- Color 1: Daylight white (100% light intensity)
- Color 2: blue (100% light intensity)
- Two-color linear light
- M12 x 1 male, straight, 4-pin
- Window with 25-degree lens
- SMBWLS28RA mounting bracket included in delivery

Wiring diagram



Functional principle

The energy-efficient LED work lights are ideally suited for industrial applications. The color temperature is between 4,700 and 5,300 Kelvin (cool white). Depending on the model, the luminous flux is 475 or 1900 lumen. Some work lights are switched on/off via supply power (10...30 VDC) and some types by means of a button directly at the LED lamp. In addition, the LED can be switched to second color by activating a high signal on PIN 4, or for the variants with a switch by means of a further switch position. This additional color can be selected with either 100, 50 or 33% light intensity. Cascadable variants are also available. Variants with a clear or diffuse plastic windows, as well as with an aperture angle of 25°.



Technical data

Type	WLS28-2XWB-570L25XQ
ID	3094325
Signal and display data	
Purpose	LED work light
Function	Linear light
Light type	White/Blue
Luminous flux lumen	1300 lm
Aperture angle degree	25°
Beam angle	25°
LED service life (L70)	50000 h
Dimmable	Two-stage
Features of color 1	White, Permanently on, 100 %, 950 lm
Features of color 2	Blue, Permanently on, 100 %, 220 lm
Electrical data	
Operating voltage	12...30 VDC
DC rated operational current	≤ 1360 mA
Input power	16.32 W
Mechanical data	
Cascadable	No
Design	Rectangular, WLS28-2
Dimensions	608 x 28 x 32.2 mm
Housing material	Metal, AL
Window material	Acrylic, clear
Electrical connection	Connector, M12 × 1, PVC
Number of cores	4
Ambient temperature	-40...+70 °C

Technical data

Storage temperature	-40...+70 °C
Relative humidity	0...90 %
Protection class	IP50
Tests/approvals	
Approvals	CE, UL

Accessories

<p>SMBWLSMAG</p>	<p>3019574</p> <p>Magnetic mounting bracket for mounting on metallic surfaces, for mounting WLS28 work lights</p>	<p>SMBWLS28RA</p>	<p>3015764</p> <p>Mounting bracket, angled, metal, for WLS28 work lights, 5 mm drill holes, screw set included</p>
<p>SMBWLS28SP</p>	<p>3088063</p> <p>Snap bracket for mounting WLS28 work lights</p>		

Accessories

Dimension drawing	Type	ID	
	<p>RKC4.4T-2/TEL</p>	<p>6625013</p>	<p>Connection cable, female M12, straight, 4-pin, cable length: 2 m, sheath material: PVC, black; cULus approval; other cable lengths and qualities available, see www.turck.com</p>
	<p>WKC4.4T-2/TEL</p>	<p>6625025</p>	<p>Connection cable, female M12, angled, 4-pin, cable length: 2 m, sheath material: PVC, black; cULus approval; other cable lengths and qualities available, see www.turck.com</p>