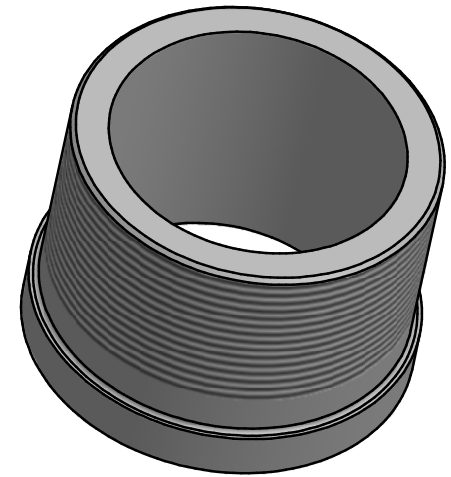
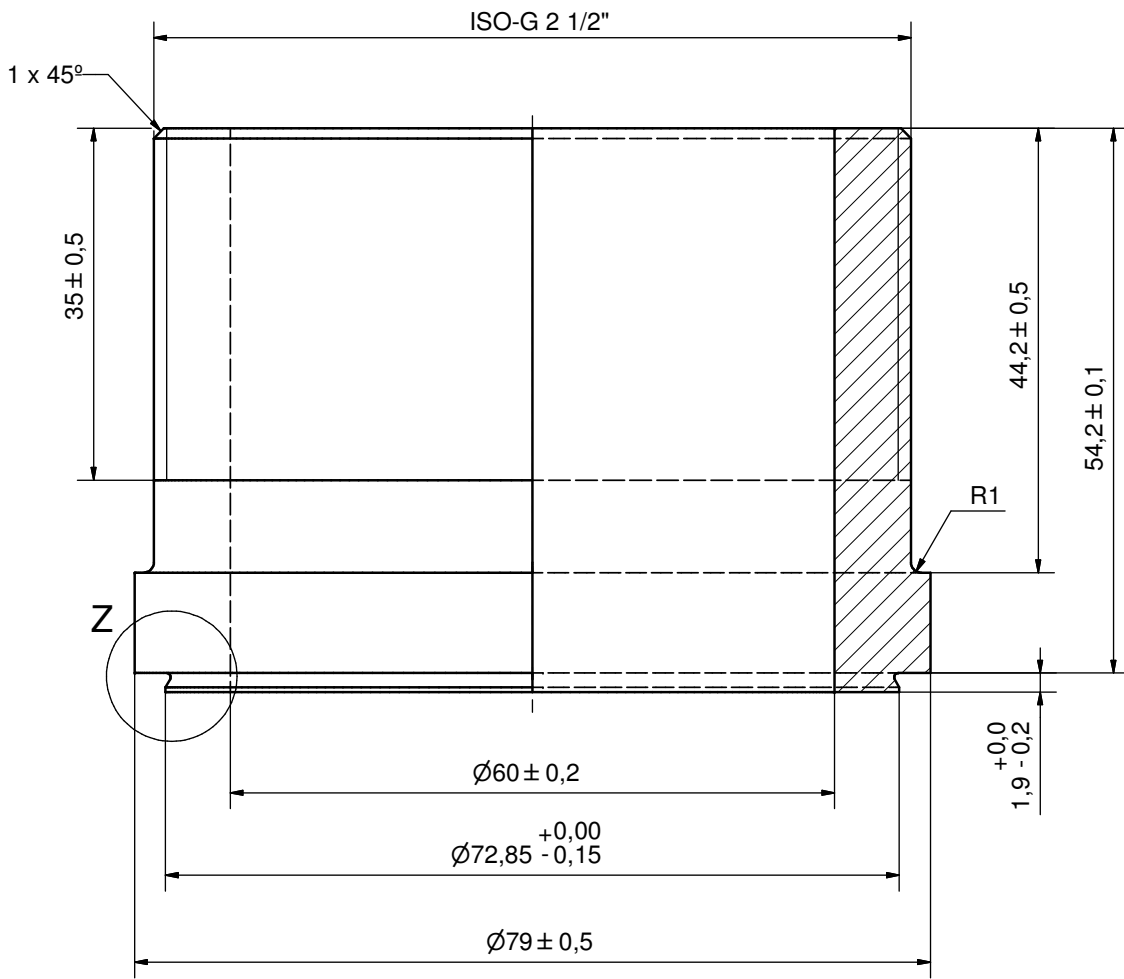
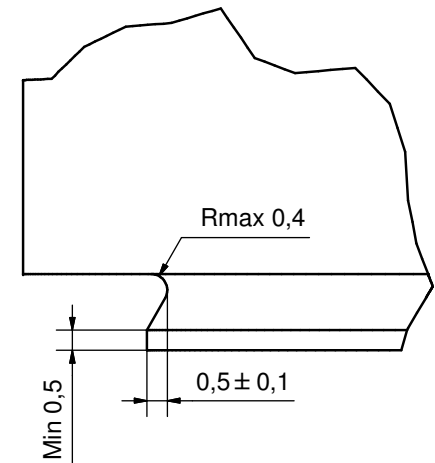


Rev No.	Alteration	Date	Checked	Approved
4	ADDED DEBURR AND MATERIAL INFO	2009/08/06	RJ	PDM




Z (8 : 1)



DEBURR SHARP EDGES; MAX 0.4

ACCORDIN TO MQS
MATERIAL

Drawn	Checked	Approved	Created Date	General geometrical tolerancing ISO 2768	General surface finish R _a	Scale
EG	TOD	BOS	1997-02-17	m	3.2	-
			ISO-G 2 1/2			
Article number		Drawing number		Revision	Sheet	
-		CD000288		4	1 (1)	