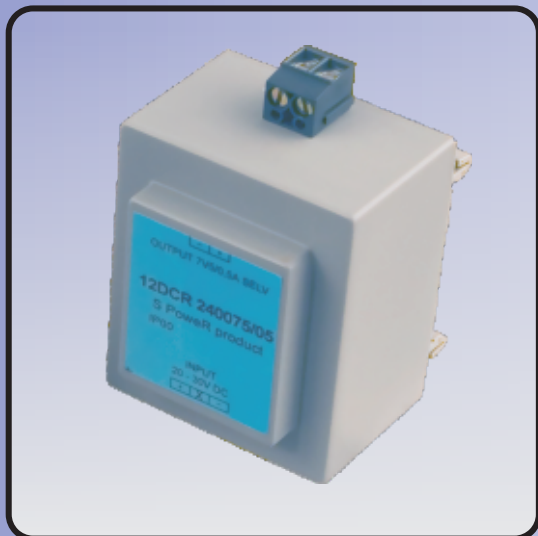




DC/DC Converters

12DCR series

Max. output power 10W



This product is intended for general use to feed electric and electronic devices in covered rooms, in environments without risk of explosion.

DIN-rail mounting

Stabilized output voltage

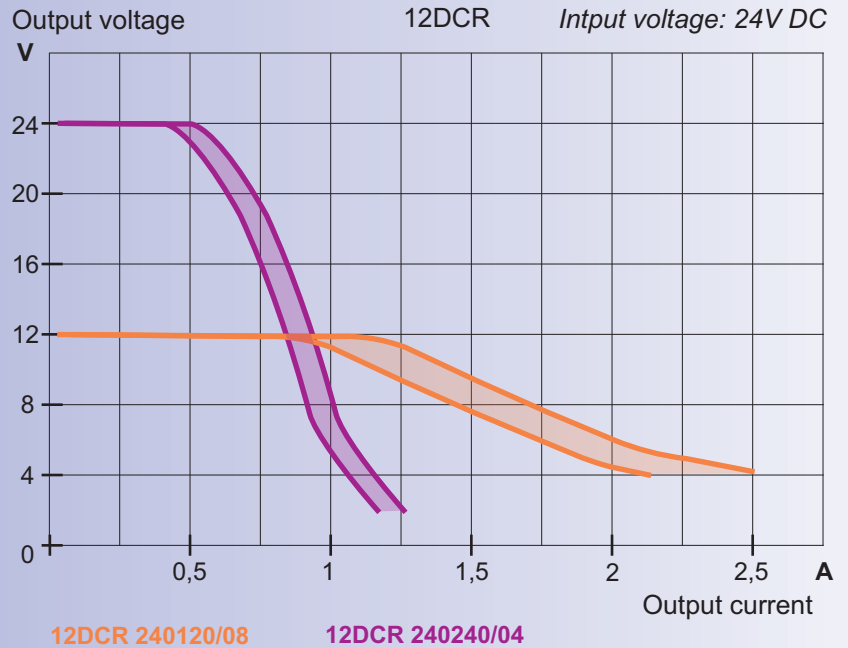
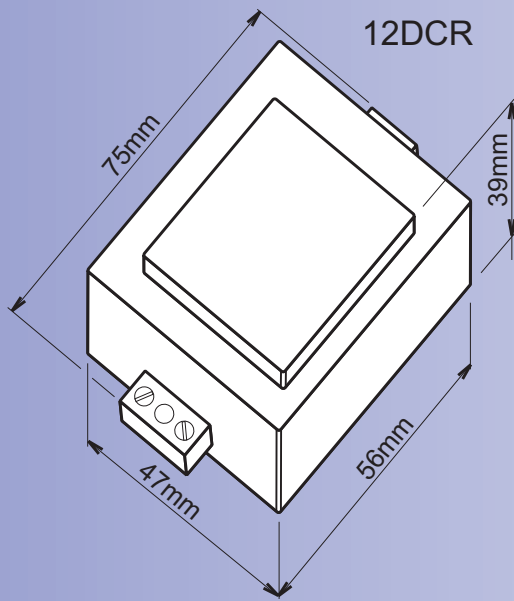
Voltage range from 5V to 48V

Input - clamps

Output - clamps

Protection degree IP00

	Input voltage	Output voltage	Output current	Stability	Noise p-p max.
12DCR120050/10	10 - 20 VDC	5 V	1 A	1 %	<100 mV pp
12DCR120069/07	10 - 20 VDC	6,9 V	0,7 A	1 %	<100 mV pp
12DCR120120/04	10 - 20 VDC	12 V	0,4 A	1 %	<100 mV pp
12DCR120138/035	10 - 20 VDC	13,8 V	0,35 A	1 %	<100 mV pp
12DCR120150/03	10 - 20 VDC	15 V	0,3 A	1 %	<100 mV pp
12DCR120240/02	10 - 20 VDC	24 V	0,2 A	1 %	<100 mV pp
12DCR120276/015	10 - 20 VDC	27,6 V	0,15 A	1 %	<100 mV pp
12DCR120480/01	10 - 20 VDC	48 V	0,1 A	1 %	<100 mV pp
12DCR240050/10	20 - 35 VDC	5 V	1 A	1 %	<100 mV pp
12DCR240069/10	20 - 35 VDC	6,9 V	1 A	1 %	<100 mV pp
12DCR240120/08	20 - 35 VDC	12 V	0,8 A	1 %	<100 mV pp
12DCR240138/07	20 - 35 VDC	13,8 V	0,7 A	1 %	<100 mV pp
12DCR240150/06	20 - 35 VDC	15 V	0,6 A	1 %	<100 mV pp
12DCR240240/04	20 - 35 VDC	24 V	0,4 A	1 %	<100 mV pp
12DCR240276/03	20 - 35 VDC	27,6 V	0,3 A	1 %	<100 mV pp
12DCR240480/02	20 - 35 VDC	48 V	0,2 A	1 %	<100 mV pp
12DCR480050/10	35 - 60 VDC	5 V	1 A	1 %	<100 mV pp
12DCR480069/10	35 - 60 VDC	6,9 V	1 A	1 %	<100 mV pp
12DCR480120/08	35 - 60 VDC	12 V	0,8 A	1 %	<100 mV pp
12DCR480138/07	35 - 60 VDC	13,8 V	0,7 A	1 %	<100 mV pp
12DCR480150/06	35 - 60 VDC	15 V	0,6 A	1 %	<100 mV pp
12DCR480240/04	35 - 60 VDC	24 V	0,4 A	1 %	<100 mV pp
12DCR480276/03	35 - 60 VDC	27,6 V	0,3 A	1 %	<100 mV pp
12DCR480480/02	35 - 60 VDC	48 V	0,2 A	1 %	<100 mV pp



Converters are intended to feed electric and electronic devices with direct voltage. Output is galvanically separated, therefore it is possible to use them as power supplies of negative voltage, eventually by connecting multiple converters together use them to create power supplies of symmetrical voltage or multilevel power supplies. Output voltage can be within 5 V to 48 V. Rated output voltages and correspondent max. output currents are listed in table. Converter is protected against short-circuit on output and reversal of poles on input clamps. It is manufactured with three ranges of input voltages listed in table. Connection of input and output wires is realized by screw clamps.

TECHNICAL SPECIFICATION

Operating temperature	-15 °C to +40 °C
Operating relative humidity of environment	max. 75%
Short-circuit protection on output	< 1 min. (short-term)
Insulation voltage	500 V AC
Weight	90 g
Protection degree	IP00
Safety class	III
EMC standards	EN 61000-6-3: EN 61000-6-2: