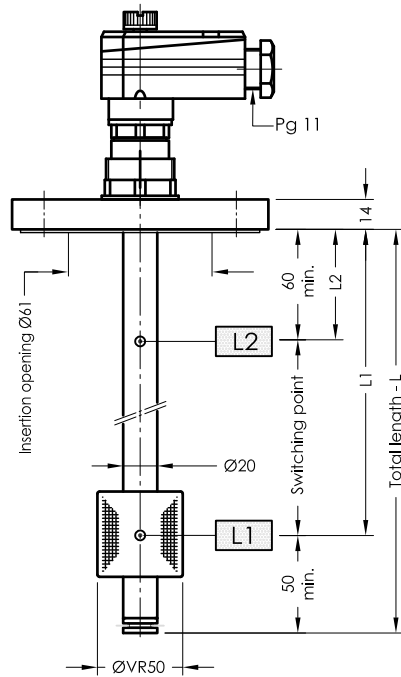


NR 6/32 - TMA

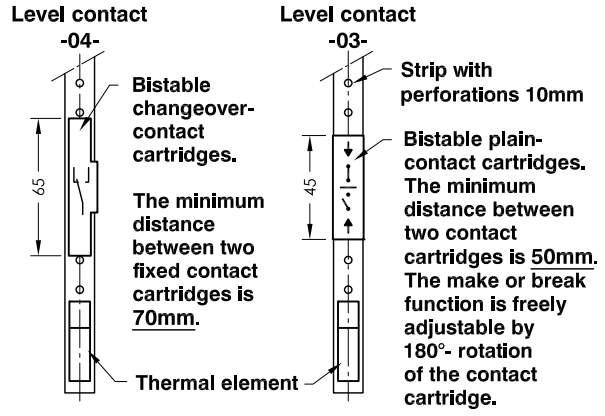
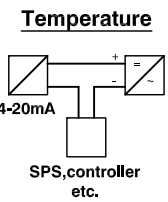
Level temperature regulator for tank Insert
Temperature output 4-20 mA

serial No. Date
MA-GB- 305 04/18



Pin assignment

- Plug securing power supply**
- 1 = Temperature
 - 2 = +24V DC
 - 3 = combined L1-L3
 - 4 = L1
 - 5 = L2
 - 6 = L3

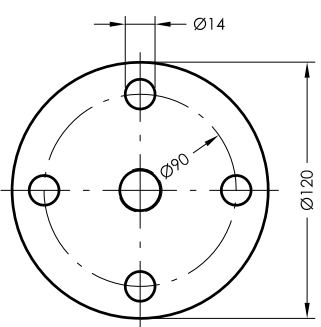


Specimen order
NR 6/32 -TMA - VR50 - L300 - 03 - L1/200/S - MS - M12

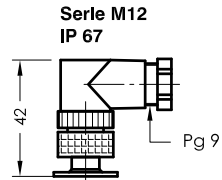
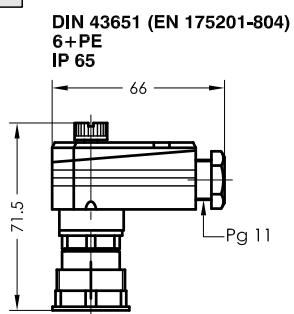
Float type VR50
Total length-L switching tube (mm)
Level contact type 03 = adjustable, plain
04 = adjustable, changeover

Switching point L1-L3/mm from sealing edge
Ö = break
S = make
W = changeover
Function with increasing level

Plug socket connector DIN 43651 M12
Execution MS = Brass
VA = Flange, Switching tube, Protective tube and float stainless steel



Connector variants



Technical data

Description

The level temperature regulator type NR 6/32 - TMA for tank Insert is a solenoid switch operating without contact with the function of monitoring and regulating liquid levels and temperatures. The switching tube contains bistable protective gas contacts. They may be fixed or alternatively mounted as an adjustable contact cartridge on a perforated strip. For fixed contacts, the contact intervals and their functions must be given. Plain contact cartridges can be subsequently adjusted for height. The function of make or break can then be altered by turning the cartridge through 180° degrees. The permanent magnet built into the float switches the contacts when the level changes. The switching difference (hysteresis) is 4 mm. For temperature monitoring, the temperature dependent signal emitted from a Pt100 resistor mounted in the contact tube is converted with the installed transducer into a temperature linear current change of 4-20mA. The level controller is maintenance-free when nondeposit media are used. For inductive loads, a protective circuit must be provided (free-wheeling diode/RC element). The device must only be installed by specialists.

Max. viscosity 320mm²/S

Technical data

Switching tube	brass or stainless steel max.L = 6000mm
Connection flange	aluminium or stainless steel with flat seal
Nominal pressure	10 bar max.,
Temperature of medium	100°C max.
Float	stainless steel VR50
Switching potential	Datasheet IN - GB - 003(004)
Operating voltage	12V ... 30V DC
Measuring range	4-20 mA = 0-100°C
Thermal element	Pt100
Number of functions	max. 4 can be incorporated
Load	RB = U-12V 20mA
Mounting position	vertical ± 30°

Other temperature ranges on request



GOLDAMMER
REGELUNGSTECHNIK GMBH

SCHÖLLERSHEIDER STR. 15 PHONE (49) 2104/12093
P.O.BOX 10 02 17 FAX (49) 2104/12028
D-40802 METTMANN www.Goldammer-Regelungstechnik.com