

Weco® Wing Unions

Figure 1002 Butt Weld (Schedule XXH)
7,500 psi (517 bar) CWP; 11,250 psi (776 bar) Test

Description		2 inch (50mm)	3 inch (80mm)	4 inch (100mm)
Complete union	Part No.	3253694	3240428	3254936
	lbs (kg)	15 (6.8)	22 (10.4)	33 (14.9)
	Price	CF	CF	CF
Nut	Part No.	3253693	3240914	3241596
	lbs (kg)	7 (3.2)	10 (4.5)	13 (5.9)
	Price	CF	CF	CF
Male sub	Part No.	3253267	3241605	3254938
	lbs (kg)	4 (1.8)	6 (2.7)	10 (4.5)
	Price	CF	CF	CF
Female sub	Part No.	3253268	3248183	3254937
	lbs (kg)	4 (1.8)	7 (3.2)	10 (4.5)
	Price	CF	CF	CF
Viton seal ring	Part No.	3232434	3232646	3232654
	Price	CF	CF	CF
A	Clearance radius, in. (mm)	3.81 (96.8)	4.31 (109.5)	4.88 (124)
B	Outside diameter, in. (mm)	2.38 (60.5)	3.50 (88.9)	4.50 (114.3)
C	End-to-end, in. (mm)	5.20 (132.1)	5.44 (138.2)	5.91 (150.11)
D	Inside diameter, in. (mm)	1.50 (38.1)	2.30 (58.4)	3.15 (80)

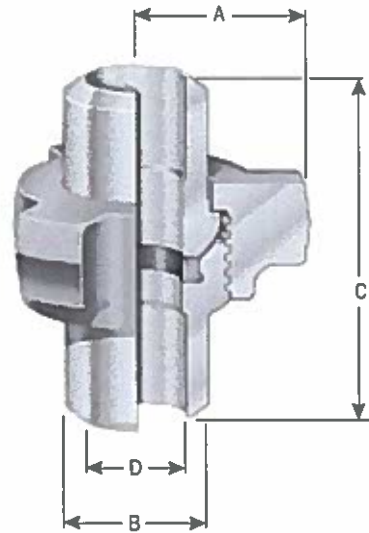


Figure 1002 Butt Weld (Schedule see below)
5,000 psi (345 bar) CWP; 7,500 psi (517 bar) Test

Description		5 inch (125mm)	6 inch (150mm)
Schedule		XXH	160
Complete union	Part No.	P508629	P508519
	lbs (kg)	57 (25.9)	83 (37.7)
	Price	CF	CF
Nut	Part No.	P508666	P508518
	lbs (kg)	26 (11.8)	37 (16.8)
	Price	CF	CF
Male sub	Part No.	3257700	P508283
	lbs (kg)	15 (6.8)	20 (9.1)
	Price	CF	CF
Female sub	Part No.	3257701	P508284
	lbs (kg)	16 (7.3)	26 (11.8)
	Price	CF	CF
Viton "O" ring	Part No.	3232387	3255971
	Price	CF	CF
A	Clearance radius, in. (mm)	6.16 (156.5)	7.00 (177.8)
B	Outside diameter, in. (mm)	5.56 (141.2)	6.63 (168.4)
C	End-to-end, in. (mm)	6.09 (154.7)	6.23 (158.2)
D	Inside diameter, in. (mm)	4.06 (103.1)	5.19 (131.8)

