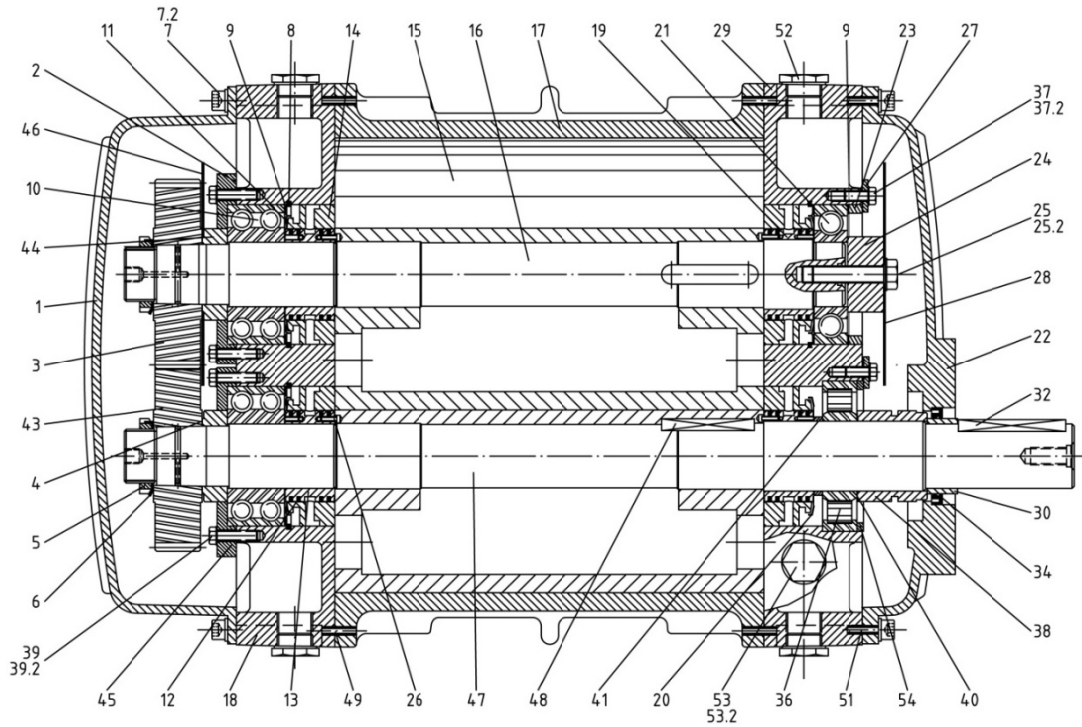




9.5 SEM 25/35/41 TR - DRG S.95.257-2



Pos	DESCRIPCION	Cant	Pos	DESCRIPCION	Cant
1	AR Rear cover	1	26	Screw M4x20	4
2	Blocking washer	16	27	Upper AV bearing clamp. Disc	8
3	Left gear	1	28	AV lubrication gear	1
4	Fitting washer	6	29	AV base	1
5	Washer	2	30	Hermetic bushing free shaft	1
6	Fixing washer	2	32	Pulley fixing cotter	1
7	Screw Allen M12x130	32	34	Oil seal	1
7.2	Washer M12		36	AV bearing (down)	1
8	Circlips	3	37	Hex Screw M10x25	8
9	Pressure washer	4	37.2	Washer M10	
10	AR Bearing	2	38	AV bearing supporting ring (inf.)	1
11	AR-AV (sup) Rotary disperser	3	39	Hex screw M10x35	8
12	Compression segment	16	39.2	Washer M10	
13	AR segment holder ring	2	40	Pressure washer	1
14	Fixed disperse on base	4	41	AV Bearing clamping disc	1
15	Piston	2	43	Right Gear	1
16	Upper shaft	1	44	Gear clamping disc	2
17	Stator	1	45	Bearing supporting cover	2
18	AR Base	1	46	AR greasing disc	1
19	AV Segment holder ring	2	47	Lower shaft	1
20	AV Rotary disperser	1	48	Piston locking key	2
21	AV Bearing (up)	1	49	Cylindrical pin	4
22	AV Cover	1	51	Cylindrical pin	2
23	AV Bearing up ext. Support. ring	1	52	Oil level indicator	2
24	Upper AV bearing clamp. disc	1	53	Stopper	10
25	Hex Screw M16x60	1	53.2	O-ring	
25.2	Washer M16	1	54	Lower AV Bearing clamping disc	1