

# Verderair

## VA40 metallic



VERDERAIR®

### Description

The VA40 metallic double diaphragm pumps are excellent pumps for use in a wide range of applications across many industries. The reliability of those pumps and especially the air valves, have been proven in many industries since many years. The pumps are available in 2 different materials for the pump body and 7 different materials for the diaphragms. This makes it possible to select the best solution for your application.

### Your benefits

- Easy to install, operate and maintain
- Less downtime
- Free of air lubrication
- Non-stalling air valve
- Can run-dry without damage
- Dry self-priming

### Technical data

Weight [kg]	Fluid & air section	AA	15,2		
		SA	32,7		
		SS	40		
Max. suction lift [mwc]		Dry	2,5		
		Wet	5,5		
Temperature [°C]	Fluid section	Internals	BN, GE, HY, SP, TO	5	65
			TF, VT	5	93
	A,S				
Max. Particle size [mm]			6,3		
Max. recommended viscosity (mPas)			15000		

### Code VA40 No.1 No.2 No.3 No.4. No.5 No.6 No.7

#### No.1 Fluid section

- ⚠ A = Aluminium
- ⚠ S = Stainless Steel

#### No.2 Air section

- A = Aluminium
- S = Stainless Steel

#### No.3 Check valve seats

- BN = Buna-N
- GE = Geolast
- HS = Hardened Stainless Steel
- HY = Hytrel (TPE)
- PP = Polypropylene
- SP = Santoprene

- SS = Stainless Steel
- VT = Viton (FKM)

#### No. 4 Check valve balls

- AC = Acetal
- BN = Buna-N
- GE = Geolast
- HS = Hardened Stainless Steel
- SP = Santoprene
- TF = Teflon
- VT = Viton (FKM)

#### No.5 Diaphragms

- BN = Buna-N
- GE = Geolast

- HY = Hytrel (TPE)
- SP = Santoprene
- TF = PTFE/Santoprene 2 piece
- TO = PTFE/EPDM overmolded
- VT = Viton (FKM)

#### No. 6 Connections

- TB = Threaded BSP
- TN = Threaded NPT

#### No. 7 Options

- OO = Standard
- RE = Remote

#### EXAMPLE PUMP TYPE

**VA40AA GE GE GE TB OO**

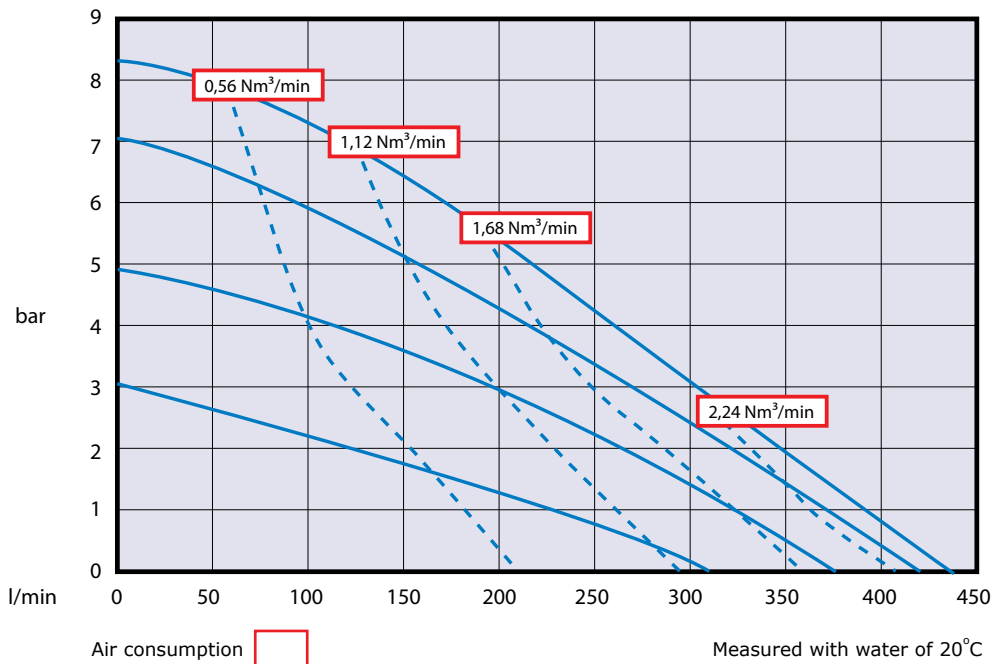
NOTE not all combinations are available

# Verderair

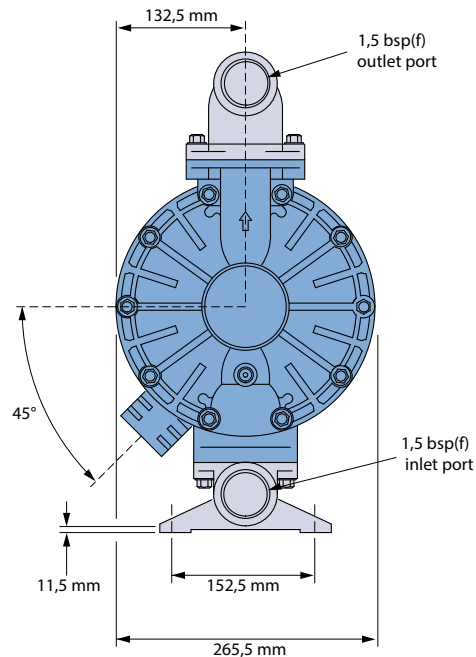
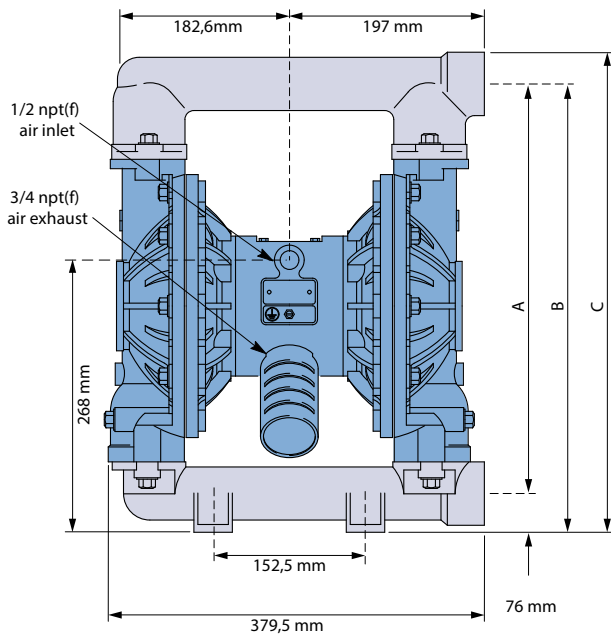
## VA40 metallic



VERDERAIR®



	Dimensions Aluminum pumps	Dimensions SST pumps
<b>A</b>	427 mm	412,5 mm
<b>B</b>	465 mm	451,0 mm
<b>C</b>	497 mm	482,5 mm



VA40met\_Technosheet\_rev02\_2015\_(eu)

All dimensions are in mm.  
All dimensions are for guidance only.

Find your local supplier  
at [www.verderair.com](http://www.verderair.com)

For construction, installation and floor mounting drawings  
please contact your local authorised Verderair® distributor.

**VERDER**  
passion for pumps

