



RFID Transponder

IQC24-27-T12

- Operating frequency 13.56 MHz
- Conforms to ISO 15693
- 64 bit Fixcode
- 992 bytes memory freely available
- Readable and writable from both sides
- Degree of protection IP67
- High temperature rated to 140 °C

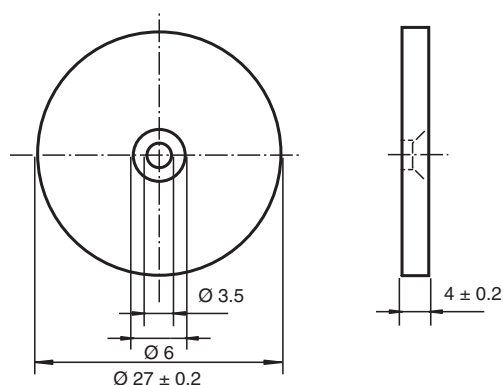
Data carrier



Application

The transponder can be read and written from either side.

Dimensions



Technical Data

General specifications

Operating frequency	13.56 MHz
Transfer rate	26 kBit/s

Memory

Chip Type	my-d SRF 55V10P (Infineon)
EEPROM	992 Byte
UID	64 Bit
Memory organization	4 bytes/block
Read cycles	unlimited
Write cycles	10000 @ 70 °C, 1000000 @ <40 °C
Data retention period	10 years @ 40 °C (104 °F)

Directive conformity

Radio equipment	
Directive 2014/53/EU	EN 300330
RoHS	
Directive 2011/65/EU (RoHS)	IEC/EN 63000

Standard conformity

Degree of protection	EN 60529
----------------------	----------

Release date: 2022-12-15 Date of issue: 2022-12-15 Filename: 911843_eng.pdf

Refer to "General Notes Relating to Pepperl+Fuchs Product Information".

Pepperl+Fuchs Group
www.pepperl-fuchs.com

USA: +1 330 486 0001
fa-info@us.pepperl-fuchs.com

Germany: +49 621 776 1111
fa-info@de.pepperl-fuchs.com

Singapore: +65 6779 9091
fa-info@sg.pepperl-fuchs.com

PEPPERL+FUCHS

Technical Data

RFID	ISO/IEC 15693-1 ISO/IEC 15693-2 ISO/IEC 15693-3 ISO/IEC 18000-3
Ambient conditions	
Ambient temperature	-25 ... 125 °C (-13 ... 257 °F)
Storage temperature	-40 ... 140 °C (-40 ... 284 °F)
Mechanical specifications	
Housing height	4 mm
Housing diameter	27 mm
Degree of protection	IP67
Material	
Housing	Epoxy resin
Installation	
In air	yes
Mass	5 g
Construction type	Cylindrical

Mounting

High temperatures will cause the housing to expand.
If the housing is assembled under mechanical stress, the resulting pressure may damage the tag.
Install the tag loosely to allow for expansion due to high temperatures.