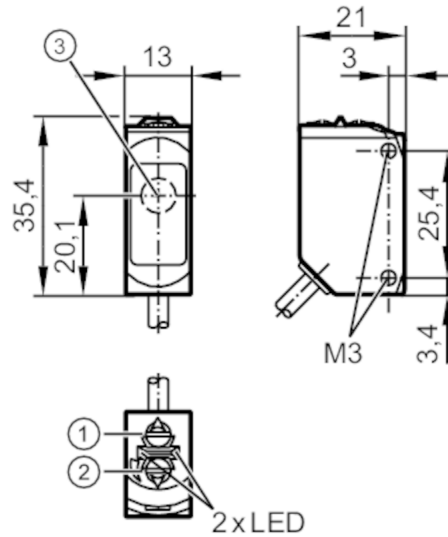


O6E205



Through-beam sensor receiver

O6E-FNKG/0,30m/US



- 1 output function switch
- 2 potentiometer sensitivity
- 3 Light incidence



Product characteristics

Type of light	red light
Housing	rectangular

Application

Function principle	Through-beam sensor
--------------------	---------------------

Electrical data

Operating voltage	[V]	10...30 DC
Current consumption	[mA]	7; ((24 V))
Protection class		III
Reverse polarity protection		yes
Type of light		red light
Wave length	[nm]	633

Outputs

Electrical design		NPN
Output function		light-on/dark-on mode; (selectable)
Max. voltage drop switching output DC	[V]	2.5
Permanent current rating of switching output DC	[mA]	100
Switching frequency DC	[Hz]	1000
Short-circuit protection		yes
Type of short-circuit protection		yes (non-latching)

O6E205



Through-beam sensor receiver

O6E-FNKG/0,30m/US

Monitoring range	
Transmitter / receiver	receiver
Range [m]	< 10
Range adjustable	yes

Operating conditions	
Ambient temperature [°C]	-25...60
Protection	IP 65; IP 67

Tests / approvals	
EMC	EN 60947-5-2
MTTF [years]	956
UL approval	UL approval number E012

Mechanical data	
Weight [g]	32.9
Housing	rectangular
Dimensions [mm]	35.4 x 13 x 21
Material	housing: ABS; PPSU; sealing: EPDM
Lens material	PMMA
Lens alignment	Side sensing
Tightening torque [Nm]	0.5

Displays / operating elements		
Display	Switching status	1 x LED, yellow
	Power	1 x LED, green

Remarks	
Remarks	cULus - Class 2 source required
Pack quantity	1 pcs.

Electrical connection

Cable: 0.3 m, PUR; 3 x 0.25 mm²

Connector: 1 x M12; coding: A



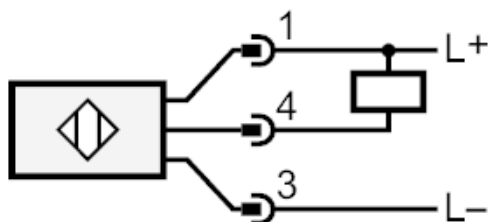
O6E205



Through-beam sensor receiver

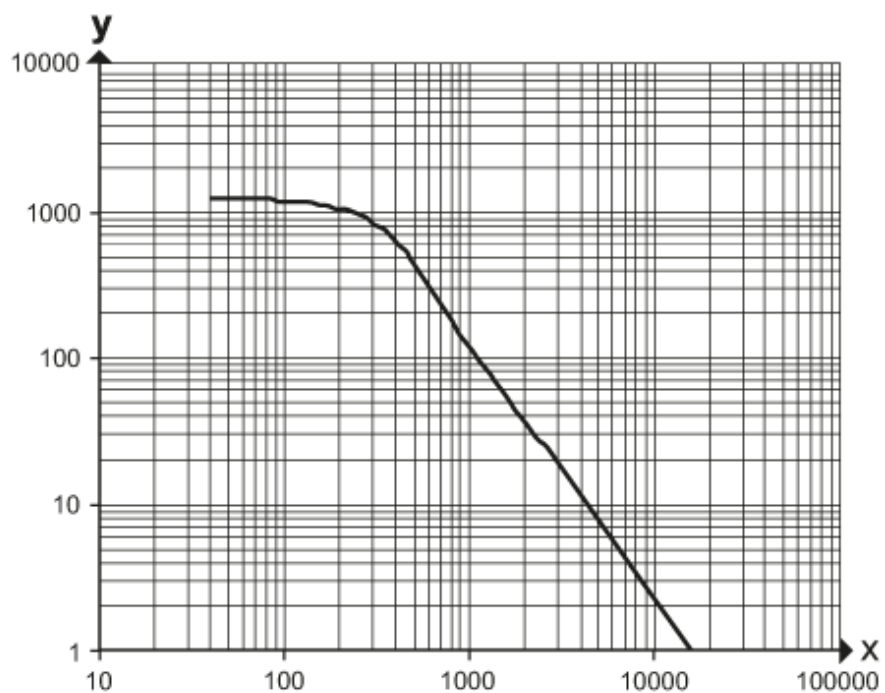
O6E-FNKG/0,30m/US

Connection



Diagrams and graphs

excess gain graph



x: distance [mm]

y: excess gain factor