

# 640 SERIES

## Straight Line Action Clamps | Product Overview

### Features:

- For heavy duty push/pull clamping
- Longest stroke of our Straight Line Action Clamps
- Allow handle to rotate and fall below mounting plane to lock in retracted position
- Available with DESTACO® Toggle Lock Plus™

### Applications:

- Assembly & test
- Welding
- Tensioning devices

### Also Available:

See page MC-ACC-1 for accessories

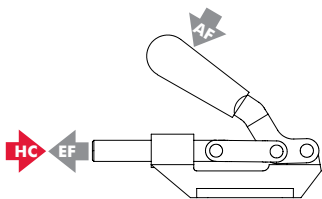
640  
640-M



640-R  
640-MR  
with  
DESTACO®  
Toggle Lock  
Plus™

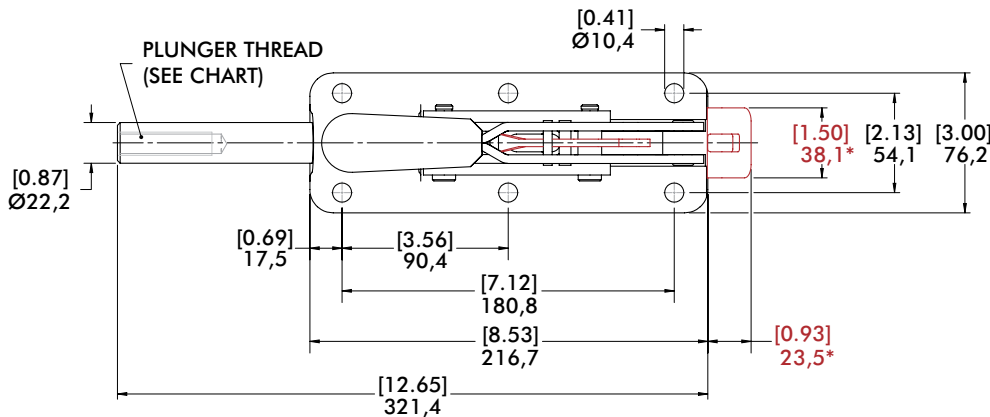


## Technical Information | Holding Capacities | Dimensions

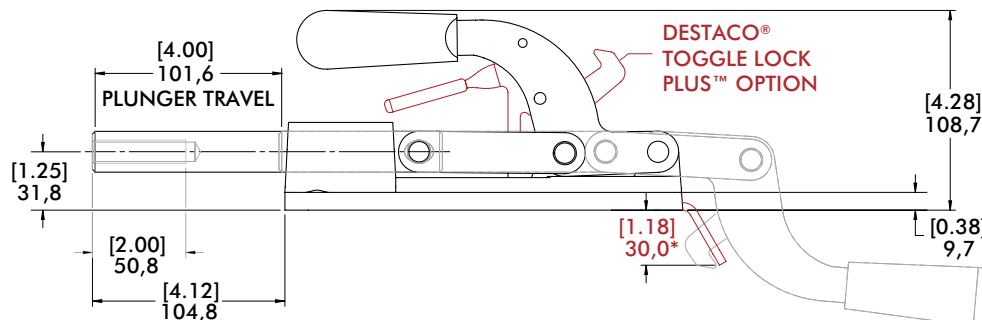


Model	Max. Holding Capacity	Weight	EF:AF (pushing)	Plunger Travel	(M) Plunger Thread	Recommended Spindle (Not Supplied)
640					1/2-13	220203
640-M	[7,500 lbf] 33400 N	[6.78lb] 3,08kg	35:1	[4.00] 101,6	M12	220203-M
640-R					1/2-13	220203
640-MR					M12	220203-M

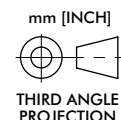
HC = Holding Capacity, EF = Exerting Force, AF = Applied Force



Extended (640-R shown)



Retracted (640-R shown)



(\* ) Dimensions above in **RED** applies to the **640-R/640-MR** only