

| Technical Data | | | | Item no. | Rev. | | |
|--------------------------------|-------------------------------|---|----------------------|--|---------------------------------------|-----------------------------------|-------------|
| NSCS 150-250/75/W65VCB4 | | | | Name | | | |
| Company name | | Receiver | | From | | | |
| Issued by | | | | | | | |
| Phone number | | | | | | | |
| Fax no. | | | | | | | |
| e-mail address | | | | | | | |
| Operating data | | | | | | | |
| 1 | Installation | Single pump operation | | Fluid | Water, pure | | |
| 2 | No. of pumps | 1 | | Operating temperature t A | °C 4 | | |
| 3 | Nominal flow | m³/h | 307 | pH-value at t A | 7 | | |
| 4 | Nominal head | m | 5.5 | Density at t A | kg/dm³ 1 | | |
| 5 | Static head | m | 0 | Kin. viscosity at t A | mm²/s 1.569 | | |
| 6 | Inlet pressure | bar | 0.098 | Vapor pressure at t A | bar 0.0083 | | |
| 7 | Environmental temperature | °C | 4 | Content of solid% | Solid size mm 0 0 | | |
| 8 | Available system NPSH | m | 0 | Altitude | m 0 | | |
| Pump data | | | | | | | |
| 9 | Pump designation | NSCS 150-250/75/W65VCB4 | | | | | |
| 10 | Design | Singlestage Blockpump | | Impeller Ø | Max. | mm 282 | |
| 11 | Execution | Standard Design (Type B) | | | designed | mm 276 | |
| 12 | Operating speed | 1/min | 975 | Flow | Min. | mm 253 | |
| 13 | Number of stages | 1 | | | Nominal | m³/h 334.1 (334.1) | |
| 14 | Suction nozzle | DN200 / PN16 / EN1092-2 (NSC) | | Max- | m³/h 400 | | |
| 15 | Discharge nozzle | DN150 / PN10/16/ EN1092-2 (NSC) | | Min- | m³/h 39.7 | | |
| 16 | Max. casing pressure | bar | 16 | Head | Nominal | m 6.5 | |
| 17 | Max. working pressure | bar | 1.1 | | at Qmax | m 4.3 | |
| 18 | Impeller type/Impeller design | Radialrad | Closed | | at Qmin | m 10.5 | |
| 19 | Head H(Q=0) | m | 11 | Shaft power | kW 7.3 (7.3) | | |
| 20 | Pump weight | kg | | Max. shaft power | kW 7.3 | | |
| 21 | Total weight | kg | 282 | Efficiency | % 80.76 | | |
| 22 | Bearing bracket | 42 | | NPSH 3% | m 2.1 | | |
| Materials | | | | | | | |
| 23 | Pump | | | Shaft Seal | | | |
| 24 | Impeller | Bronze, CC480K | | Single mechanical seal, without shaft sleeve | | | |
| 25 | Casing | Cast iron, 0.6025 | | MG12 | BQ1EGG | | |
| 26 | casing cover | Cast iron, 0.6025 | | 1. Rotating ring | Carbon, resinimpreganted | | |
| 27 | Wear ring | stainless steel, 1.4301 (1.4408) | | 2. Stationary ring | Silicon carbide pressureless sintered | | |
| 28 | Shaft | Stainless steel, 1.4057 | | 3. Secondary seal | Ethylen-Propylene-Dien-Elastomer | | |
| 29 | O-Ring | EPDM | | 4. Springs | CrNiMo - steel | | |
| 30 | Bearing frame | Cast iron, 0.6025 | | 5. Others | CrNiMo - steel | | |
| 31 | | | | | | | |
| 32 | | | | | | | |
| 33 | | | | | | | |
| 34 | | | | | | | |
| 35 | | | | | | | |
| 36 | | | | | | | |
| 37 | | | | | | | |
| Motor data | | | | Coupling | | | |
| 38 | Manufacturer | WEG | Electric voltage | 400 V | Manufacturer | | |
| 39 | Specific design | IE3 motors - Cast Iron Frame - Premium Efficiency | | | Series | | |
| 40 | Type | W22 - 160 M - 7,5kW | | | Type | | |
| 41 | Rated power | 7.5 kW | Electric current | 14.8 A | Frame size | | |
| 42 | Nominal speed | 975 1/min | Degree of protection | IP55 | Spacer length mm | | |
| 43 | Frame size | 160 M | Explosion protection | -- -- -- | Weight | kg | |
| 44 | Weight | 118 kg | Shaft diameter | 42 mm | Coupling protection | Werkstoff : | |
| Base plate | | | | Accessories | | | |
| 45 | Name | | | Piping | | | |
| 46 | Weight | kg | | heating jacket (casing) | <input type="checkbox"/> yes / no | | |
| Remarks | | | | heating jacket (casing cover) | | <input type="checkbox"/> yes / no | |
| 47 | | | | Constant level Oiler | <input type="checkbox"/> yes / no | | |
| 48 | | | | Anchorbolts | <input type="checkbox"/> yes / no | | |
| 49 | | | | | <input type="checkbox"/> yes / no | | |
| 50 | | | | | <input type="checkbox"/> yes / no | | |
| 51 | | | | | <input type="checkbox"/> yes / no | | |
| 52 | | | | | <input type="checkbox"/> yes / no | | |
| Project | | Project ID | | Created by | | Created on | Last update |
| | | | | | | 18/01/2019 | |

hydraulic
NSCS 150-250/75/W65VCB4

Item no.

Rev.

Name

Company name
Issued by
Phone number
Fax no.
e-mail address

Receiver

From

| | Ø mm | Pump capacity | | | Pump head | | Shaft power P2 | | | Impeller type | | Radialrad |
|--------|---------|------------------------------|-----------|----------------|-------------|-------------|----------------|---------|--------------|-------------------|------------------------------|-----------|
| | | Operating range Min. m³/h | Max. m³/h | η Max. m³/h | H(Q=0) m | η Max. m | P2(Q=0) kW | Max. kW | η Max. kW | Impeller design | Closed | |
| actual | 276 | 39.7 | 400 | 279 | 10.7 | 8.02 | | 7.34 | 7.27 | Sense of rotation | Clockwise from the drive end | |
| Min. | 253 | / | / | 241 | 8.75 | 6.61 | | / | 5.37 | Frequency | Hz 50 | |
| Max. | 282 | / | / | 287 | 11.2 | 8.48 | | / | 7.79 | Operating speed | 1/min 975 | |

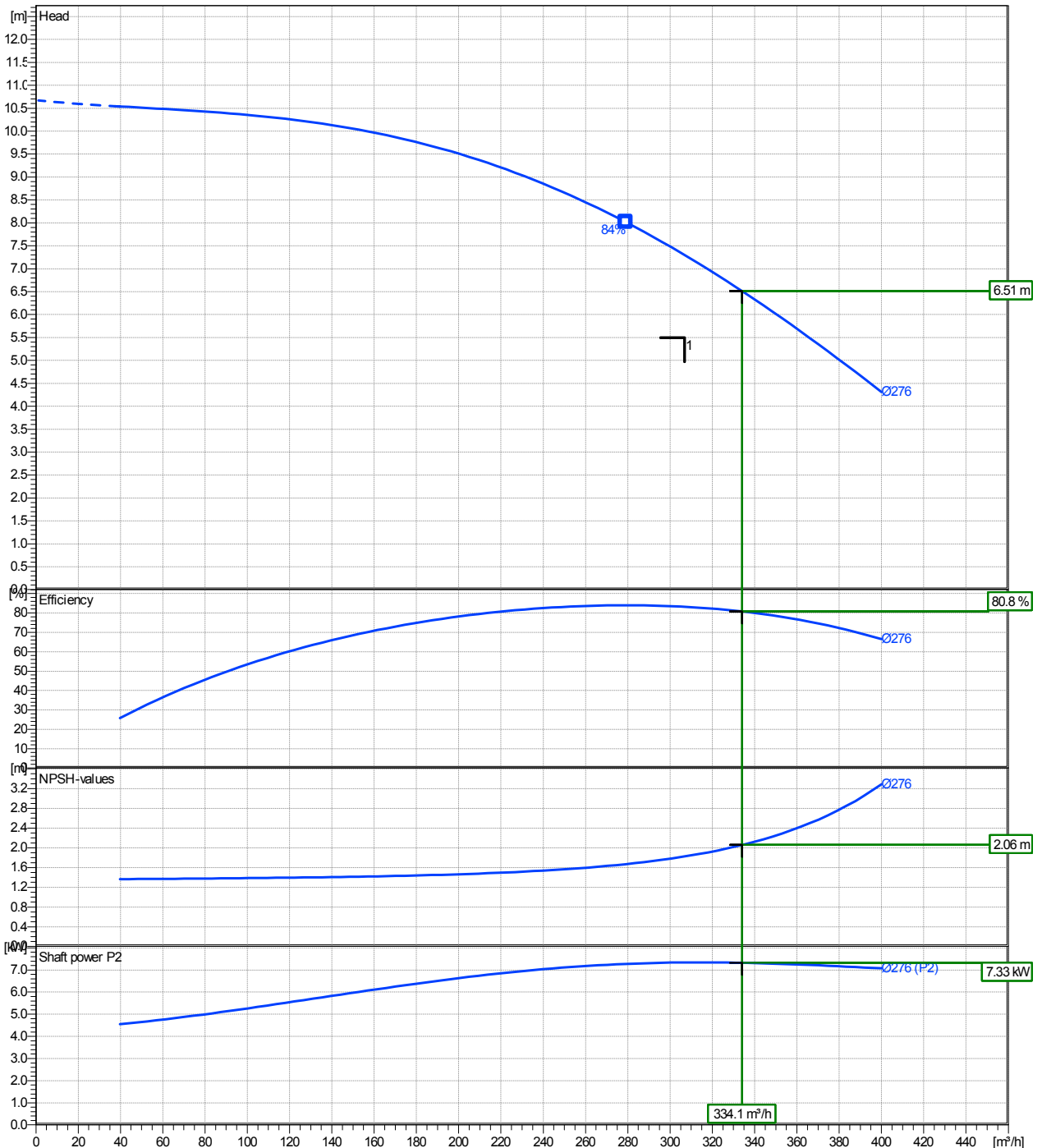
Power datas referred to:

hydr. Performance acceptance acc. To EN ISO 9906 Class

Water, pure [100%] ; 4°C; 1kg/dm³; 1.57mm²/s

Grade 3B

MEI: 0,68 - according to Ecodesign Directive 2009/125/EC and Regulation (EU) No.547/2012



| | | | | |
|---------|------------|------------|--------------------------|-------------|
| Project | Project ID | Created by | Created on 18/01/2019 | Last update |
|---------|------------|------------|--------------------------|-------------|

Dimensions

NSCS 150-250/75/W65VCB4

Company name
Issued by
Phone number
Fax no.
e-mail address

Receiver

From

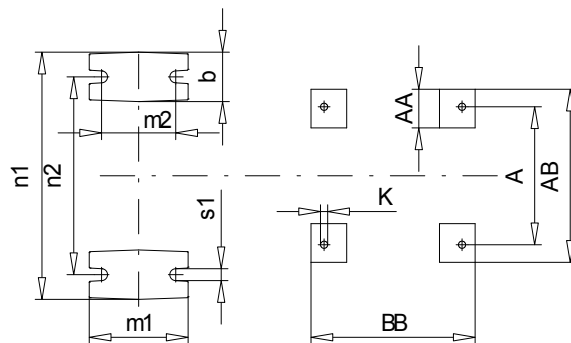
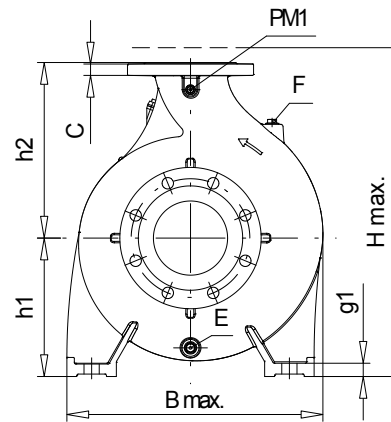
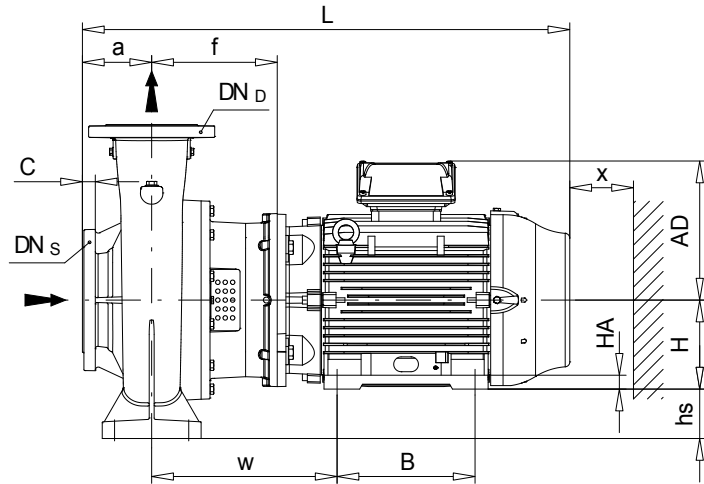
Monobloc
WEG W22 - 160 M - 7,5kW
IE3 motors - Cast Iron Frame - Premium Efficiency

Standard Design (Type B)

Dimensions

[mm] / [m³]

| | | | |
|------|------|---------|---------|
| a | 160 | L | 902 |
| AB | 308 | m1 | 200 |
| AD | 264 | m2 | 150 |
| b | 100 | n1 | 500 |
| Bmax | 567 | n2 | 400 |
| CTO | 0 | PM1 | 1/4" |
| DNd | 150 | s1 | 23 |
| DNs | 200 | Trim | 0 |
| E | 3/8" | Type | B |
| f | 254 | Volumen | 0.34778 |
| F | 3/8" | w | 362 |
| g1 | 26 | x | 140 |
| H | 160 | | |
| h1 | 280 | | |
| h2 | 400 | | |
| h3 | 0 | | |
| Hmax | 680 | | |
| hs | 120 | | |
| K | 14.5 | | |



PM1...Pressure gauge connector
E....Drain
F....Filling

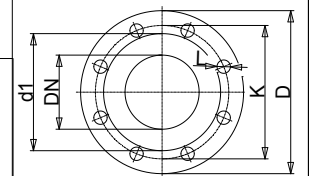
Weight (+/- 5%) [kg]

| | |
|--------------|-------|
| Pump | |
| Total weight | ~ 282 |

Connections

[mm]

| Suction nozzle | Discharge nozzle |
|----------------|------------------|
| DN200 | DN150 |
| PN16 | PN10/16 |
| EN1092-2 (NSC) | EN1092-2 (NSC) |
| C 30 | C 26 |
| D 345 | D 285 |
| d1 266 | d1 211 |
| K 295 | K 240 |
| L 23 | L 23 |
| z 12 | z 8 |



Value C, D may vary from Standard

Dimensions and weight without obligation

| | | | | |
|---------|------------|------------|--------------------------|-------------|
| Project | Project ID | Created by | Created on 18/01/2019 | Last update |
|---------|------------|------------|--------------------------|-------------|